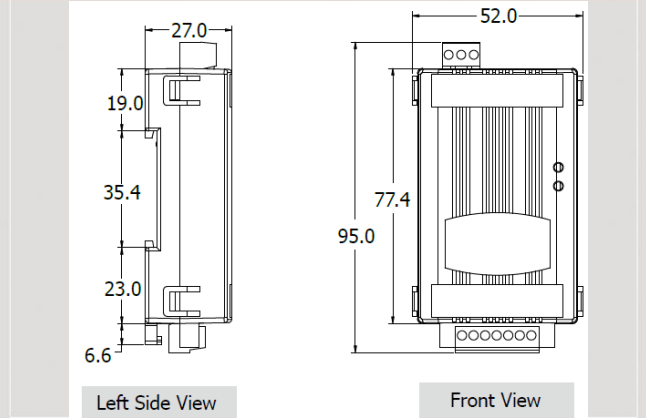




## RS-232/RS-422/RS-485 to Bluetooth 4.0 Converters



tBLE-720



Dimensions

The tBLE-720 module is designed for serial network like RS-232/422/485. It allow RS-232/422/485 interface to be converted to Bluetooth low energy (LE) piconet network. User can choose tBLE-720 or mobile device to do the connection, which provides Bluetooth LE data conversion between two devices. The tBLE-720 has two transmission modes – advertisement and connection mode. The tBLE-720 supports a lot of useful AT commands. They can set many parameters such as connection parameters, broadcast parameters and Bluetooth LE role.

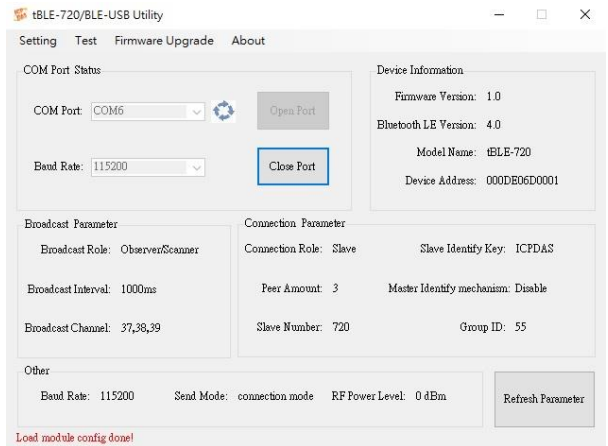
### Features

- Frequency: ISM 2.4 GHz
- Standard: Bluetooth 4.0
- Interface: RS-232, RS-422 and RS-485
- Baud Rate up to 115200 bps
- Wireless transmission range up to 20 meters(Line of Sigh)
- Supports OTA firmware upgrade
- Supports multiple connections – Max slave is 3
- Supports two types of communication- advertisements and connection
- Provides AT commands to setup the module
- Provides status / RF link indication LEDs
- Easy-to-use switch for baud rate and Bluetooth LE role setting
- Operating temperatures, -25 °C ~ +75 °C

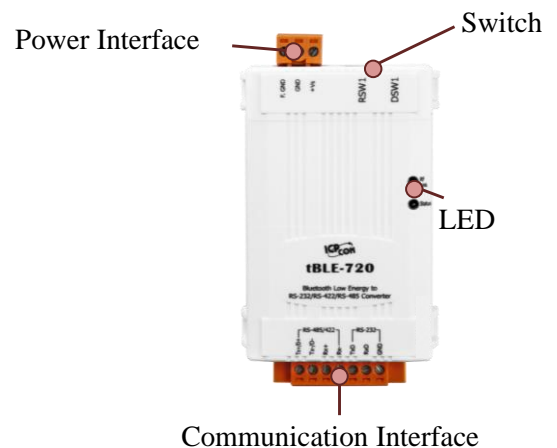
### Utility

ICPDAS provides the BLE-USB configuration utility for Windows OS.

- Parameters configuration
- Firmware upgrade
- Easy test to transmit/receive
- Setting files management



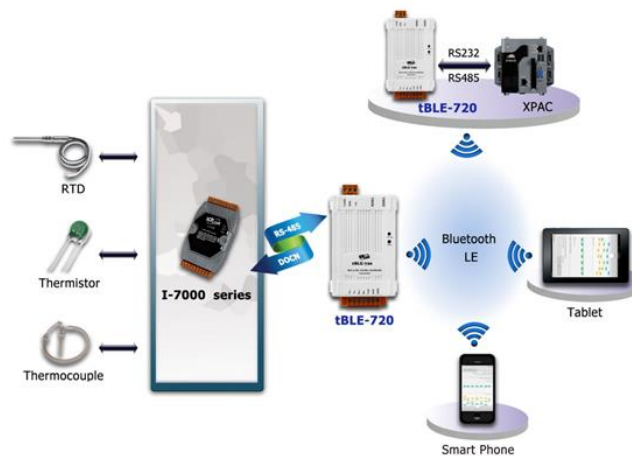
### Appearance



## Hardware Specifications

Hardware		
CPU	32 bit, Microprocessor	
LED indication	status / RF link	
RF Specification		
Tx power	-20~4 dBm @ 2.4 GHz ISM(2402~2480 MHz)	
Transmit Range	20 m (LOS)	
Max. Slaves	3	
Stack Version	Bluetooth 4.0	
Role	Central/Peripheral – connection mode observer /broadcaster – broadcast mode	
Communication Interface		
COM0	RS-232	TxD, RxD and GND
	RS-422	Tx+, Tx-, Rx+ and Rx-
	RS-485	Tx+ and Tx-
	Data Format	N,8,1
	Baud Rate	9600~115200 bps
Power		
Operating Voltage	+10 VDC ~ +30 VDC	
Power Consumption	1 W	
Mechanical		
Casing	Plastic	
Dimensions (W x L x H)	52mm x 95mm x 27 mm	
Environment		
Operation Temp.	-25°C ~ +75°C	
Storage Temp.	-25°C ~ +75°C	
Humidity	5~95% non-condensing	

## Applications



## Ordering Information

tBLE-720 CR

RS-232/RS-422/RS-485 to Bluetooth Low Energy Converter (RoHS)