



I-7188EA(D)

Standard Palm-sized Ethernet PAC with 80188-40 CPU, MiniOS7, 6 DI, 7 DO (7-Segment LED Display)

Features

- Built-in High Performance MiniOS7 from ICP DAS
- Easy-to-use Software Development Tool Kits (Using C language)
- Various Storage Media
 - 512 KB Flash
 - 2 KB EEPROM
- Various Communication Interfaces (Ethernet, RS-232/RS485)
- Built-in Digital Input/Output
 - 6 Digital Inputs
 - 7 Open-collector Outputs
- Built-in Watchdog Timer

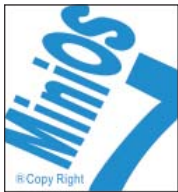


Introduction

The I-7188EA(D) is a palm-size programmable automation controller with RS-232/485 and Ethernet communication interfaces. There are 7-channel digital outputs and 6-channel inputs on the I-7188EA(D) to meet various I/O requirements. ICP DAS provides easy-to-use software development tool kits (XServer, Modbus libraries).

Users can use them to easily integrate serial devices to have Ethernet/Internet communication ability and through the standard Modbus protocol to communicate with SCADA software (Indusoft, ISaGARF, DasyLab, Trace Mode, Citect, iFix, etc.).

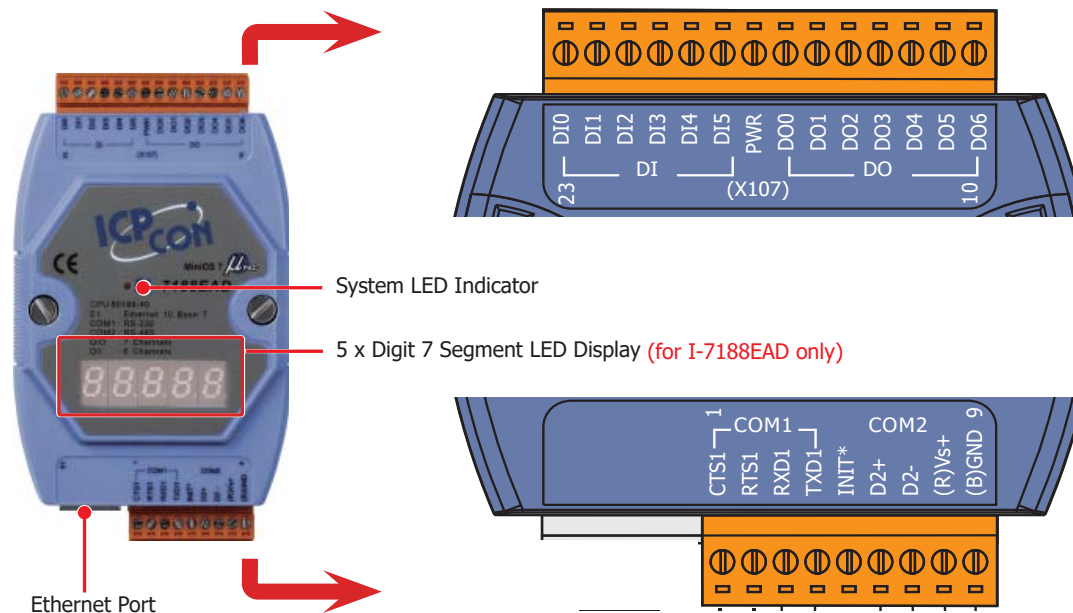
Powerful Embedded OS — MiniOS7



MiniOS7 is the most stable OS used in the last decade. Up to now, several hundred thousand copies with our PACs have been distributed worldwide.

- DOS-like embedded OS
- Antivirus ability
- Internet connectivity
- Libraries & demo programs for various peripherals, devices and remote I/O modules
- Short boot time period (<1 Second)
- Less memory resource required
- Faster watchdog response time

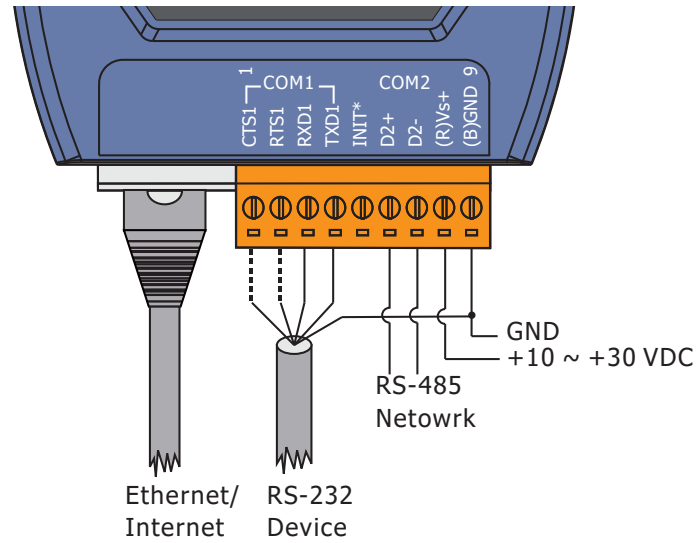
Appearances



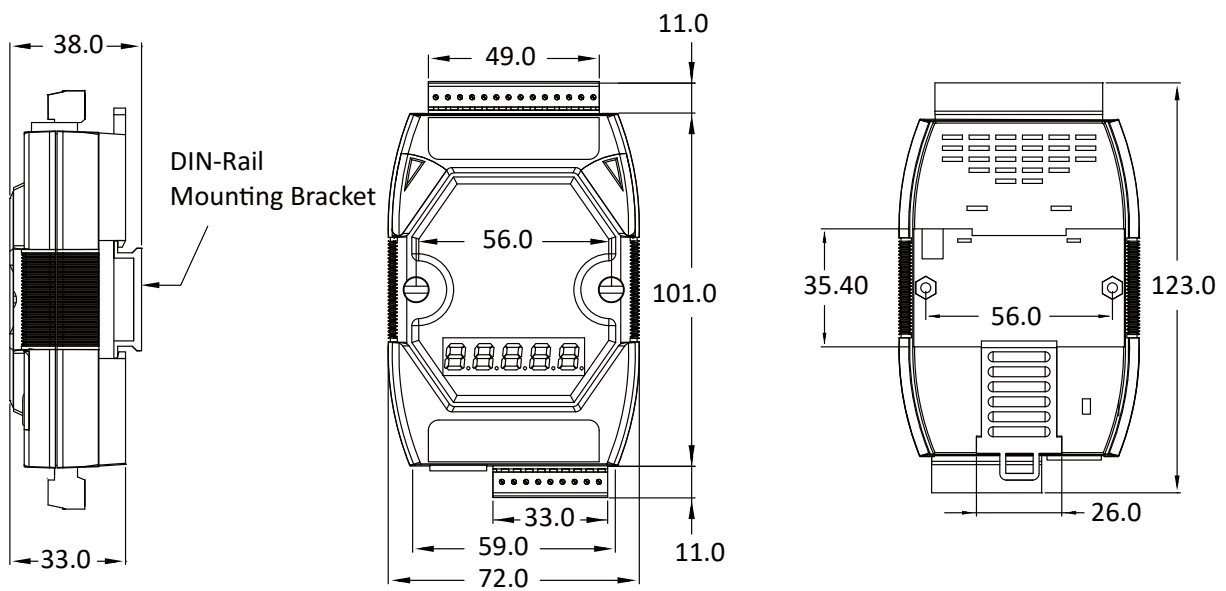
Specifications

Model	I-7188EA	I-7188EAD
Software		
OS	MiniOS7	
Development	C Language	
CPU Module		
CPU	80188, 40 MHz or compatible	
SRAM	512 KB	
Flash	512 KB	
EEPROM	2 KB	
NVRAM	31 Bytes	
RTC (Real Time Clock)	Provide seconds, minutes, hours, dates, day of week, month, year	
64-bit Hardware Serial Number	Yes	
Watchdog Timer	Yes	
Display		
Type	-	5 x Digit 7 Segment LED Display
LED Indicators		
Status	1 x System	
Communication Ports		
Ethernet	1 x RJ-45, 10 Base-T	
COM1	RS-232 (TXD, RXD, RTS, CTS, GND), Non-isolated, Speed: 115200 bps Max.	
COM2	RS-485 (Data+, Data-) with internal self-tuner ASIC; Non-isolated, Speed: 115200 bps Max.	
Digital Input		
Channels	6	
Dry Contact, ON Voltage Level	Close to GND	
Dry Contact, OFF Voltage Level	Open	
Digital Output		
Channels	7	
Type	Open Collector	
Load Voltage	+30 VDC max.	
Max. Load Current	100 mA	
Mechanical		
Dimension (W x H x D)	72 mm x 123 mm x 33 mm	
Installation	DIN-Rail Mounting	
Environmental		
Operating Temperature	-25 ~ +75 °C	
Storage Temperature	-40 ~ +80 °C	
Humidity	5 ~ 90 % RH, Non-condensing	
Power		
Input Range	+10 ~ +30 VDC	
Consumption	2.0 W	3.0 W

Wiring Connections



Dimensions (Units: mm)



Right Side View

Front View

Back View

Ordering Information

I-7188EA CR	Standard Palm-sized Ethernet PAC with 80188-40 CPU, MiniOS7, 6 DI and 7 DO (Blue Cover) (RoHS)
I-7188EAD CR	Standard Palm-sized Ethernet PAC with 80188-40 CPU, MiniOS7, 6 DI, 7 DO and 7-Segment LED Display (Blue Cover) (RoHS)