



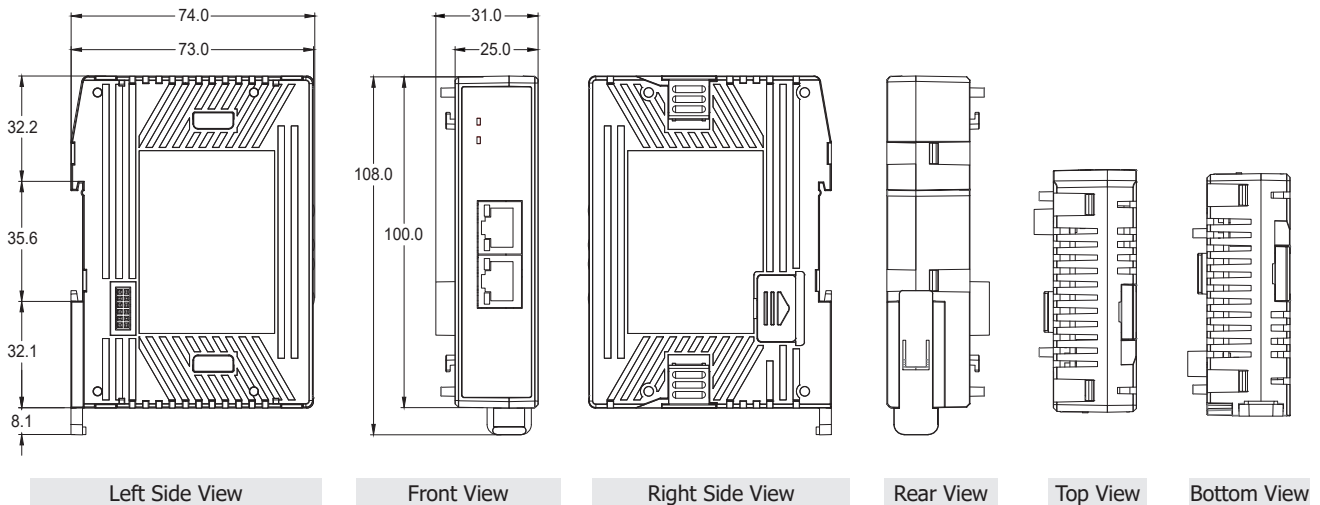
EC4-EP20E

2-Port EtherCAT Junction

Introduction

The EC4-EP20E is equipped with two EtherCAT RJ45 sockets, which can be used at the end of the EC4 series modules to enable daisy-chain and branch wiring configurations. The maximum extension distance is 100 meters.

Dimensions (Units: mm)



Features

- Expanded EtherCAT network port
- 2 x RJ45 interface
- Distance between stations up to 100 m (100BASE-TX)
- Can be used for configuring an EtherCAT star topology



Specifications

EMS Protection	
EFT (IEC 61000-4-4)	Signal: 1 KV Class B; Power: 1 KV Class B
ESD (IEC 61000-4-2)	4 KV Contact for Each Terminal
Surge (IEC 61000-4-5)	1 KV
EtherCAT	
Ports	2 x RJ45 (2 x OUT)
Distance Between Stations	Max.100 m (100BASE-TX)
Data Transfer Medium	Ethernet/EtherCAT Cable (Min. CAT 5), Shielded
Power	
Input Range	+24 VDC
Consumption	1.5W Max
Mechanical	
Casing	Plastic
Dimensions (mm)	31 x 108 x 74 (W x L x D)
Installation	DIN-Rail or Wall Mounting
Environment	
Operating Temperature	-25 ~ +75°C
Storage Temperature	-30 ~ +80°C
Humidity	10 ~ 90% RH, Non-condensing

Ordering Information

EC4-EP20E CR	2-Port EtherCAT Junction (RoHS)
---------------------	---------------------------------