



## I-7540D-UTA-G / I-7540DM-UTA

CAN to Ethernet Gateway

### Features

- Compatible with the ISO 11898-2 standard
- Compatible with CAN specification 2.0A and 2.0B
- Support Web Configuration
- Support Virtual COM technology
- Max transmission speed up to 1M bps for CAN and 115.2kbps for RS-232 & RS-485
- Message transmitted by using TCP/IP protocol and maximum 25 Ethernet client connections
- Jumper selectable for 120Ω terminal resistor for CAN channel
- Wide Operating Temperature Range: -40 ~ +75°C



### Introduction

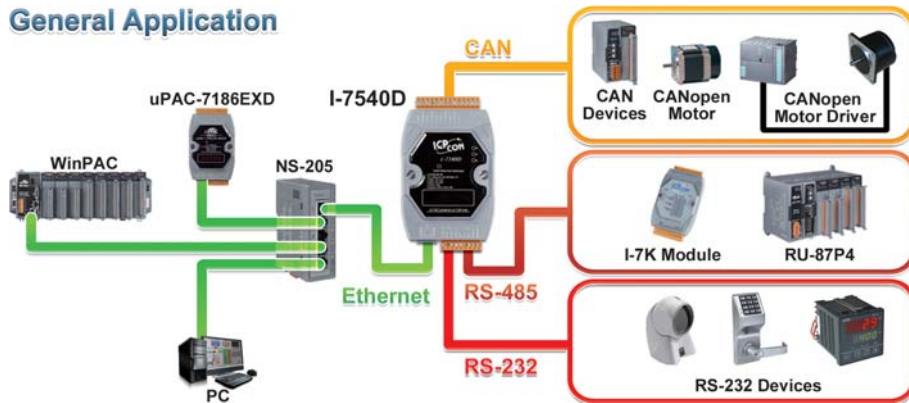
I-7540D series by ICP DAS are solutions that enable CAN networks to be integrated into the Internet/Ethernet, whereby remote monitor and control is possible. I-7540D controls networked communication and makes a transparent CAN-based application interface available to the user. The device supports not only a transparent and protocol-independent transfer of the CAN messages, but virtual COM technology. Thus it allows to be implemented into a various applications.

### Specifications

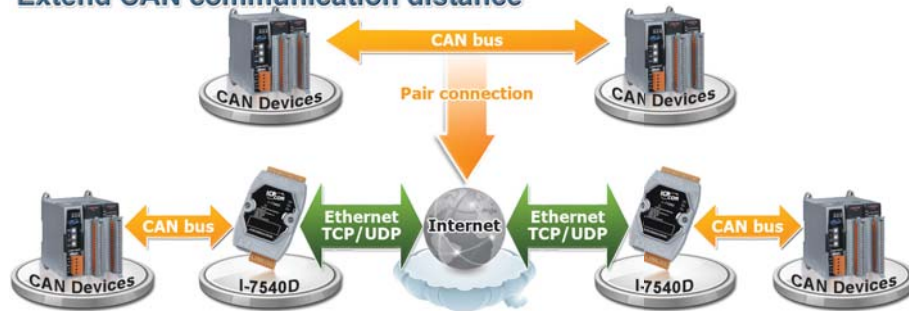
Model Name	I-7540D-UTA-G	I-7540DM-UTA
<b>CAN Interface</b>		
Controller	NXP SJA1000T with 16 MHz clock	
Channel number	1	
Connector	2-pin screwed terminal block (CAN_L, CAN_H)	
Baud Rate (bps)	10 k, 20 k, 50 k, 125 k, 250 k, 500 k, 800 k, 1 M (allow user-defined baud rate)	
Isolation	1000 VDC for DC-to-DC, 2500 Vrms for photo-couple	
Terminal Resistor	Jumper for 120 Ω terminal resistor	
Specification	ISO-11898-2, CAN 2.0A and CAN 2.0B	
<b>UART Interface</b>		
COM 1	RS-232	
COM 1 Connector	5-pin screwed terminal block (TxD, RxD, RTS, CTS, GND )	
COM 2	RS-485 (Self-turner inside)	
COM 2 Connector	2-pin screwed terminal block (DATA+, DATA-)	
Baud Rate (bps)	110, 150, 300, 600, 1200, 2400, 4800, 9600, 19200, 38400, 57600, 115200	
Data bit	7, 8	
Stop bit	1	
Parity	None, Even, Odd	
<b>Ethernet Interface</b>		
Controller	10/100Base-TX Ethernet Controller (Auto-negotiating, Auto_MDIX)	
Connector	RJ-45 with LED indicator	
<b>Power</b>		
Power supply	Unregulated +10 ~ +30 VDC	
Protection	Power reverse polarity protection, Over-voltage brown-out protection	
Power Consumption	2.5 W	
<b>Mechanism</b>		
Casing	Plastic	Metal
Installation	DIN-Rail	Wall Mount
Dimensions (W x L x H)	72mm x 122mm x 33mm	102 mm x 125 mm x 28 mm
<b>Environment</b>		
Operating Temp	-40 ~ 75 °C	
Storage Temp	-40 ~ 80 °C	
Humidity	10 ~ 90% RH, non-condensing	

## Applications

### General Application

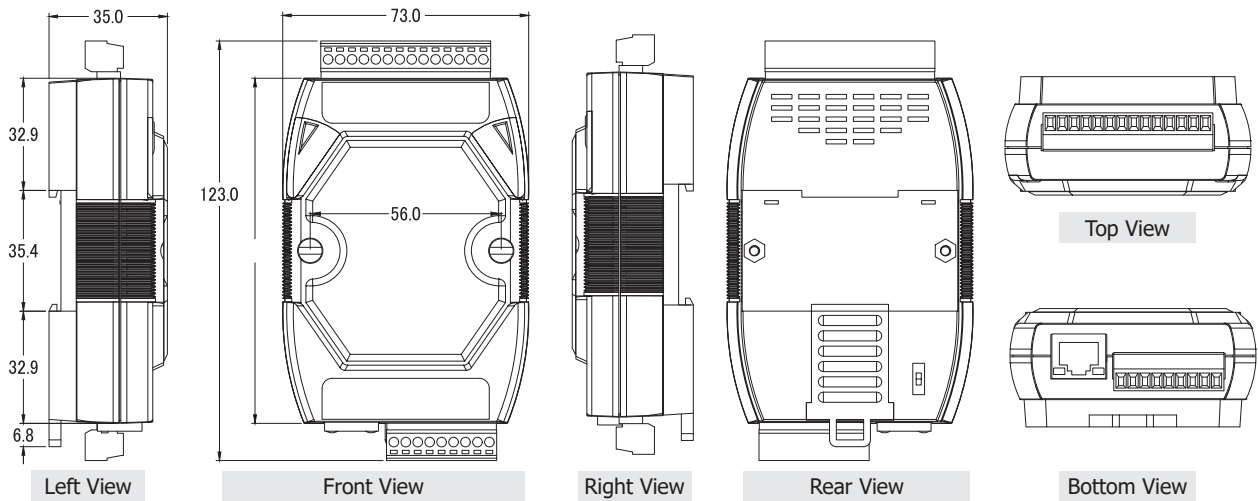


### Extend CAN communication distance

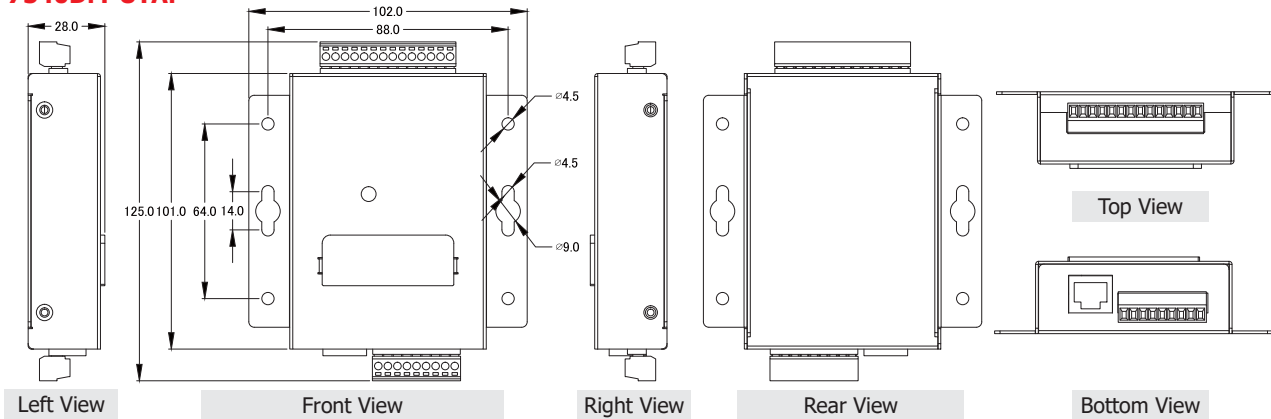


## Dimensions (Units: mm)

### I-7540D-UTA-G:



### I-7540DM-UTA:



## Ordering Information

<b>I-7540D-UTA-G CR</b>	CAN to Ethernet Gateway with one CAN bus, one RS-232, one RS-485 and one Ethernet (Plastic Case) (RoHS) ( for -40 °C application)
<b>I-7540DM-UTA CR</b>	CAN to Ethernet Gateway with one CAN bus, one RS-232, one RS-485 and one Ethernet (Metal Case) (RoHS) ( for -40 °C application)