

NS-200PS (PoE Splitter)



Introduction:

The NS-200PS plays the role of PD, and splits the data signal and power signal that are transmitted from the PSE. The NS-200PS plays a dual role of providing power to industrial devices, and enabling Ethernet connections.

Models	NS-200PS
Technology	
Standards	IEEE 802.3, 802.3u, 802.3x ,802.3af (Power over Ethernet)
PoE Input	
IEEE 802.3af PoE operation	Powered Device (PD)
PoE Power input range	+46~54 VDC
PoE power input	Automatic detection and classification (power is accepted on either the signal or unused pairs)
Power Output	
Voltage output	24 VDC, 0.42 Amps
Power output	10 watts
Cable length	
The specified maximum length of cable allowed between the PoE Switch and Ethernet device should be 100 meters or approximately 300 feet. The NS-200PS is not a repeater and does not amplify the Ethernet data signal. Figure 1 illustrates the maximum length of cable.	
Mechanical	
Casing	Plastic (Flammability UL 94V-0)
Dimensions (W x L x H)	33 mm x 78 mm x 107 mm
Installation	DIN-Rail
Environmental	
Operating Temperature	-40 °C ~ +75 °C
Storage Temperature	-40 °C ~ +85 °C
Ambient Humidity	Relative 10% ~ 90% RH, non-condensing

LED Indicator Functions:

LED	Color	Description
PWR	Red On	Power Output is On
	Red Off	Power Output is Off

Pin Function for Terminal Block:

+24V Output: Power Output (+24 VDC); **GND:** Ground

F.G.: F.G. stands for Frame Ground (protective ground). It is optional. If you use this pin, it can reduce EMI radiation; improve EMI performance and ESD protection.

Applications:

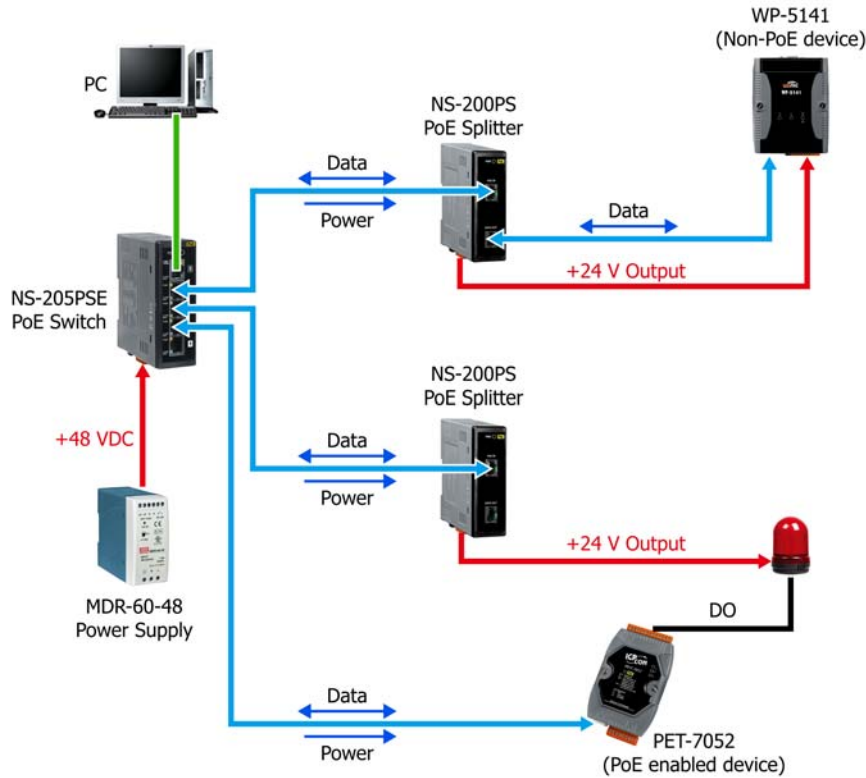
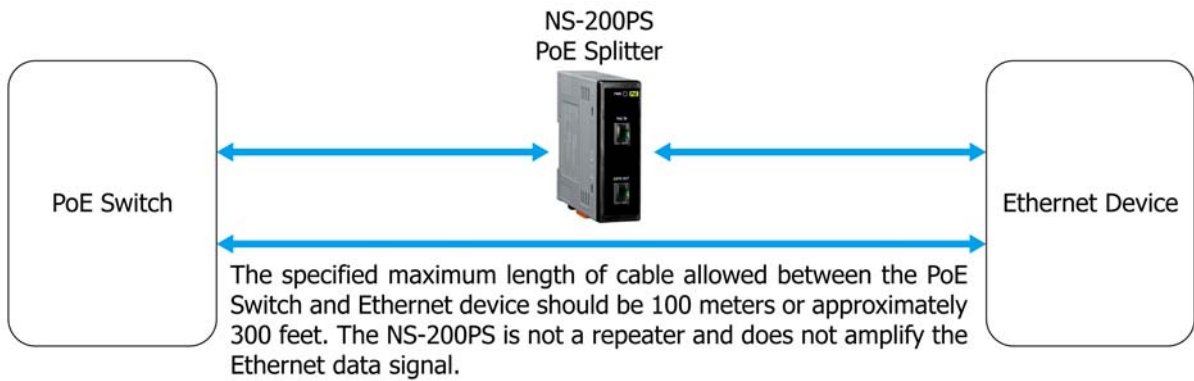


Figure 1. illustrates the maximum length of cable.



Dimensions:

