

---

# FSM-6228G Ethernet Switch QuickStart v1.0

This document provides quick installation on FSM-6228G series. It contains:

## Package Checklist

Please verify that the box contains the following items:

Item	Quantity
Rack-mount Ethernet switch	1
Rack-mount bracket	2
Screws (for bracket)	6
DC power terminal block (4-pin) – option for DC models	1
ALM terminal block (2-pin)	1
Quick Installation Guide	1
RJ45 Ethernet port Dust Cover	14
SFP Ethernet port Dust cover	2

## Safety Instructions

When a connector is removed during installation, testing, or servicing, or when an energized fiber is broken, a risk of ocular exposure to optical energy that may be potentially hazardous occurs, depending on the laser output power.

The primary hazards of exposure to laser radiation from an optical-fiber communication system are:

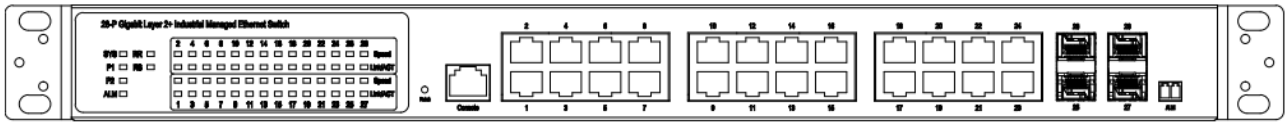
- Damage to the eye by accidental exposure to a beam emitted by a laser source.
- Damage to the eye from viewing a connector attached to a broken fiber or an energized fiber.

## Model Layouts

### *Front Access Models*

## Front View

### All Front Access models



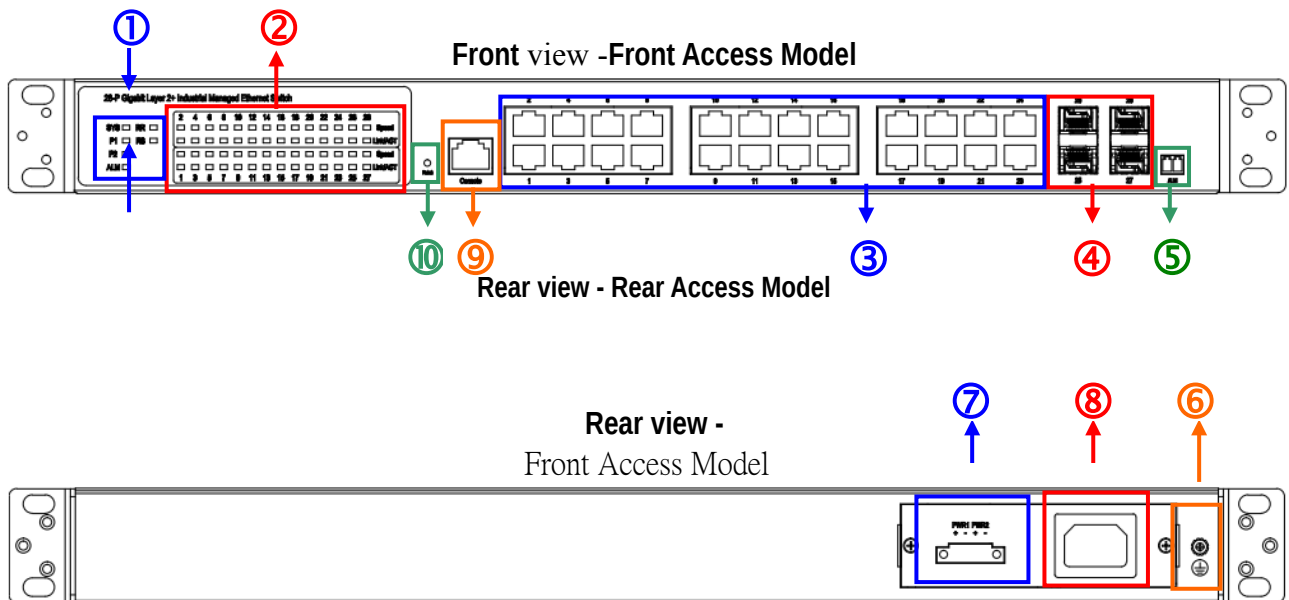
## Rear View

### FSM-6228G-DC



### FSM-6228G-AC



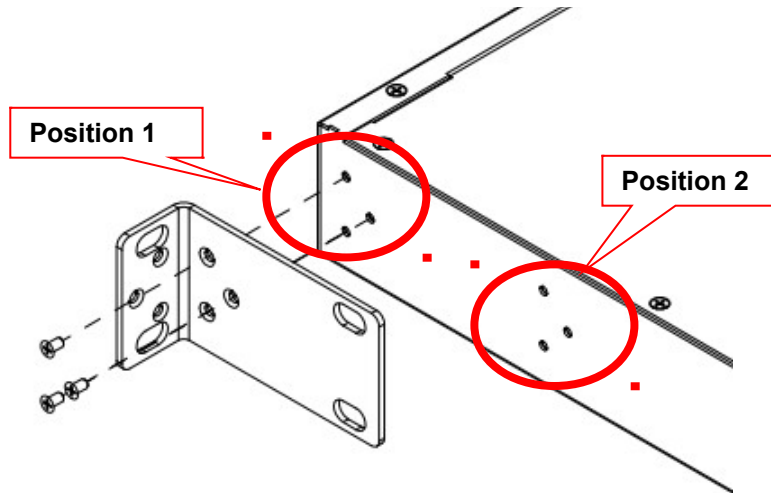


- ① System Status Indicators (LED)
- ② Port Status Indicators (LED)
- ③ Gigabit Copper RJ45 ports
- ④ 100/1000BaseSFP slot (Port 25 & 26)  
1000BaseSFP slot (Port 27 & 28)
- ⑤ Terminal block for Alarm Relay output
- ⑥ Grounding screw
- ⑦ DC terminal block (dual input)
- ⑧ AC supply socket
- ⑨ Console port
- ⑩ Reset Button

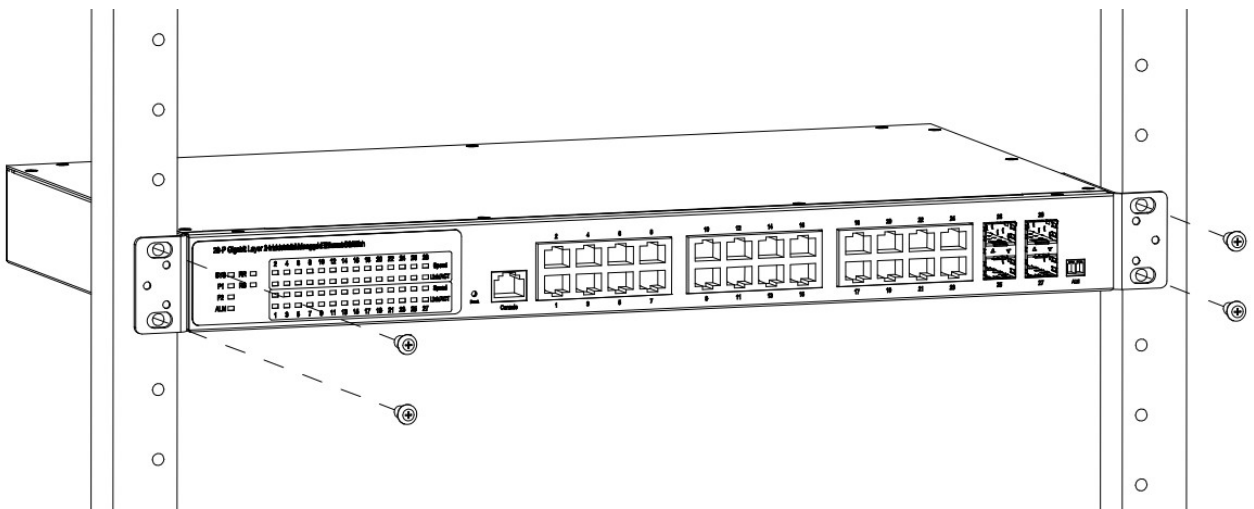
# Rack Mounting

When mounting the switch, practice good safety habits. Relay rack mounting normally requires at least two people.

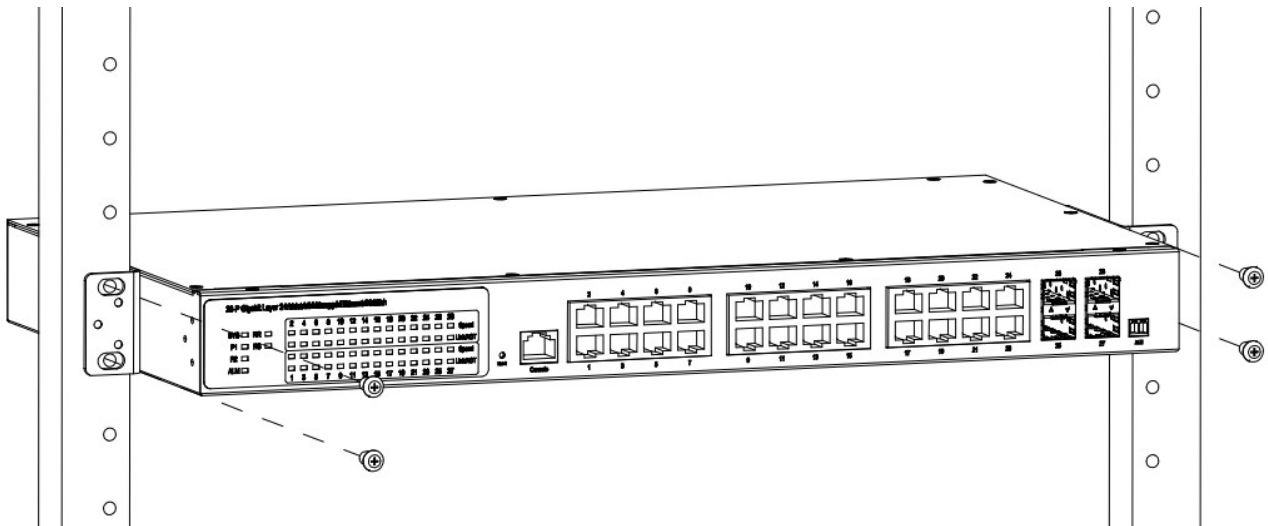
1. Obtain the tools required for the mounting hardware.
2. Attach the mounting brackets to the switch by using the screws in the accessory kit.



3. From the front of the relay rack, position the switch in its relay rack mounting location.
4. Secure the switch in its relay location on both left and right side of mounting bracket.



**Mounting Bracket Position 1 for Standard Mount**



**Mounting Bracket Position 2 for Standard Mount**

## Ground Connecting

IMP-528/828 must be properly grounded for optimum system performance.

## Alarm Relay Connecting

The alarm relay output contacts with current carrying capacity of 30VDC, 1A are a 2P terminal block.

The alarm relay contact is “Normal Open”, and it will be closed when detected any power failures.

## Power Connecting

### *DC Power Connection*

The switch can be powered from two power supply (input range 12V – 58V). The DC power connector is a 4P terminal block; insert the positive and negative wires into V+ and V- contact on the terminal block and tighten the wire-clamp screws to prevent the wires from being loosened.

After completing chassis installation, please apply power to the fused power distribution panel feeding the chassis.

---

**Note** The DC power should be connected to a well-fused power supply.

---

---

## AC Power Connection

If you use AC power, connect the AC power cord to the AC supply socket on the rear panel, and plug the cord into the external power source. The voltage must be 100 to 240 V ( $\pm 10\%$  tolerance).

---

**Warning:** Ensure that all power sources to the chassis (power distribution panel) are turned off during the connection.

---

## Ethernet Interface Connecting (RJ45 Ethernet)

IMP-528/828 provides two types of electrical (RJ45) and optical (mini-GBIC) interfaces.

Connecting the Ethernet interface via RJ45:

- To connect to a PC, use a straight-through or a cross-over Ethernet cable,
- To connect the switch to an Ethernet device, use UTP (Unshielded Twisted Pair) or STP (Shielded Twisted Pair) Ethernet cables.

## Ethernet Interface Connecting (Fiber, SFP)

For a 1000 Mbps fiber port available, please use the mini-GBIC SFP. These accept plug in fiber transceivers that typically have an LC style connector.

For a 100 Mbps fiber port (**port 25 & 26 only**) available, please prepare the LC connectors or SC connectors (with the use of an optional SC-to-LC adapter).

They are available with multimode, single mode, long-haul or special-application transceivers.

---

**DANGER:** Never attempt to view optical connectors that might be emitting laser energy.

Do not power up the laser product without connecting the laser to the optical fiber and putting the cover in position, as laser outputs will emit infrared laser light at this point.

---

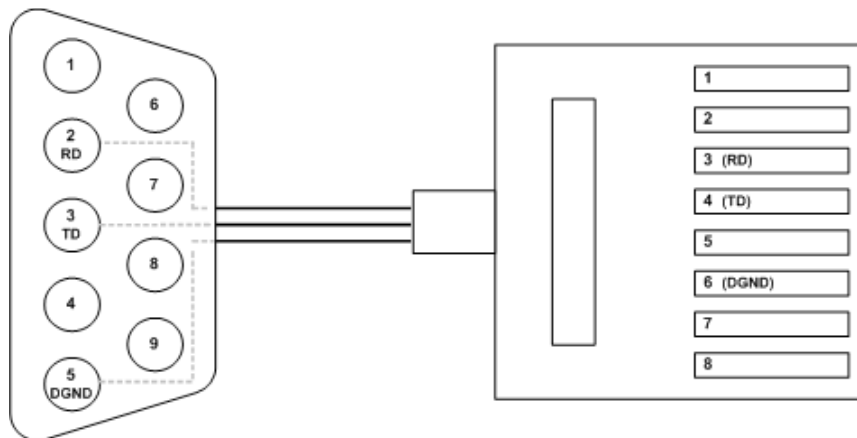
---

## Console Connection

The Console port is for local management by using a terminal emulator or a computer with terminal emulation software.

- DB9 connector connect to computer COM port
- Baud rate: 115200bps
- 8 data bits, 1 stop bit
- None Priority
- None flow control

To connect the host PC to the console port, a RJ45 (male) connector-to-RS232 DB9 (female) connector cable is required. The RJ45 connector of the cable is connected to the CID port of IMP-528/828; the DB9 connector of the cable is connected to the PC COM port. The pin assignment of the console cable is shown below:



## Connect & Login to IMP-528/828

1. Connecting to IMP-528/828 Ethernet port (RJ45 Ethernet port).
2. **Factory default IP: 192.0.2.1**
3. Login with default account and password.

**Username: admin**

**Password: admin**

## CLI Initialization & Configuration (Optional)

1. Connecting to IMP-528/828 Ethernet port (RJ45 Ethernet port).
2. Key-in the command under Telnet: **telnet 192.0.2.1**
3. Login with default account and password.

**Username: admin**

**Password: admin**

4. Change the IP with commands listed below:

CLI Command:

```
enable
configure
interface vlan 1
ip-address xxx.xxx.xxx.xxx netmask xxx.xxx.xxx.xxx
exit
```

## SYSTEM RESET

The Reset button is provided to reboot the system without the need to remove power. Under normal circumstances, you will not have to use it. However, on rare occasions, the IMP-528/828 may not respond; then you may need to push the Reset button.

