



XP-9171-WES7/WP-9371-WES7/XP-9771-WES7

1/3/7-slot Metal Standard PAC with E3827 CPU and WES7

Features

- Windows Embedded Standard 7 SP1 x86 (32-bit)
- Intel® Atom™ E3827 1.75 GHz
- 2 GB DDR3 SDRAM
- 32 GB SSD
- VGA / HDMI Display Output
- 2 10/100/1000M Ethernet Ports
- Redundant Power Input
- Operating Temperature: -25 ~ +75 °C



Introduction

The XP-9171-WES7/XP-9371-WES7/XP-9771-WES7 are WES7 based PACs that combine computing, I/O, and operator interface into a single unit, and provide the perfect solution for integrating HMI, data acquisition and control in an individual PAC. It is equipped with an Intel E3827 CPU, 1/3/7 I/O expansion slots and a variety of connectives including dual Gigabit Ethernet, VGA, USB port, RS-232 and RS-485 interface. Local I/O slots are available to use our I-9K and I-97K series I/O modules and remote I/O expansions are available to use our Ethernet I/O modules and RS-485 I/O modules.

Since WES7 has the same Win32 API as Windows 7, most popular applications on desktop can run on WES7 based Panel PC.

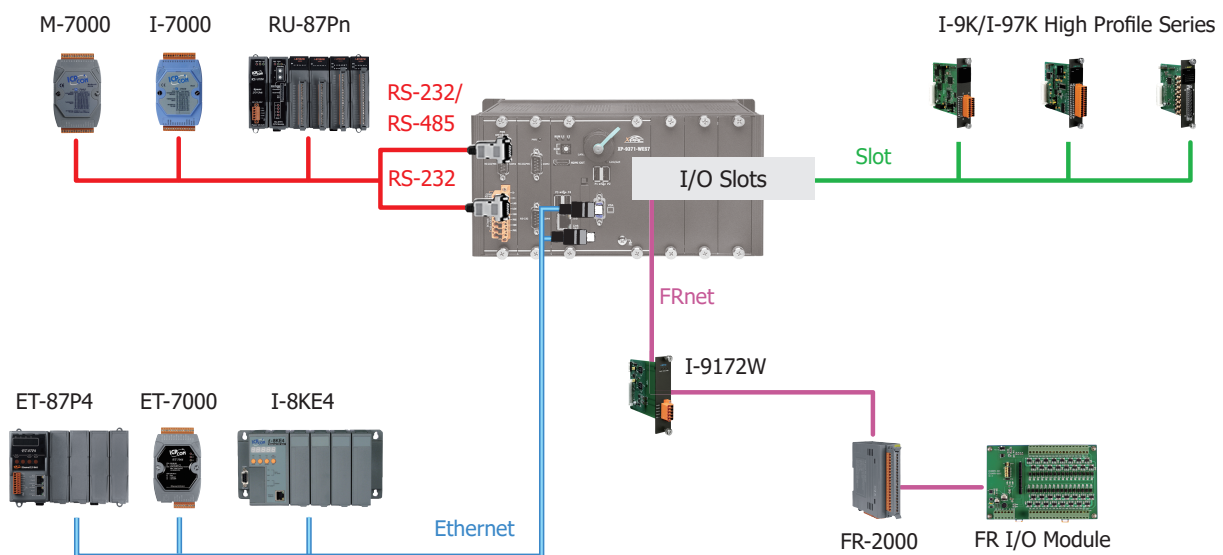
Windows Embedded Standard 7.0



Most of the popular features in Windows software are included, such as EWF (Enhanced Write Filter), Remote Desktop Connection, IIS, ASP/ASP.NET, .NET Framework 4.5 and also supports rich development software solutions, such as VS 6.0, VS.NET, VB, Delphi, BCB, InduSoft.

- Full Win32 API
- Remote Desktop Protocol 5.1
- Silverlight 5
- Enhanced Write Filter
- .NET Framework 3.5, 4.0, 4.5, 4.7

Applications

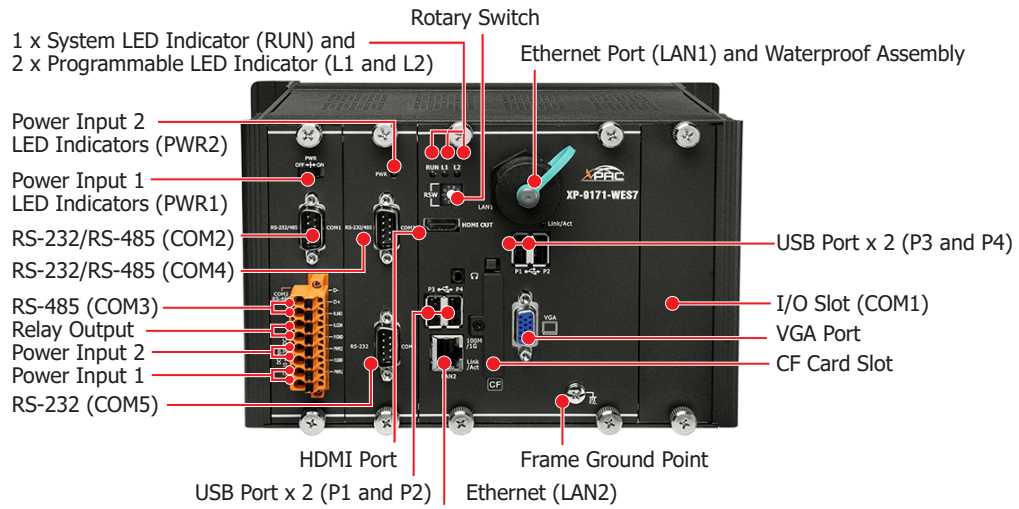


Specifications

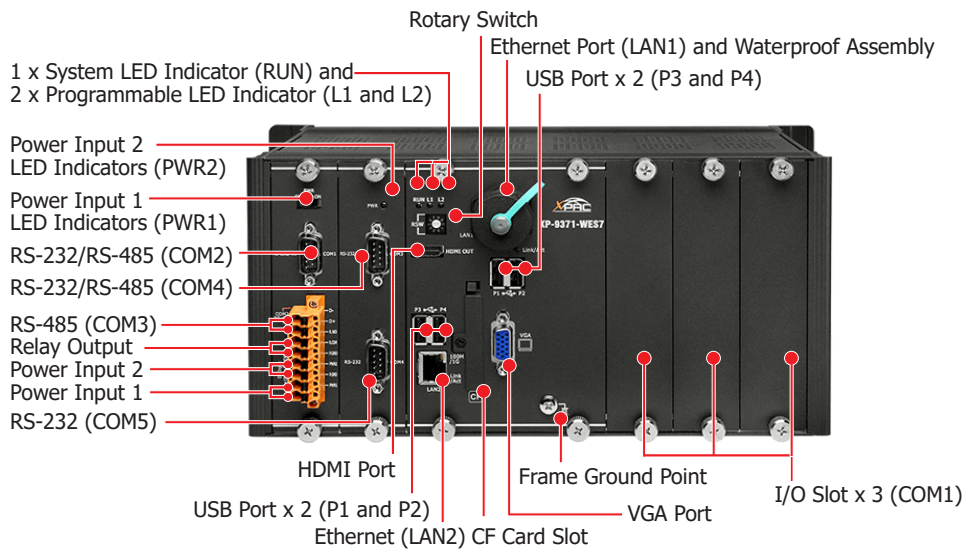
Model	XP-9171-WES7	XP-9371-WES7	XP-9771-WES7
Software			
OS	Windows Embedded Standard 7 SP1 x86 (32-bit)		
Framework Support	.Net Framework 3.5, 4.0, 4.5, 4.7		
Service	IE11, FTP Server, IIS 7.0, ASP (Java Script, VB Script)		
SDK Provided	DII for VC, DII for Visual Studio.Net		
Multilanguage Support	English, German, French, Spanish, Portuguese, Russian, Italian, Korean, Japanese, Simplified Chinese, Traditional Chinese		
Main Unit			
CPU	E3827, 1.75 GHz, 64-bit dual core		
SDRAM	2 GB DDR3		
MRAM	128 KB		
Flash	mSATA slot with one 32 GB SSD		
EEPROM	16 KB		
Storage	16 GB CF card (support up to 32 GB)		
RTC (Real Time Clock)	Provide seconds, minutes, hours, day of week/month, month and year		
64-bit Hardware Serial Number	Yes, for software copy protection		
Watchdog Timer	Dual Watchdog Timer		
Rotary Switch	1 x 10 Position (0 ~ 9)		
Buzzer	Yes		
Display			
VGA Resolution	1280 x 1024 ~ 1920 x 1080 (16 : 9), 640 x 480 ~ 1024 x 768 (4 : 3)		
HDMI Resolution	1280 x 1024 ~ 1920 x 1080 (16 : 9), 640 x 480 ~ 1024 x 768 (4 : 3)		
LED Indicator	1 x System, 2 x Power and 2 x Programmable		
Communication Ports			
Ethernet	2 x RJ-45 10/100/1000M Base-TX (Auto-negotiating, Auto MDI/MDI-X, LED indicators)		
USB 2.0	4		
COM1	Internal communication with the I-97K series modules in slots		
COM2	RS-232/485 (RxD, TxD and GND for RS-232; Data+, Data- for RS-485); 3000 VDC isolated		
COM3	RS-485 (Data+, Data-); 3000 VDC isolated		
COM4	RS-232/485 (RxD, TxD, CTS, RTS and GND for RS-232; Data+, Data- for RS-485); 3000 VDC isolated		
COM5	RS-232 (RxD, TxD, CTS, RTS, DSR, DTR, CD, RI and GND); 3000 VDC isolated		
I/O Expansion			
I/O Type	I-9K, I-97K series		
Slots	1	3	7
Mechanical			
Dimension (W x L x H)	239 mm x 164 mm x 133 mm	300 mm x 164 mm x 133 mm	422 mm x 164 mm x 133 mm
Installation	DIN-Rail, Wall mounting		
Environmental			
Operating Temperature	-25 ~ +75 °C		
Storage Temperature	-30 ~ +80 °C		
Humidity	10 ~ 90 % RH (non-condensing)		
Power			
Input Range	+10 ~ 30 VDC (1 kV Isolated)		
Redundant Power Inputs	Yes, with one power relay (1 A @ 24 VDC) for alarm		
Capacity	4.1 A, 5 V supply to CPU and backplane, 2.5 A, 5 V supply to I/O expansion slots, 33 W in total	4.2 A, 5 V supply to CPU and backplane, 2.4 A, 5 V supply to I/O expansion slots, 33 W in total	4.4 A, 5 V supply to CPU and backplane, 2.2 A, 5 V supply to I/O expansion slots, 33 W in total
Consumption	18.5 W (0.77 A @ 24 VDC)	18.7 W (0.78 A @ 24 VDC)	20.4 W (0.85 A @ 24 VDC)

Appearance

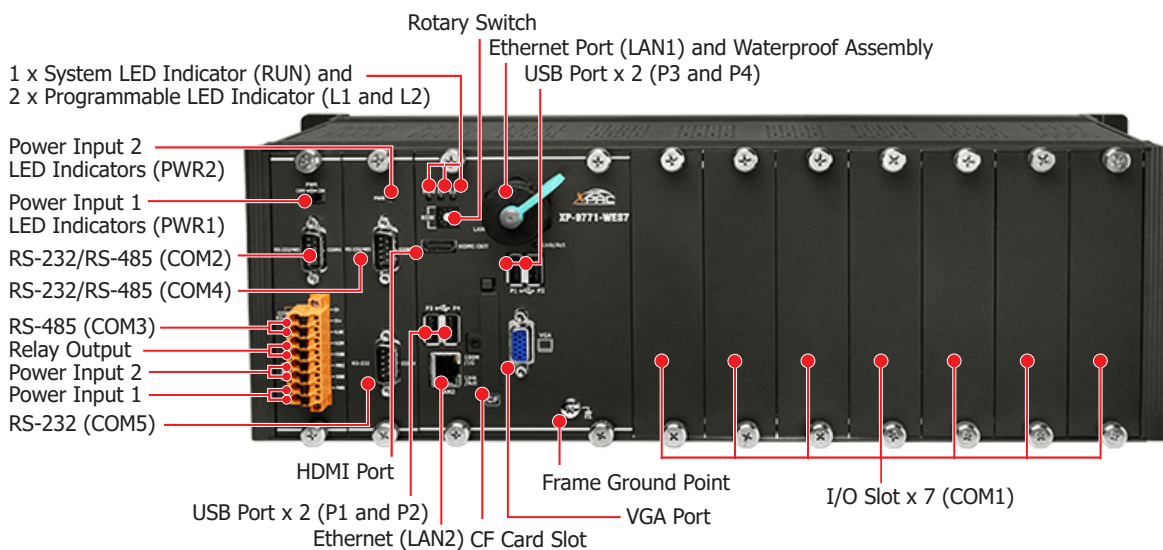
XP-9171-WES7



XP-9371-WES7

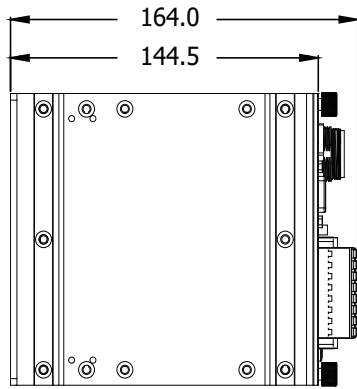


XP-9771-WES7



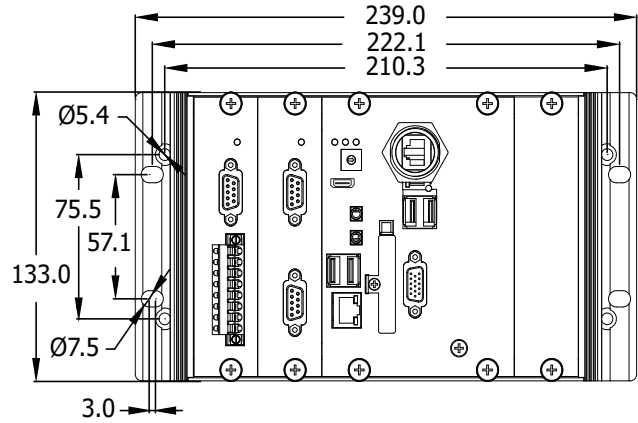
■ Dimensions (Units: mm)

XP-9171-WES7/XP-9371-WES7/XP-9771-WES7



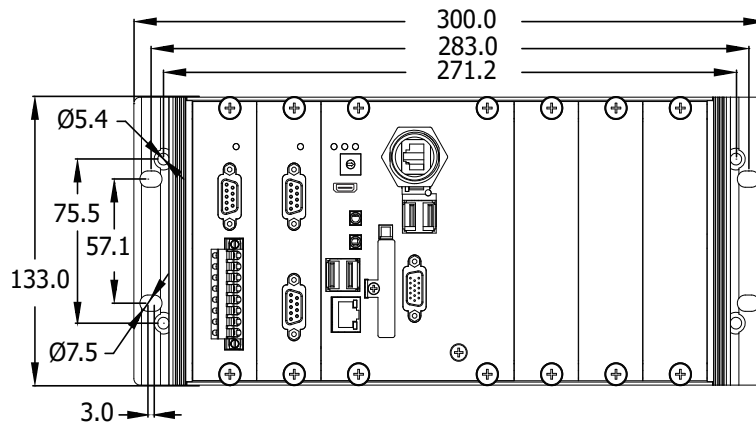
Left Side View

XP-9171-WES7



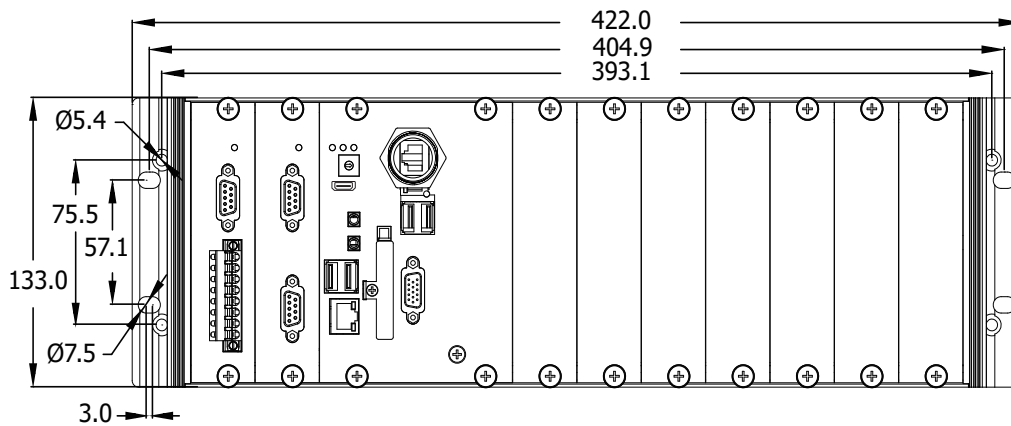
Front View

XP-9371-WES7



Front View

XP-9771-WES7



Front View

■ Ordering Information

XP-9171-WES7 CR	1-slot Metal Standard PAC with E3827 CPU and WES7 (RoHS)
XP-9371-WES7 CR	3-slot Metal Standard PAC with E3827 CPU and WES7 (RoHS)
XP-9771-WES7 CR	7-slot Metal Standard PAC with E3827 CPU and WES7 (RoHS)