



WP-2641M-CE7

Standard PAC with Quad-core Cortex-A9 CPU, WinCE 7.0,
1 I/O Bus, Matel Case

Features

- Quad-core Cortex-A9, 1 GHz/Core CPU
- Windows CE 7.0 Professional
- 1 GB DDR3 RAM and 8 GB eMMC Flash
- 64-bit Hardware Serial Number
- Hard Real-Time Capability
- I/O Expansion Bus
- 10/100/1000M Dual Ethernet Ports
- 4 Serial Ports (RS-232/485)
- Operating Temperature: -25 to +75 ° C



Introduction

The WP-2641M-CE7 are equipped Quad-core Cortex-A9 CPU (1 GHz/Core) and running a windows CE.NET 7.0 operating system. The optional I/O expansion board, XV-board, provides high-protection I/O. Using the built-in Flash and microSD, the WP-2641M-CE7 can save application program, image file and data.

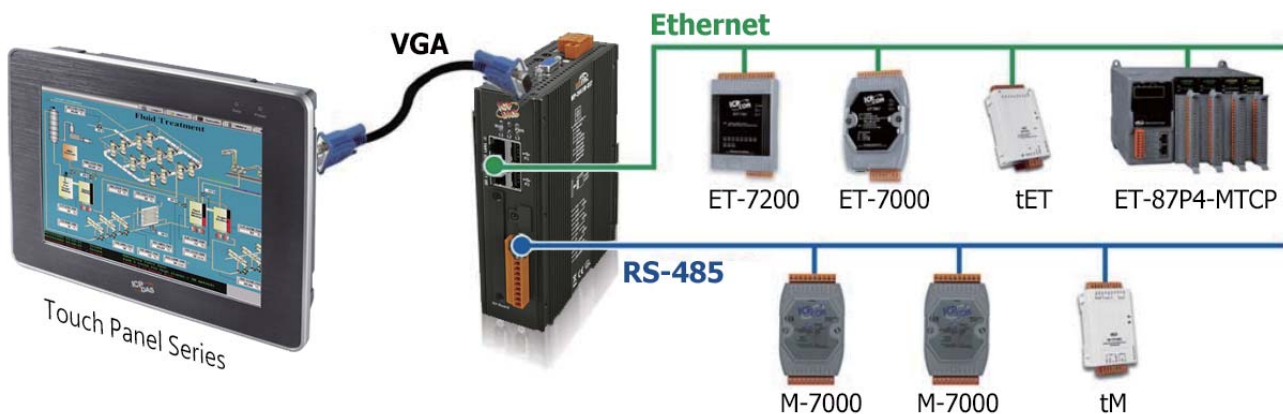
Windows CE 7.0



Windows CE 7.0 is a compact and real-time OS used to quickly create time critical and high performance applications. Using Windows CE 7.0 gives an ability to run PC-based control software such as Visual Basic .NET, Virtual C#.

- FTP Server
- Web Server
- SQL Compact Edition 3.5
- .NET Compact Framework 3.5
- Virtual CE Pro (VCEP)

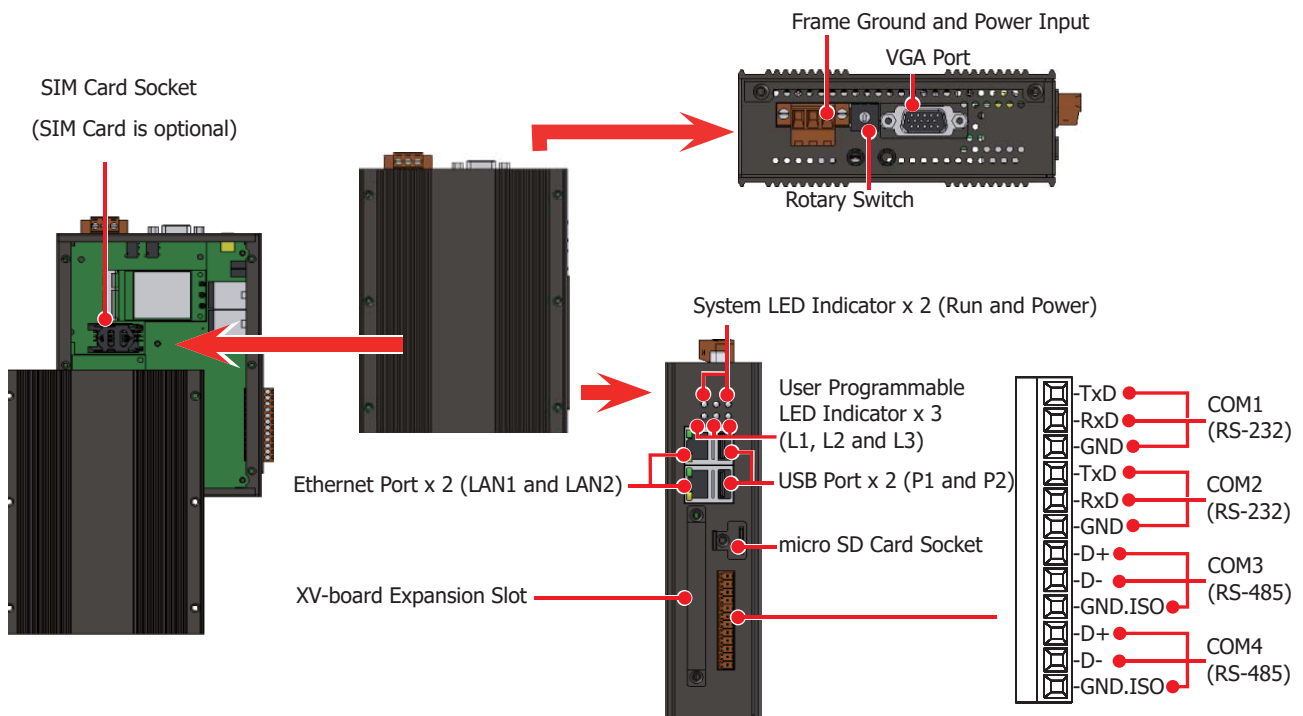
Applications



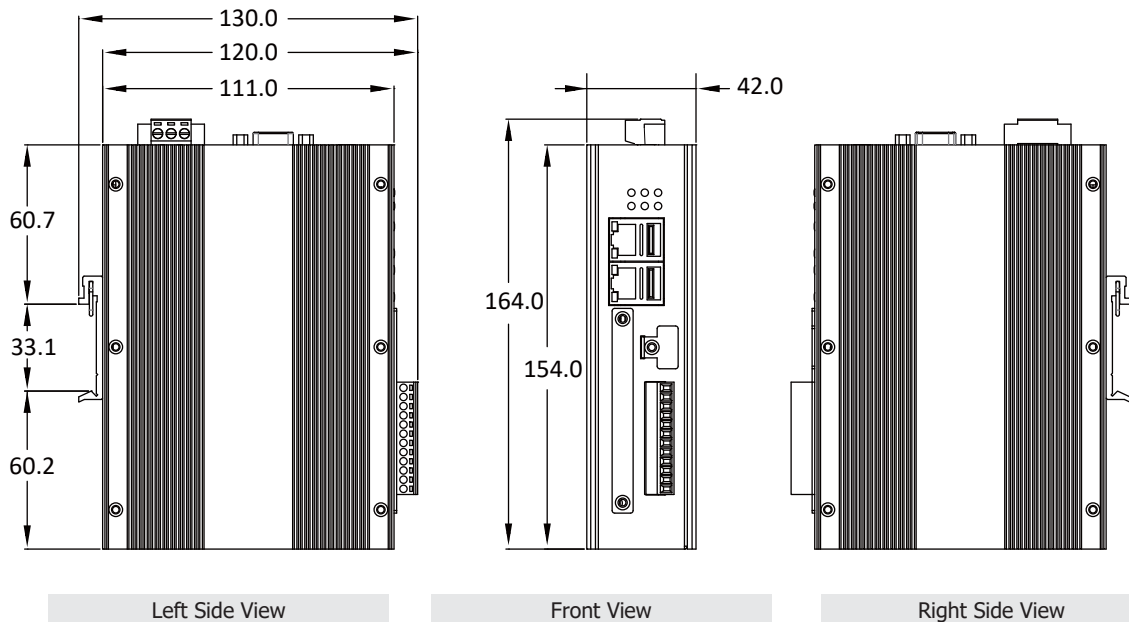
Specifications

Model	WP-2641M-CE7
System Software	
OS	Windows CE 7.0 Professional
Framework Support	3.5
Service	FTP server, Web server
SDK	DII for Visual Studio.Net 2008
Multilanguage Support	English, German, French, Spanish, Russian, Italian, Korean, Simplified Chinese, Traditional Chinese
CPU Module	
CPU	Quad-core Cortex-A9, 1GHz/Core CPU
SDRAM	1 GB DDR3
Flash	8 GB eMMC
MRAM	128 KB
FRAM	64 KB
Storage	4 GB microSD card (up to 32 GB)
RTC (Real Time Clock)	Provide seconds, minutes, hours, dates, day of week, month, year
64-bit Hardware Serial Number	Yes, for software copy protection
Watchdog Timer	Dual Watchdog Timer
Rotary Switch	1 x 10 Position (0 ~ 9)
Buzzer	Yes
Display	
VGA Resolution	640 × 480, 800 × 480, 800 × 600, 1024 × 768
LED Indicators	1 x System, 1 x Power, 3 x Programmable
Communication Ports	
Ethernet	2 x RJ-45, 10/100/1000 Based-TX (Auto-negotiating, Auto MDI/MDI-X, LED indicators)
USB 2.0 (host)	2
COM 1	RS-232 (RxD, TxD and GND); Non-isolated
COM 2	RS-232 (RxD, TxD and GND); Non-isolated
COM 3	RS-485 (Data+, Data-); 2500 VDC isolated
COM 4	RS-485 (Data+, Data-); 2500 VDC isolated
I/O Expansion	
I/O Expansion Bus	One optional XV-board
Mechanical	
Casing	Metal
Dimensions (W x L x H)	35 mm x 167 mm x 119 mm
Ingress Protection Rating	IP30 (Aluminum)
Installation	DIN-Rail Mounting
Environmental	
Operating Temperature	25 ~ +75 °C
Storage Temperature	-40 ~ +80 °C
Ambient Relative Humidity	10 ~ 90 % RH, Non-condensing
Power	
Input Range	+12 ~ 48 VDC
Consumption	4.8 W (0.2 A @ 24 VDC)

Appearances



Dimensions (Units: mm)



Ordering Information

WP-2641M-CE7 CR	Standard PAC with Quad-core Cortex-A9 CPU, WinCE 7.0, and 1 I/O Bus, Matel Case (RoHS)
------------------------	--

Accessories

XV-Board	Add-on I/O Expansion Board
-----------------	----------------------------