



Features

- 7", 10.4" TFT LCD
- AM3352/AM3354, 720 MHz/1 GHz CPU
- CE7 (Windows Embedded Compact 7)
- Hard Real-Time Capability
- Support eLogger HMI (free)
- PoE (Power over Ethernet)
- NEMA 4/IP65 Compliant Front Panel
- Ultra-Rugged Construction and Reliable Design
- Operating Temperature: -10 °C ~ +60 °C



Introduction

The VP-2201-CE7/VP-4201-CE7 are CE7 based ViewPAC that combine computing, I/O, and operator interface into a single unit, and provide the perfect solution for integrating HMI, data acquisition and control in an individual PAC. It is equipped with an ARM AM3352/AM3354 CPU, TFT LCD and a variety of connectives including dual Gigabit Ethernet, USB port, RS-232 and RS-485 interface. I/O expansion is available to use our Ethernet I/O modules and RS-485 I/O modules. Designed for panel mount installation, the front panel is NEMA 4/IP65 rated and can withstand sprayed water, humidity and extreme dust. Designed to operate over a wide -10°C ~ 60°C ambient temperature range, the fanless design offers the ultimate in reliability with no moving parts.

Windows Embedded Compact 7 is a componentized, hard real-time, high performance, and highly reliable operating system. CE7 delivers rich user experiences and a unique connection to Windows PCs, servers, services, and devices.

Windows Embedded Compact 7

CE7 is a compact and hard real-time OS used to quickly create time critical and high performance applications. Using CE7 gives an ability to run PC-based control software such as Visual Basic .NET, Virtual C#, SCADA software, SoftPLC... etc.

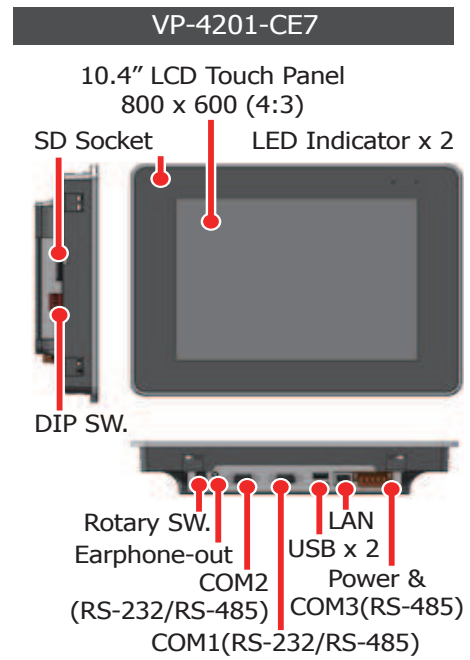
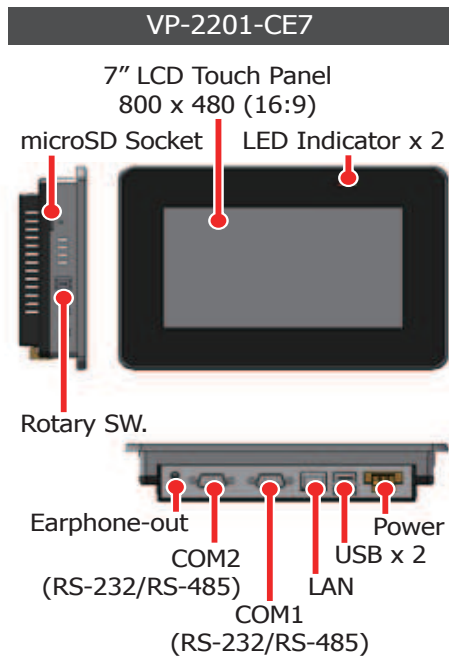


- FTP Server
- Web Server
- SQL Compact Edition 3.5
- .NET Compact Framework 3.5
- Virtual CE Pro (VCEP)
- OPC Server (NAPOPC DA Server)
- Soft PLC solution ISaGRAF inside
- SCADA solution InduSoft inside

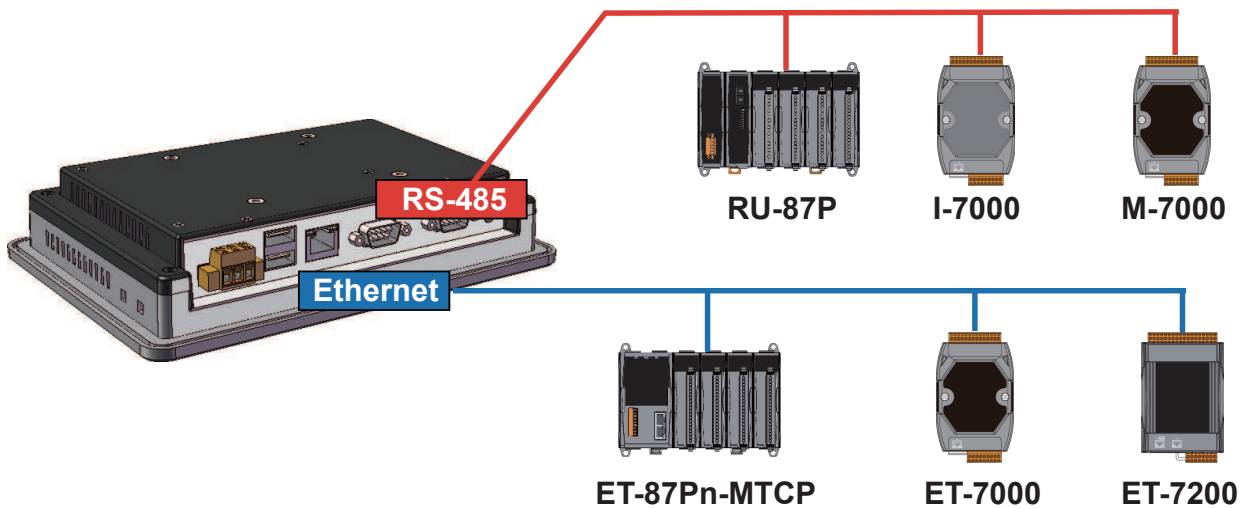
Specifications

| Models | VP-2201-CE7 | VP-4201-CE7 |
|----------------------------------|---|---|
| LCD | | |
| Diagonal Size | 7" (16:9) | 10.4" (4:3) |
| Resolution | 800 x 480 | 800 x 600 |
| Brightness (cd/m ²) | 400 | |
| Contrast Ratio | 500 : 1 | |
| LED Backlight Life (hrs) | 20,000 | 50,000 |
| Touch Panel | 4-wire, resistive type; light transmission: 80 % | 5-wire, resistive type; light transmission: 80 % |
| LED Indicator | 2 (Run, PWR) | |
| System Software | | |
| OS | Microsoft Windows Embedded Compact 7 | |
| Framework Support | .NET Compact Framework 3.5 | |
| Embedded Service | FTP server, Web server (supports VB script, JAVA script), SQL Compact Edition 3.5 | |
| SDK Provided | DII for Visual Studio.Net | |
| Multilanguage Support | English, German, French, Spanish, Portuguese, Russian, Italian, Korean, Simplified Chinese, Traditional Chinese | |
| CPU Module | | |
| CPU | AM3352 (720 MHz) | AM3354 (1 GHz) |
| DRAM | 512 MB | |
| MRAM | 128 KB | |
| Flash (SSD) | 256 MB | |
| EEPROM | 16 KB | |
| Memory Expansion | microSD socket with 4 GB micro SDHC card (support up to 32 GB) | SD socket with 4 GB SDHC card (support up to 32 GB) |
| RTC (Real Time Clock) | Provide second, minute, hour, date, day of week, month, year | |
| 64-bit Hardware Serial Number | Yes, for software copy protection | |
| Dual Watchdog Timers | 0.8 second | |
| Rotary Switch | 0 ~ 9 | |
| Communication Ports | | |
| Ethernet | 1 x RJ-45 10/100/1000 Base-TX | |
| USB 2.0 (host) | 2 | |
| COM 1 | RS-232 (TxD, RxD, CTS, RTS) /RS-485 (Data+, Data-) (9-wire DB9 connector); 2500 VDC isolated | |
| COM 2 | RS-232 (TxD, RxD, CTS, RTS) /RS-485 (Data+, Data-) (9-wire DB9 connector); 2500 VDC isolated | |
| COM 3 | - | RS-485 (Data+, Data-, GND); 2500 VDC isolated |
| Audio | Earphone-out | |
| Mechanical | | |
| Dimensions (W x H x D), Unit: mm | 213 x 148 x 44 | 291 x 229 x 54 |
| Panel Cut-Out (W x H), Unit: mm | 200 x 133, ± 1 | 276 x 214, ± 1 |
| Installation | Panel Mounting | |
| Ingress Protection | Front panel: NEMA 4/IP65 | |
| Weight | 0.7 kg estimate | 1.8 kg estimate |
| Environmental | | |
| Operating Temperature | -10 °C ~ +60 °C | |
| Storage Temperature | -20 °C ~ +70 °C | |
| Ambient Relative Humidity | 10 % ~ 90 % RH (non-condensing) | |
| Power | | |
| Input Range | +12 VDC ~ +48 VDC | |
| Power from PoE | IEEE 802.3af | |
| Isolation | - | 1 kV |
| Consumption | 6 W | 13 W |

Appearance



Application



Ordering Information

| | |
|-------------|--|
| VP-2201-CE7 | 7" ViewPAC with AM3352 CPU and CE7 OS |
| VP-4201-CE7 | 10.4" ViewPAC with AM3354 CPU and CE7 OS |

Accessories

| | |
|--------------|---|
| DP-660 | 24 VDC/2.5 A, 60 W and 5 VDC/0.5 A, 2.5 W Power Supply with DIN-Rail Mounting |
| MDR-60-24 CR | 24 VDC/2.5 A, 60 W Power Supply with DIN-Rail Mounting (RoHS) |