



WP-2241-CE7

Features

- Cortex-A8, 1GHz CPU
- Windows CE 7.0 Professional
- 512 MB SDRAM and 256 MB Flash
- 64-bit Hardware Serial Number
- Hard Real-Time Capability (RTC)
- I/O Expansion Bus
- 10/100/1000M Dual Ethernet Ports
- 4 Serial Ports (RS-232/485)
- Operating Temperature: -25 ~ +75 °C



Introduction

The WP-2241M-CE7 are equipped a Cortex-A8 CPU (1 GHz) and running a windows CE.NET 7.0 operating system. The optional I/O expansion board, XV-board, provides high-protection I/O. Using the built-in Flash and microSD, the WP-2241M-CE7 can save application program, image file and data.

The mobile network module of WinPAC series(Except for WP-2241M-CE7) work on frequencies of WCDMA 900/2100 MHz, TD-SCDMA1900/2100 MHz, CDMA2000 (BC0) 800 MHz, FDD LTE:B1/B3/B8, TDD LTE: B38/B39/B40/B41 and GSM 850/900/1800/1900 MHz, WCDMA 2100/1900/900/850 MHz, FDD LTE:B1/B3/B5/B7/B8/B20 and GSM 850/900/1800/1900 MHz.

Windows CE 7.0



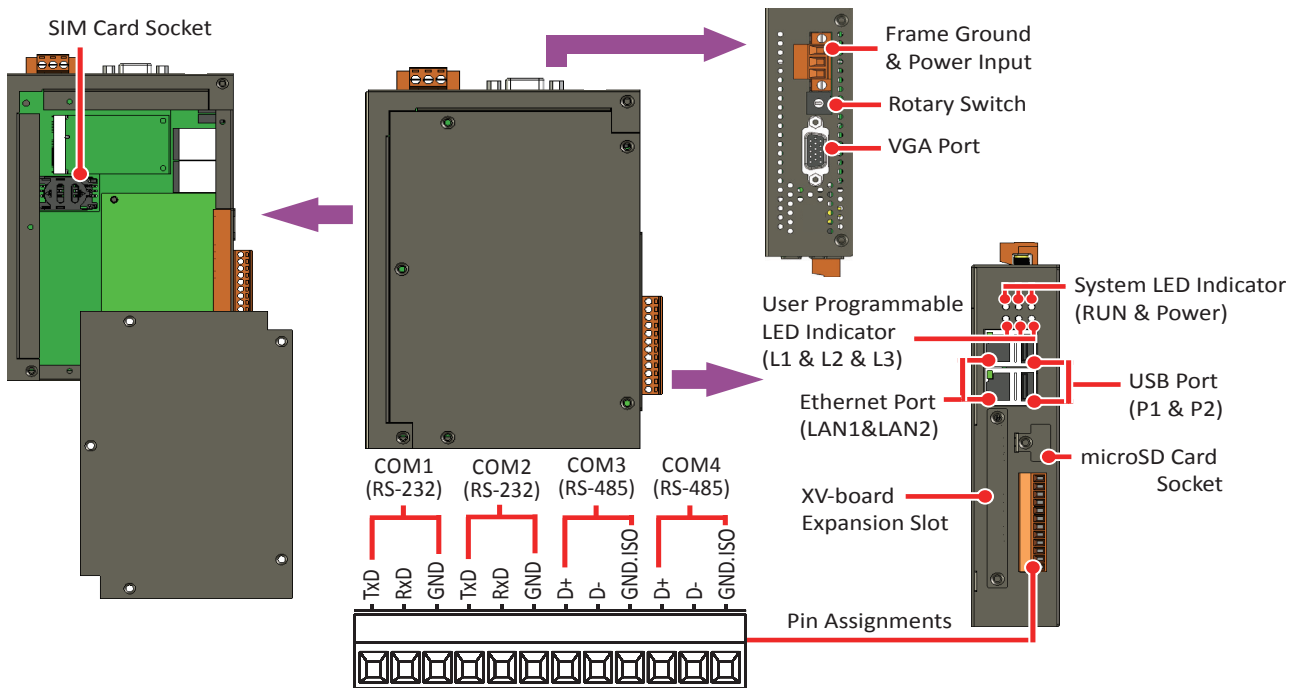
Windows CE 7.0 is a compact and real-time OS used to quickly create time critical and high performance applications. Using Windows CE 7.0 gives an ability to run PC-based control software such as Visual Basic .NET, Virtual C#.

- FTP Server
- Web Server
- SQL Compact Edition 3.5
- .NET Compact Framework 3.5
- Virtual CE Pro (VCEP)

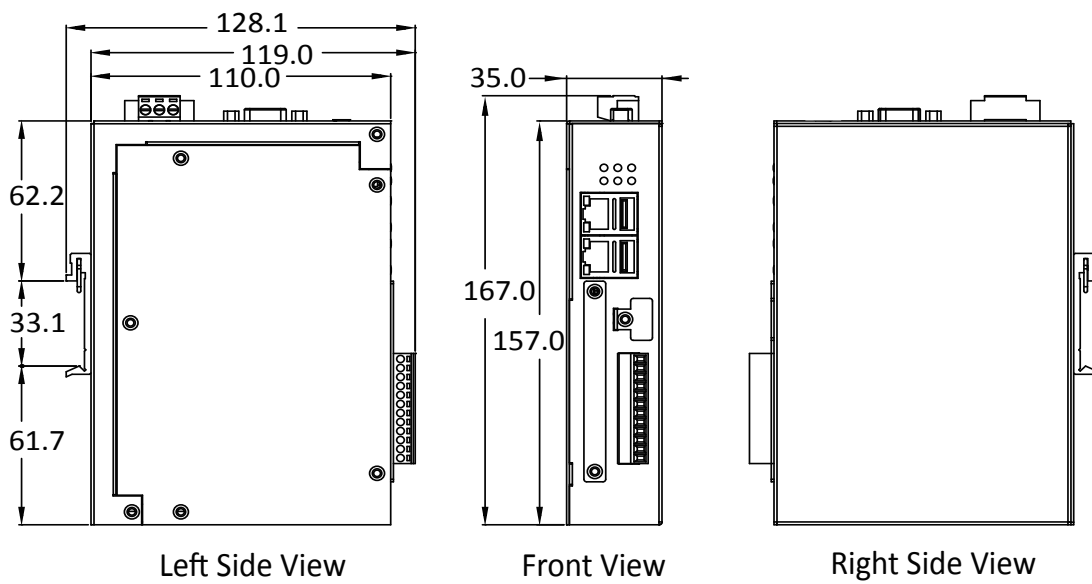
Specifications

型號	WP-2241M-CE7
System Software	
OS	Windows CE 7.0 Professional
.Net Compact Framework	3.5
Embedded Service	FTP server, Web server
SDK Provided	Dll for Visual Studio.Net 2008
Multilanguage Support	English, German, French, Spanish, Russian, Italian, Korean, Simplified Chinese, Traditional Chinese
CPU Module	
CPU	Cortex-A8, 1GHz
DDR3 SDRAM	512 MB
Flash	256 MB
FRAM	16 KB
Expansion Flash Memory	microSD socket with one microSD card (support up to 32 GB microSDHC card)
RTC (Real Time Clock)	Provide second, minute, hour, date, day of week, month, year
Hardware Serial Number	Yes, 64-bit hardware serial number for software copy protection
Dual Watchdog Timers	Yes
LED Indicators	3 LED indicators for 3G, Power and Running; 3 LED for user defined
Rotary Switch	Yes (0 to 9)
VGA and Communication Ports	
VGA Resolution	640 × 480, 800 × 480, 800 × 600, 1024 × 768
Ethernet	RJ-45 x 2, 10/100/1000 Based-TX (Auto-negotiating, Auto MDI/MDI-X, LED indicators)
USB 2.0 (host)	2
COM 1	RS-232 (RxD, TxD and GND); Non-isolated
COM 2	RS-232 (RxD, TxD and GND); Non-isolated
COM 3	RS-485 (Data+, Data-); Non-isolated
COM 4	RS-485 (Data+, Data-); 2500 VDC isolated
I/O Expansion	
I/O Expansion Bus	Yes, one optional XV-board
Mechanical	
Casing	Metal
Dimensions (W x L x H)	35 mm x 167 mm x 119 mm
Installation	DIN-Rail Mounting
Environmental	
Operating Temperature	-25 to +75 °C
Storage Temperature	-40 to +80 °C
Ambient Relative Humidity	10 to 90% RH (non-condensing)
Power	
Input Range	+12 to +48 VDC
Consumption	4.8 W (0.2 A @ 24 VDC)

Appearance



Dimension



Ordering Information

WP-2241M-CE7	Standard WP-2000-CE7 with WinCE 7.0
---------------------	-------------------------------------

Option Accessories

XV-Board	Add-on I/O Expansion Board
-----------------	----------------------------