

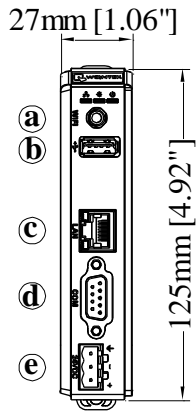


### Feature

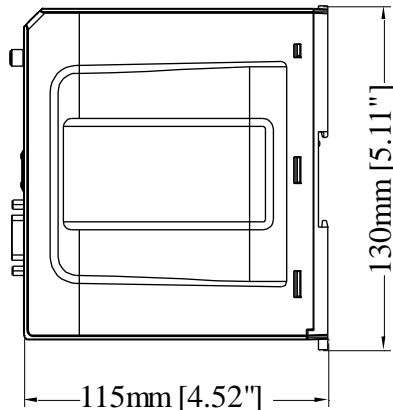
- Supports Display on cMT Viewer clients
- Compact Design and DIN-rail Mountable
- Fan-less Cooling System
- Built-in 256 MB Flash Memory
- SD Card Slot for Expansion of Storage
- One USB Host Port
- One Gigabit Ethernet Ports
- Supports E-mail
- Supports MPI 187.5K
- Built-in Power Isolator
- Wi-Fi compatible with 802.11 b/g/n
- cMT-SVR-202: Built-in EasyAccess 2.0 License
- Wide input voltage range: 10.5~28VDC

|                      |                       |   |
|----------------------|-----------------------|---|
| <b>Memory</b>        | Flash                 | 256 MB  |
|                      | RAM                   | 256 MB  |
| <b>Processor</b>     |                       | 32-bit RISC 600MHz  |
| <b>I/O Port</b>      | SD Card Slot          | SD/SDHC   |
|                      | USB Host              | USB 2.0 x 1   |
|                      | USB Client            | N/A   |
|                      | Ethernet              | 10/100/1000 Base-T x 1  |
|                      | Wi-Fi                 | IEEE 802.11 b/g/n<br>802.11b: max 18.01 dBm<br>802.11g: max 11.02 dBm<br>802.11n: max 12.20 dBm |
|                      | COM Port              | COM1: RS-232<br>COM2: RS-485 2W/4W<br>COM3: RS-485 2W   |
| <b>RTC</b>           |                       | Built-in  |
| <b>Power</b>         | Input Power           | 10.5~28VDC  |
|                      | Power Isolation       | Built In  |
|                      | Power Consumption     | 1000mA@12VDC ; 450mA@24VDC  |
|                      | Voltage Resistance    | 500VAC (1 min)  |
|                      | Isolation Resistance  | Exceed 50MΩ at 500VDC   |
|                      | Vibration Endurance   | 10 to 25Hz (X, Y, Z direction 2G 30 minutes)  |
| <b>Specification</b> | PCB Coating           | Yes   |
|                      | Enclosure             | Plastic   |
|                      | Dimensions WxHxD      | 27 x 130 x 115 mm   |
|                      | Weight                | Approx. 0.18 kg   |
|                      | Mount                 | 35 mm DIN rail mounting   |
| <b>Environment</b>   | Protection Structure  | IP20  |
|                      | Storage Temperature   | -20° ~ 70°C (-4° ~ 158°F)   |
|                      | Operating Temperature | -10° ~ 55°C (14° ~ 131°F)   |
|                      | Relative Humidity     | 10% ~ 90% (non-condensing)  |
| <b>Certificate</b>   | CE                    | CE marked   |
| <b>Software</b>      |                       | EasyBuilder Pro V6.02.02 or later versions  |

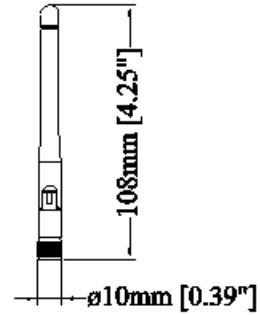
### Dimensions



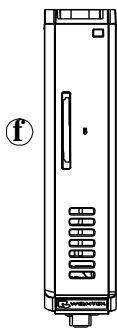
**Front View**



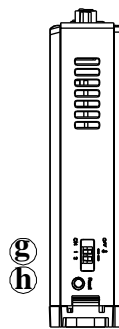
**Side View**



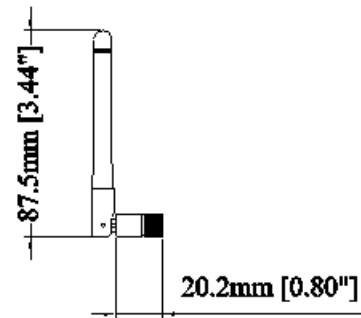
**Antenna**



**Top View**



**Bottom View**



**Pin Assignment:**  
COM1 RS232 2W  
COM2 RS485 2W/4W  
COM3 RS485 2W  
9 Pin, Male, D-sub

| PIN# | COM1<br>[RS-232]<br>2W | COM2<br>[RS-485] |     | COM3<br>[RS-485]<br>2W |
|------|------------------------|------------------|-----|------------------------|
|      |                        | 2W               | 4W  |                        |
| 1    |                        |                  |     | Data+                  |
| 2    | RxD                    |                  |     |                        |
| 3    | TxD                    |                  |     |                        |
| 4    |                        |                  |     | Data-                  |
| 5    | GND                    |                  |     |                        |
| 6    |                        | Data+            | Rx+ |                        |
| 7    |                        | Data-            | Rx- |                        |
| 8    |                        |                  | Tx+ |                        |
| 9    |                        |                  | Tx- |                        |

|           |   |
|-----------|---|
| <b>a.</b> | Wi-Fi   |
| <b>b.</b> | USB Host Port                                     |
| <b>c.</b> | Ethernet Port                                     |
| <b>d.</b> | COM1: RS-232, COM2: RS-485 2W/4W, COM3: RS-485 2W |
| <b>e.</b> | Power Connector                                   |
| <b>f.</b> | SD Card Slot                                      |
| <b>g.</b> | DIP Switch  |
| <b>h.</b> | Reset Button                                      |

### Ordering Information

- |  |   |
|--|---|
| <input type="checkbox"/> <b>cMT-SVR-200:</b><br>256 MB flash memory<br>256 MB RAM on board<br>10/100/1000M Ethernet port x 1<br>Antenna 2dBi | <input type="checkbox"/> <b>cMT-SVR-202:</b><br>256 MB flash memory<br>256 MB RAM on board<br>10/100/1000M Ethernet port x 1<br>Antenna 2dBi<br>Built-in EasyAccess 2.0 license |
|--|---|