



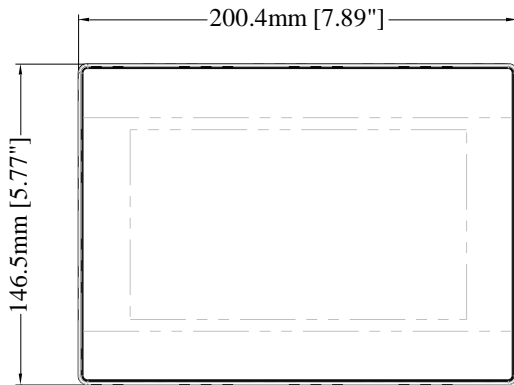
Human Machine Interface with 7" TFT LCD display

◆ Features

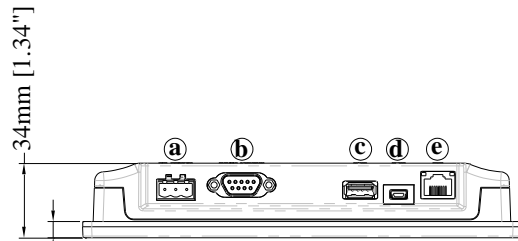
- 7" 800x480 TFT LCD
- Fan-less cooling system
- Built-in flash memory and RTC
- IP65 compliant front panel
- LED Back Light
- Com2 RS485 supports MPI 187.5K

Display	Display	7" TFT LCD
	Resolution	800 x 480
	Brightness (cd/m ²)	350
	Contrast Ratio	500:1
	Backlight Type	LED
	Backlight Life Time	>30,000 hrs.
	Colors	65536 colors
Touch Panel	Type	4-wire Resistive Type
	Accuracy	Active Area Length(X)±2%, Width(Y)±2%
Memory	Storage(MB)	128
	RAM (MB)	64
Processor		32Bit RISC CPU 400MHz
I/O Port	USB Host	USB 1.1 x 1
	USB Client	USB 2.0 x 1
	Ethernet	10/100 Base-T
	COM Port	COM1 RS-232 COM2 RS-485 2W/4W
RTC		Built-in
Power	Input Power	24±20%VDC
	Power Consumption	300mA@24VDC
	Voltage Resistance	500VAC (1 minute)
	Isolation Resistance	Exceed 50MΩ at 500VDC
	Vibration Endurance	10 to 25Hz(X,Y,Z direction 2G 30 minutes)
Specification	Enclosure	Plastic
	Dimensions WxHxD	200.4 x 146.5 x 34mm
	Panel Cutout (mm)	192 x 138 (7.5" x 5.4")
	Weight (kg)	Approx. 0.52 kg (1.15lbs.)
Environment	Protection Structure	NEMA4 / IP65
	Storage Temperature	-20° ~ 60°C (-4° ~ 140°F)
	Operating Temperature	0° ~ 50°C (32° ~ 122°F)
	Relative Humidity	10% ~ 90% RH (non-condensing)
Certification		CE marked
Software		EasyBuilder8000 V4.65.10 or later versions

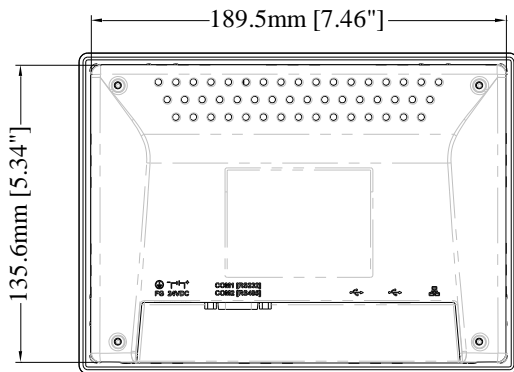
◆ Dimensions Drawing



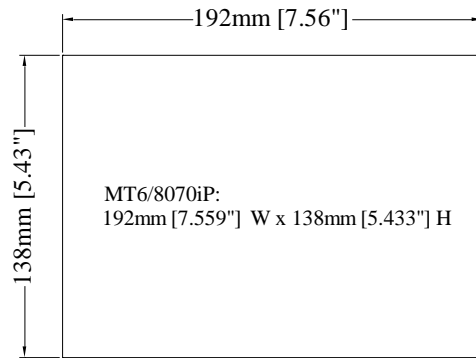
Front View



Bottom View



Rear View



Cutout Dimensions

MT6/8070iP:
192mm [7.559"] W x 138mm [5.433"] H

a	Power Connector	d	USB Client
b	Com1 RS232, Com2 RS485 2W/4W	e	Ethernet
c	USB Host		

Pin Assignment: 9 Pin, Male, D-sub
COM1 [RS-232], COM2 [RS-485]

Pin#	Symbol	Com1 [RS232]	Com2 [RS485]	
			4w	2w
1	Rx-		Rx-	Data-
2	Rx+		Rx+	Data+
3	Tx-		Tx-	
4	Tx+		Tx+	
5	GND	GND		
6	TxD	TxD		
7	RTS	RTS		
8	CTS	CTS		
9	RxD	RxD		

Ordering Information

- **MT8070iP:**
7" 800x480 TFT LCD HMI, built-in 128MB flash memory / 64MB DDR2 RAM on board.
- **RZCMT6100:**
USB download cable / Mini USB to USB 2.0 100 cm
- **RZCT60700:**
Multi-connector cable Com1 [232] / Com2 [485]