



WF-2017

Quick Start

Nov. 2013 Version 1.0

「 WF-2017 」 Package Checklist

The package includes the following items:

- One WF-2017 module
- One Quick Start
- One software utility CD
- One screw driver
- One RS-232 cable (CA-0910)
- One Antenna 2.4GHz - 5 dBi (ANT-124-05)



Note:

If any of these items are missed or damaged, contact the local distributors for more information. Save the shipping materials and cartons in case you want to ship in the future.

● Appearance and pin assignments

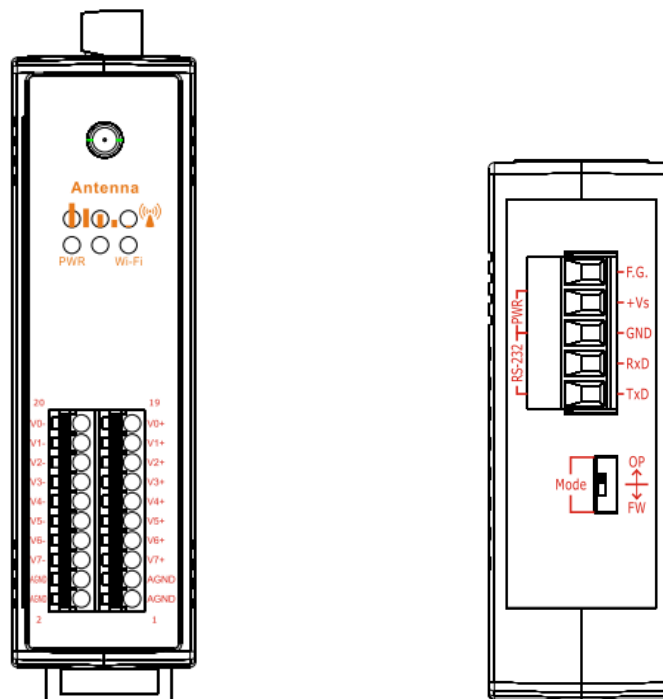


Figure 1: Appearance of the WF-2017

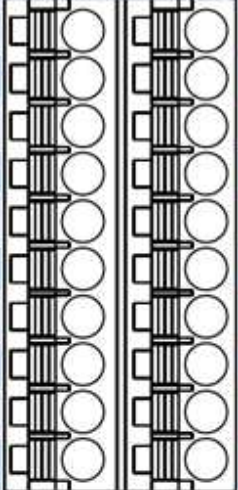
Pin Assignment Name		Terminal No.	Pin Assignment Name	
V0-/V8+	20		19	V0+
V1-/V9+	18		17	V1+
V2-/V10+	16		15	V2+
V3-/V11+	14		13	V3+
V4-/V12+	12		11	V4+
V5-/V13+	10		9	V5+
V6-/V14+	8		7	V6+
V7-/V15+	6		5	V7+
AGND	4		3	AGND
AGND	2		1	AGND

Figure 2: I/O Connector of WF-2017

Table 1: Power/Signal Connector

Power/Signal connector	
Pin Assignment	Description
F.G	Frame Ground
+Vs	+10 ~ +30 VDC
GND	Power / RS-232 GND
RxD	RS-232 RxD
TxD	RS-232 TxD

Operating Mode Selector Switch

FW mode: Firmware update mode

OP mode: Firmware operation mode

● Hardware Connection

Power and Serial port connection

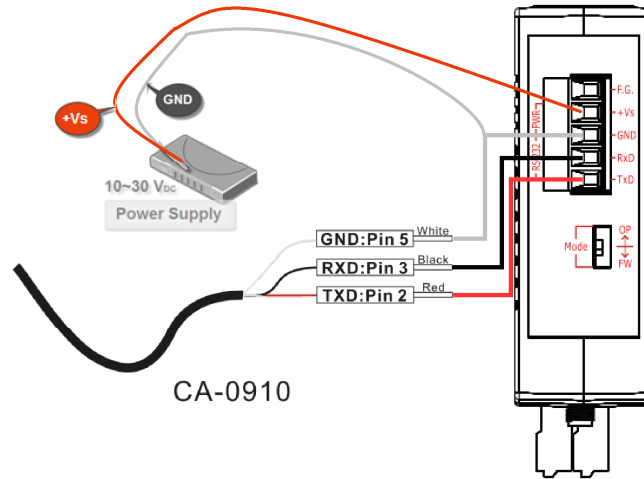


Figure 4: Power and Serial port wire connection

I/O connection

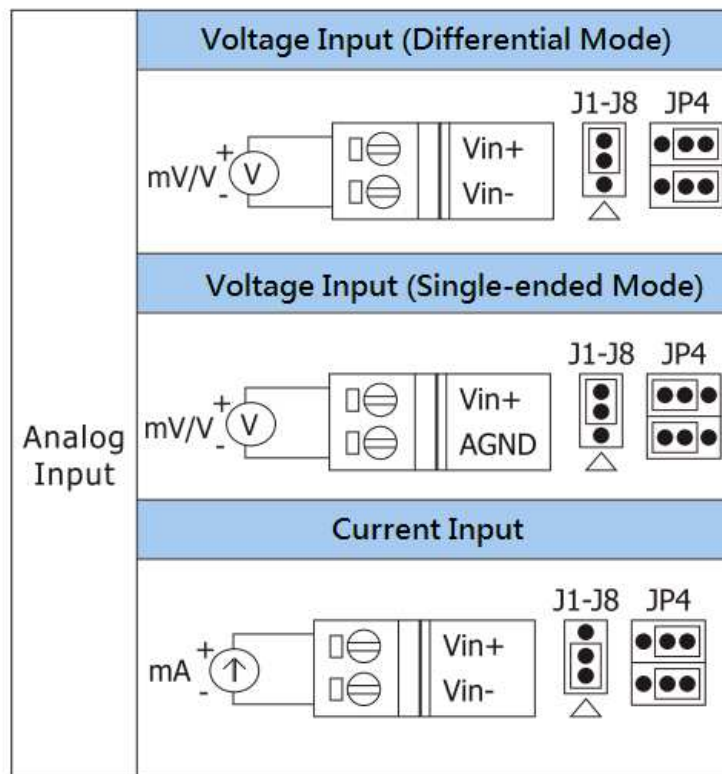


Figure 5: Wire connections

● Installation

Before use, associated hardware configuration, the steps described as follows :

Step 1: Checking the WF-2000 series firmware operation mode

It needs to set the DIP switch to the "OP" position (operation mode), as resetting the power, WF-2000 series will be in the operation mode.

Step 2: Serial port connection

WF-2000 series supports RS-232 serial communication. The circuit configuration is as shown in Figure 4.

If you do not need parameter setting, this step can be omitted.

Step 3: Power connection

Connect the power supply to WF-2000 series' power terminator, as shown in Figure 4.

WF-2000 series connection setting

WF-2000 Series Wireless Network Configuration

The screenshot displays the 'WF-2017 NetworkConfig (192.168.0.248)' web interface. It is divided into three main sections: Network, Wi-Fi, and General.

- Network Section:**
 - NetID: 1 (dropdown)
 - DHCP Enable
 - IP Address: 192 168 255 1
 - Subnet Mask: 255 255 255 0
 - Gateway: 192 168 255 254
 - MAC Address: 00-1D-C9-01-99-99
- Wi-Fi Section:**
 - Wi-Fi Modes: Ad-Hoc (dropdown)
 - SSID Auto Search (with Search button)
 - SSID: WF-2017
 - Encryption: NONE (dropdown)
 - Wireless Key: (empty text box)
 - Wireless CH: 2 (dropdown)
- General Section:**
 - F/W Version: 1.0
 - Date Created: 2013/11/12
 - Auto Disconnect
 - Comm. Net ID: 1 (dropdown)
 - RS-232: (dropdown) COM1 (dropdown)
 - Buttons: Write Parameter, Read Parameter

Figure 6: Wi-Fi Configuration

- 01 、 Net ID : The Unit Identifier in Modbus TCP/IP application data unit. This case is set as "1".
- 02 、 IP Address: WF-2000 series' IP address. Here set to "192.168.255.1".
- 03 、 Subnet Mask : Net Mask settings. Here set to "255. 255. 255.0".
- 04 、 Gateway : Gateway settings. Here set to "192.168.255.254".
- 05 、 Wi-Fi Mode : Wireless network connection mode settings. Here set to "Ad-Hoc" mode. (If select the "AP" mode, wireless AP devices is needed.)
- 06 、 SSID : Service set identifier. Here set to "WF-2017".
- 07 、 Encryption : Encryption mode settings. Here set "NONE" (without encryption).
- 08 、 Wireless Key : Wireless encryption Key. Here does not have the setting.
- 09 、 Wireless CH : Wi-Fi connection channel settings. Here set to "2".
- 10 、 Upload parameters : After completing the settings above, select the "RS-232" interface, communication "Net ID" and "COM Num". Press "Write Parameter" button to upload the parameters.

PC Wireless Network Configuration and Connection

01 、 TCP/IP Setting :

- a. Entry the **IP address** as "192.168.255.x", where "x" is a number between 1 and 254 **except 1**, **Subnet mask** as "255.255.255. 0". Finally, press "OK" button.

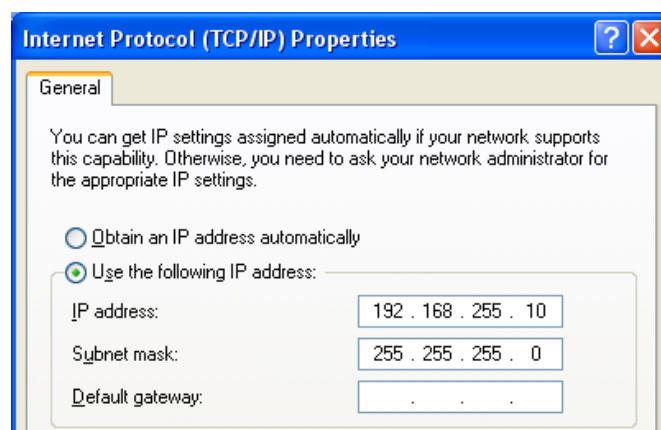


Figure 7: IP address configuration interface

02 \ Wireless network connection :

- a. View available wireless networks and you can see the "WF-2017" wireless network in the list.
- b. Select the "WF-2017" and press the "Connect" button.
- c. After waiting for a while, there will appear connection success screen.

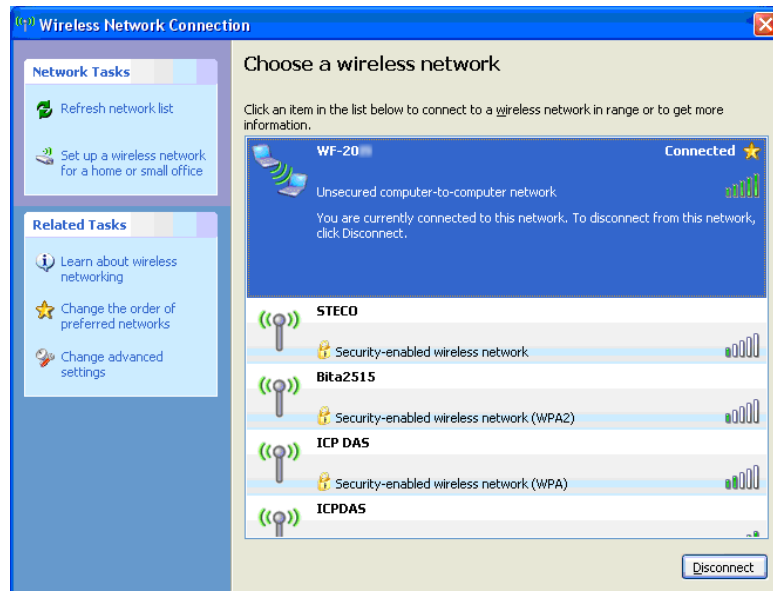


Figure8: Connection successful interface

Access I/O data

01 \ Connection with Modbus TCP utility

- a. Open Modbus TCP utility and key in the IP address as "192.168.255.1", Port as "502". Finally, press the "Connect" button.
- b. If the network settings are correct, this will immediately establish a connection.
- c. Use the function code "0x04", and set the Reference Number as "0x00", Word Count as "0x11" to get the AI value.

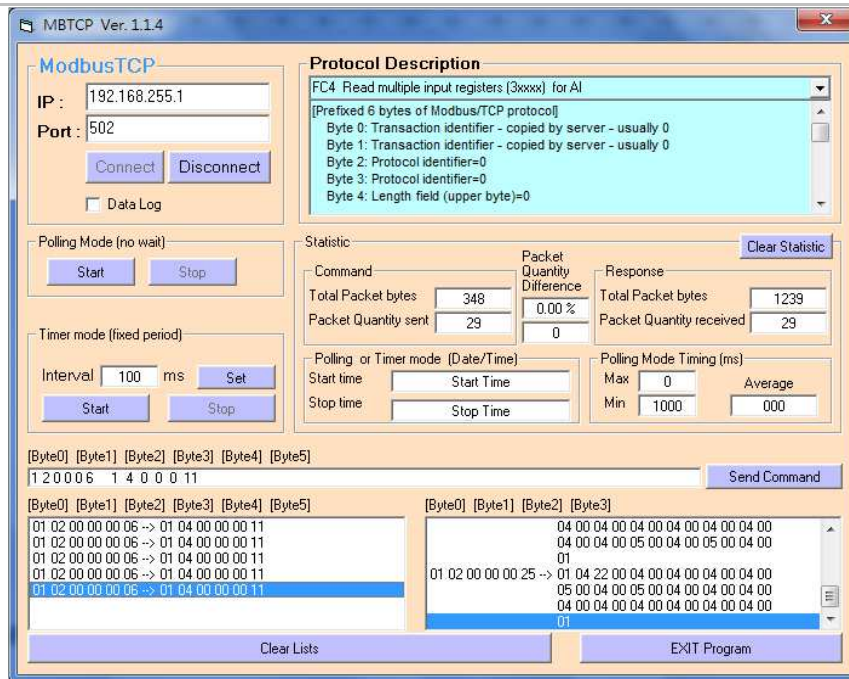


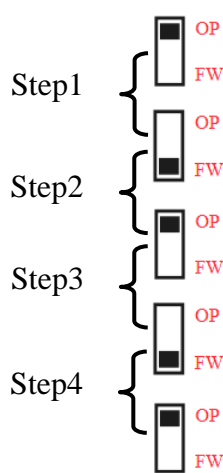
Figure 9: Analog Input reading screen

WF-2017 AI Address Mapping

Table 2: (3xxxx) AI address

Begin Address	Points	Descriptions	Range	Access Type
30001 (0x0)	0~15	Analog Input	-32768 ~ +32767	R
30017 (0x10)	1	AI Wire Select	0 ~ 1 0 => Differential 1 => Single-Ended	R

Troubleshooting

Item	Problem Description	Solution
1	Power Failure (PWR LED Off)	1. Please return to the ICP DAS for inspection and repair
2	WLAN connection can not be established	<ol style="list-style-type: none"> 1. Make sure that the service set identifier device (SSID) settings are the same. 2. Make sure Wi-Fi transmission Channel settings are the same. 3. Make sure encryption is set, encryption keys are the same way 4. Make sure antenna is connected 5. Please confirm whether there are barriers on the scene. That could result in poor signal quality.
3	TCP connection can not be established	<ol style="list-style-type: none"> 1. Make sure WLAN connection is established successfully 2. Make sure the network configuration is good (TCP / IP Port, Local IP, Net Mask)
4	<p>How to restore factory default</p>  <p>The diagram illustrates four steps for restoring factory defaults using a dip-switch. Each step shows a switch being moved from one position to another. The positions are labeled 'OP' (Open) and 'FW' (Factory Default). Step 1: Switch is moved from OP to FW. Step 2: Switch is moved from FW to OP. Step 3: Switch is moved from OP to FW. Step 4: Switch is moved from FW to OP.</p>	<ol style="list-style-type: none"> 1. Power on the WF-2000 series I/O module 2. Change the Dip-Switch position of the WF-2000 series and to complete the following steps in 5 seconds. <ul style="list-style-type: none"> Step1. From "OP" to "FW" position. Step2. From "FW" to "OP" position. Step3. From "OP" to "FW" position. Step4. From "FW" to "OP" position. 3. When the correct implementation of the above steps, the Signal Strength LEDs and PWR/Wi-Fi LEDS of the WF-2000 series should be turn on, and that should be turn off after 500 ms later. 4. Reset the power the WF-2000 series would back to factory defaults.

● Technical Support

If you have problems about using the WF-2000 series I/O module, please contact ICP DAS Product Support.

Email: service@icpdas.com