



I-7088(D)

M-7088(D)

8-channel PWM Output and 8-channel High Speed Counter Module

Features

- 8-channels PWM Output and 8-channels Counter Input
- Burst Mode and Continuous Mode for PWM Output
- Software and Hardware Trigger Mode for PWM Output
- Individual and Synchronous PWM Output
- High Speed Counters
- 4 kV ESD and EFT Protection
- Dual Watchdog
- Wide Operating Temperature Range: -25 ~ +75°C



Introduction

The I-7088 provides 8-channel PWM output and 8-channel counter input, and can be used to develop powerful and cost-effective analog control systems. PWM (Pulse Width Modulation) is a powerful technique for controlling analog circuits that uses digital outputs to generate a waveform with a variable duty cycle and frequency which can be used to control analog circuits. It can be used to control the position or speed of motors, the brightness of lamps or the speed of fans... etc. Either burst mode or continuous mode can be used for PWM outputs depending on your situation. In addition, all digital input channels can be used as high-speed counters with a speed of up to 1 MHz. The M-7088 supports Modbus RTU and DCON protocols, which can be configured via software, and all hardware specifications are the same as the I-7088.

Applications

- Controlling the position/speed of motors
- Dimming the brightness of lamps
- Controlling the speed of fans

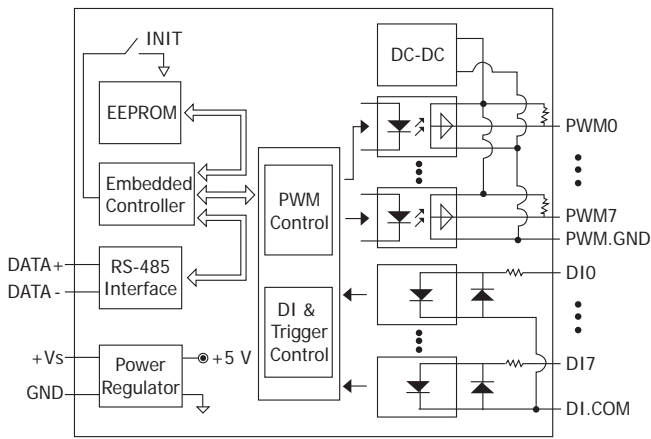
System Specifications

Model	I-7088	I-7088D	M-7088	M-7088D
Communication				
Interface	RS-485			
Format	(N, 8, 1) (N, 8, 2) (E, 8, 1) (O, 8, 1)			
Baud Rate	1200 ~ 115200 bps			
Protocol	DCON		Modbus RTU, DCON	
Dual Watchdog	Yes, Module (1.6 Seconds), Communication (Programmable)			
LED Indicator/Display				
System LED Indicator	Yes, 1 LED as Power/Communication Indicator			
I/O LED Indicator	-			
7-Segment LED Display	-	Yes	-	Yes
Isolation				
Intra-module Isolation, Field-to-Logic	2500 Vdc			
EMS Protection				
ESD (IEC 61000-4-2)	+/-4 kV			
EFT (IEC 61000-4-4)	+/-4 kV			
Power				
Reverse Polarity Protection	Yes			
Input Range	10 ~ 30 Vdc			
Consumption	2.9 W	3.4 W	2.9 W	3.4 W
Mechanical				
Dimensions (W x L x H)	72 mm x 123 mm x 35 mm			
Installation	DIN-Rail or Wall Mounting			
Environment				
Operating Temperature	-25 ~ +75°C			
Storage Temperature	-40 ~ +85°C			
Humidity	10 ~ 95% RH, Non-condensing			

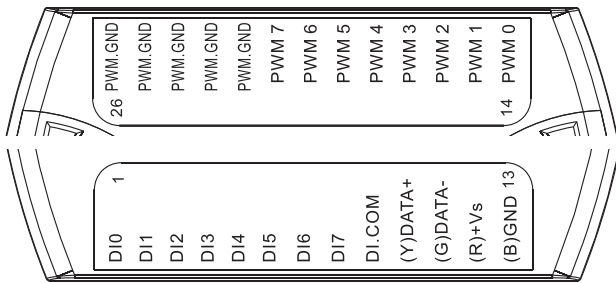
I/O Specifications

Model	I-7088	I-7088D	M-7088	M-7088D
Digital Input				
Channels	8			
Contact	Wet			
Sink/Source (NPN/PNP)	Sink			
On Voltage Level	+3.5 ~ +5 Vdc			
Off Voltage Level	+1 Vdc Max.			
Programmable Filter	-			
Programmable Threshold Voltage	-			
Counter Bits	32-bit			
Counter Mode	Up			
Encoder Mode	-			
Frequency Mode	-			
Virtual Battery Backup	Yes			
Frequency Accuracy	-			
Max. Speed	1 MHz			
Digital Output				
Channels	8			
Type	PWM, TTL			
Sink/Source (NPN/PNP)	Sink			
Load Voltage	+3.5 ~ +5 Vdc			
Max. Load Current	Sink	+5 Vdc @ 10 mA/Channel		
	Source	+5 Vdc @ 1 mA/Channel		
PWM	Frequency	1 Hz ~ 500 KHz		
	Duty Cycle	0.1 ~ 99.9%		
	Mode	Burst, Continuous		
	Burst Count	1 ~ 65535		
	Trigger Start	Hardware or Software		
Power-on Value	-			
Safe Value	-			

Internal I/O Structure



Pin Assignments



Wire Connections

Input Type	ON State Readback as 1	OFF State Readback as 0
Relay Contact	Relay ON 	Relay OFF
	Voltage > 5 V	Voltage < 0.8 V
TTL/ CMOS Logic	Logic Level High 	Logic Level Low
	Open Collector ON 	Open Collector OFF
PNP Output	Open Collector ON 	Open Collector OFF
	Open Collector ON 	Open Collector OFF

Output Type	ON State Readback as 1	OFF State Readback as 0
Sink	Relay ON 	Relay OFF
	Relay ON 	Relay OFF

Ordering Information

I-7088-G CR	8-channel PWM Output and 8-channel High Speed Counter Module with DCON Protocol (Gray Cover) (RoHS)
I-7088D-G CR	I-7088 with 7-segment LED Display (Gray Cover) (RoHS)
M-7088-G CR	8-channel PWM Output and 8-channel High Speed Counter Module with DCON and Modbus Protocol (Gray Cover) (RoHS)
M-7088D-G CR	M-7088 with 7-segment LED Display (Gray Cover) (RoHS)

Accessories

	tM-7520U CR	RS-232 to RS-485 Converter (RoHS)
	tM-7561 CR	USB to RS-485 Converter (RoHS)
	tM-SG4 CR	RS-485 Bias and Termination Resistor Module (RoHS)
	I-7514U CR	4-channel RS-485 Hub (RoHS)
	SG-770 CR	7-channel differential or 14-channel single-ended surge protector (RoHS)
	SG-3000 series	Signal Conditioning Modules for Thermocouple, RTD, DC Voltage, DC Current and Power Inputs

2
3

RS-485 Remote I/O Modules

I-7088/I-7088D/M-7088/M-7088D