



## I-7067/I-7067D

7-channel Relay Output Module

### Introduction

I-7067 features 7-channel Form A power relay outputs. I-7067D also has 7 LED indicators for power relay outputs. There are options for power on value and safe value for your consideration. All DO channels have 4KV ESD protection.

### I/O Specifications

Relay Output		
Output Channels		7
Relay Type		Form A relay SPST (N.O.)
Contact Rating	AC	0.5 A @ 120 V <sub>ac</sub>
	DC	1 A @ 24 V <sub>dc</sub>
Operating Time (Max.)		5 ms
Release Time (Min.)		2 ms
Surge Strength		1500 V <sub>ac</sub>
Life Time	Mechanical	20 x 10 <sup>6</sup> OPS
	Electrical	100 x 10 <sup>3</sup> Full Load

### Relay Output

#### Features

- 7 Form A Power Relay
- 4 kV ESD Protection
- Power On Value Setting
- Safe Value Setting
- RoHS Compliance
- Dual Watchdog
- Wide Range of Operating Temperature: -25 °C ~ +75 °C



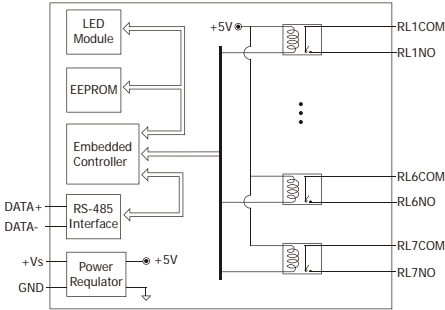
### Applications

Building Automation, Factory Automation, Machine Automation, Remote Maintenance, Remote diagnosis, Testing Equipment.

### System Specifications

Interface		
Interface		RS-485
Format		N, 8, 1
Baud Rate		1200 ~ 115200 bps
LED Display	1 LED as Power/Communication Indicator	
	7 LEDs as relay output indicators (for I-7067D)	
Power		
Input Voltage Range		+10 V <sub>dc</sub> ~ +30 V <sub>dc</sub>
Power Consumption	I-7067	1.5 W
	I-7067D	2.2 W
Environment		
Operating temperature		-25 °C ~ +75 °C
Storage temperature		-40 °C ~ +85 °C
Humidity		5 ~ 95% RH, non-condensing
Dimensions		72 mm x 122 mm x 35 mm (W x L x H)

## Internal I/O Structure

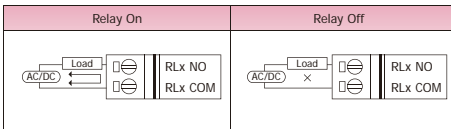


## Pin Assignment

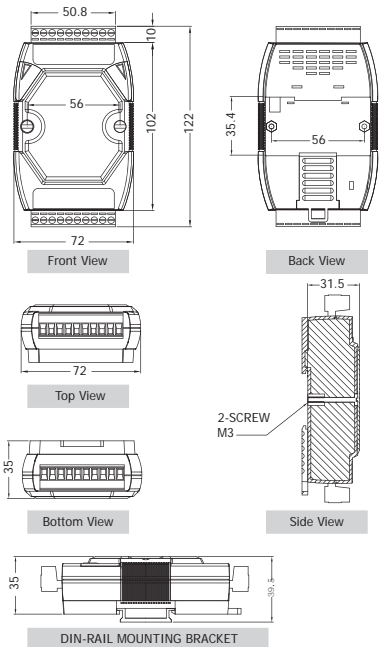
Terminal No.	Pin Assignment
01	RL6 NO
02	RL6 COM
03	RL7 NO
04	RL7 COM
05	--
06	INIT*
07	(Y)DATA+
08	(G)DATA-
09	(R)+Vs
10	(B)GND

Terminal No.	Pin Assignment
20	RL5 COM
19	RL5 NO
18	RL4 COM
17	RL4 NO
16	RL3 COM
15	RL3 NO
14	RL2 COM
13	RL2 NO
12	RL1 COM
11	RL1 NO

## Wire Connection



## Dimensions (Unit: mm)



## Ordering Information

I-7067 CR	7-channel Relay Output Module (RoHS)
I-7067D CR	I-7067 with LED Display (RoHS)

## Related Products

Converters	USB, RS-232, Fiber Optical to RS-485 Converters and Repeaters
Power Supply	24 Vdc Power Supply
Relay Module	External Relay Modules for I-7000 DO Module

Learning Kit	Starter Learning Kit
Application Books	Application Books Designed with Our Products
Data Logger Software	User Friendly Data Logger Software (free)