

XV119

9-channel Signal Relay Output Module

Introduction

The XV119 provides 9 Form A Signal relay output channels. The XV119 also provides options for configuring power-on and safe digital output values. 4 kV ESD protection and 3750 VDC intra-module isolation are also provided to enhance noise immunity capabilities in industrial environments.

System Specifications

Communication	
Interface	RS-232/TTL
Format	N, 8, 1
Baud Rate	115200 bps
Protocol	Modbus/RTU
Dual Watchdog	Yes, Module (2.3 seconds), Communication (Programmable)
Isolation	
Intra-module Isolation, Field-to-Logic	3750 VDC
EMS Protection	
ESD (IEC 61000-4-2)	±4 kV Contact For each Terminal ±8 kV Air For Random Terminal
Power	
Reverse Polarity Protection	-
Power from Terminal Block	5 VDC
Consumption	1.6 W Max.
Mechanical	
Dimensions (W x L x H)	59 mm x 82 mm x 13 mm
Environment	
Operating Temperature	-25 ~ +75°C
Storage Temperature	-30 ~ +80°C
Humidity	10 ~ 90% RH, Non-condensing

Features

- 9 Signal Relay Output channels
- 4 kV ESD Protection
- 3750 VDC Intra-module Isolation
- Configurable Power-on Value Settings
- Configurable Safe Value Settings
- Wide Operating Temperature Range: -25 ~ + 75°C



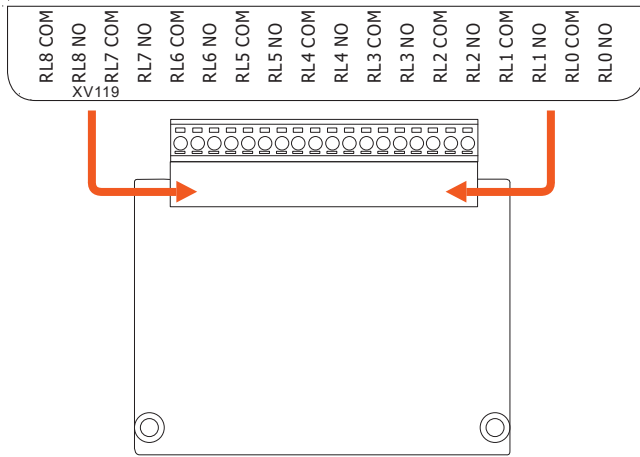
Applications

- Industrial Automation
- Building Automation
- Food and Beverage Systems
- Control Systems

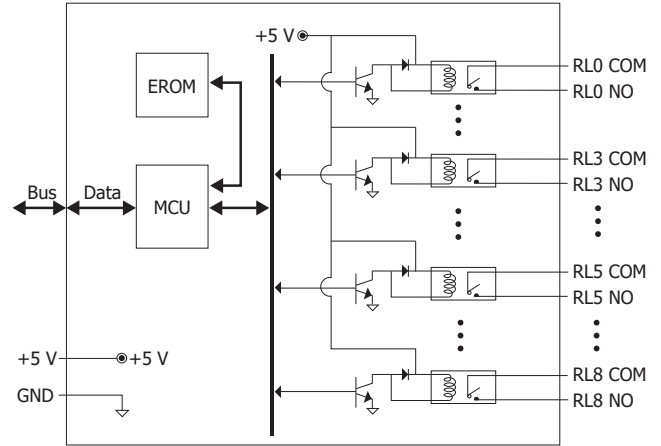
I/O Specifications

Relay Output		
Channels	9	
Type	Signal Relay	
Form A Relay	Contact Rating	2 A @ 30 VDC 0.24 A @ 220 Vdc 0.25 A @ 250 VAC
	Min. Contact Load	10 mA @ 20 mV
	Contact Material	Silver Nickel, Gold-covered
	Operate Time	3 ms (typical)
	Release Time	4 ms (typical)
	Mechanical Endurance	10 ⁸ ops.
Electrical Endurance	2 x 10 ⁵ ops.	
Power-on Value	Yes	
Safe Value	Yes	

Pin Assignments



Internal I/O Structure



Wire Connections

Signal Relay	Readback as 1	Readback as 0
Relay Output		

Ordering Information

XV119 CR	9-channel Signal Relay Output Module (RoHS)
-----------------	---