



## I-8046W-G

16-channel Isolated Digital Input Module

### Features

- Source Type Digital Input
- Photocouple-isolation protection
- Channel Status LED Indicators
- Long-distance Measurement
- 3750 VDC Intra-module Isolation
- Wide Operating Temperature Range: -25 ~ +75 °C



### Introduction

The I-8046W is a 16-channel Digital Input Module that can be used for long distance measurement, with an effective distance of up to 500 meters for Dry Contact connections. 16 LED indicators are provided for monitoring the status of the Digital Input channels. In addition to Photocouple-isolation,  $\pm 4$  kV ESD protection are provided as well as 3750 VDC intra-module isolation to enhance noise immunity capabilities in industrial environments.

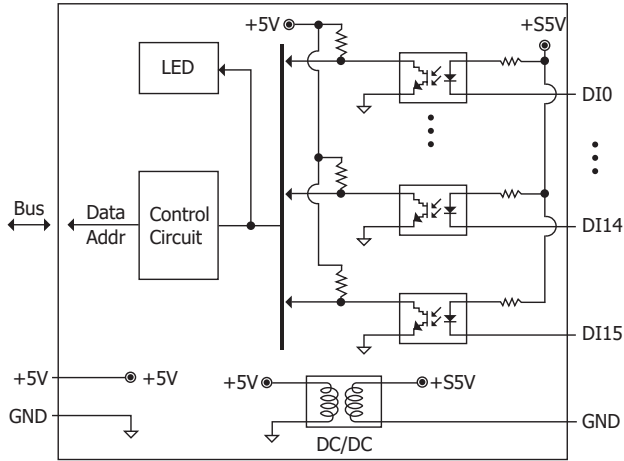
### System Specifications

LED Indicators/Display	
System LED Indicators	1 LED as Power Indicator
I/O LED Indicator	16 LEDs as Digital Input Indicators
Isolation	
Intra-module Isolation, Field-to-Logic	3750 VDC
EMS Protection	
ESD (IEC 61000-4-2)	$\pm 4$ kV Contact for Each Terminal
Power	
Power Consumption	1.3 W max.
Mechanical	
Dimensions (W x L x H)	30 mm x 102 mm x 115 mm
Environment	
Operating Temperature	-25 ~ +75 °C
Storage Temperature	-40 ~ +85 °C
Humidity	10 ~ 90% RH, Non-condensing

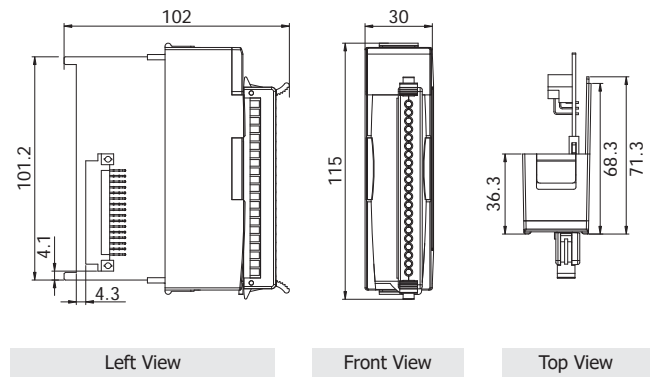
### I/O Specifications

Digital Input	
Channels	16
Type	Dry Contact
Sink/Source (NPN/PNP)	Source
ON Voltage Level	Connect to GND
OFF Voltage Level	Open
Effective Distance	500 m max.

## Internal I/O Structure



## Dimensions (Units: mm)



## Wire Connections

Input Type	ON State LED ON Readback as 1	OFF State LED OFF Readback as 0
Relay Contact	Relay ON 	Relay OFF 
TTL/ CMOS Logic	Voltage < +1 V 	Voltage > +3.5 V 
Open Collector	Open Collector ON 	Open Collector OFF 

## Pin Assignments

Terminal No.	Pin Assignment
01	DI0
02	DI1
03	DI2
04	DI3
05	DI4
06	DI5
07	DI6
08	DI7
09	DI8
10	DI9
11	DI10
12	DI11
13	DI12
14	DI13
15	DI14
16	DI15
17	GND
18	GND
19	GND
20	GND

## Ordering Information

<b>I-8046W-G CR</b>	16-channel Isolated Digital Input Module (Gray Cover) (RoHS)
---------------------	--