



I-9024

4-channel 14-bit Analog Output Module

Features

- 4-channel Voltage or Current Output
- Individual Channel Configuration
- Short Circuit Protection
- Open Wire Detection for Current Output
- RF Immunity
- 4 kV ESD Protection
- 3000 VDC Intra-module Isolation
- Wide Operating Temperature Range: -25 to +75 °C



Introduction

The I-9024 is a 14-bit analog output module, which offers 4 single-ended analog output channels. Every channel can be programmed to an individual output range of ± 10 V or $0 \sim +20$ mA.

The I-9024 provides RF immunity level matching that defined by IEC 61000-4-3 standard, together with 4 kV ESD protection as well as 3000 VDC intra-module isolation.

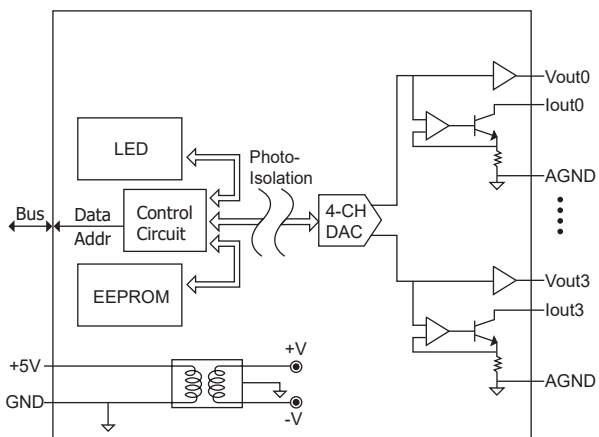
System Specifications

LED Display	
System LED Indicator	1 LED as Power Indicator
I/O LED Indicator	-
Isolation	
Intra-module Isolation, Field-to-Logic	3000 Vdc
EMS Protection	
ESD (IEC 61000-4-2)	± 4 kV Contact for each Terminal ± 8 kV Air for Random Point
Power	
Power Consumption	2 W Max.
Mechanical	
Dimensions (W x L x H)	31 mm x 134 mm x 144 mm
Environment	
Operating Temperature	-25 ~ +75 °C
Storage Temperature	-40 ~ +85 °C
Humidity	10 ~ 90% RH, Non-condensing

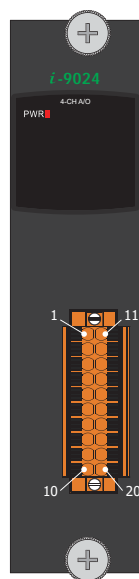
I/O Specifications

Analog Output		
Channels	4	
Current Output Wiring	Sink	
Range	± 10 V, $0 \sim +20$ mA	
Resolution	14-bit	
Accuracy	Voltage	$\pm 0.1\%$ of FSR
	Current	$\pm 0.2\%$ of FSR
Readback Accuracy	$\pm 1\%$ of FSR	
Zero Drift	Voltage	± 30 μ V/°C
	Current	± 0.2 μ V/°C
Span Drift	± 20 ppm/°C	
Voltage Output Capability	10 V @ 20 mA	
Max. Current Load Resistance	External+24V: 1050 Ω	

Internal I/O Structure

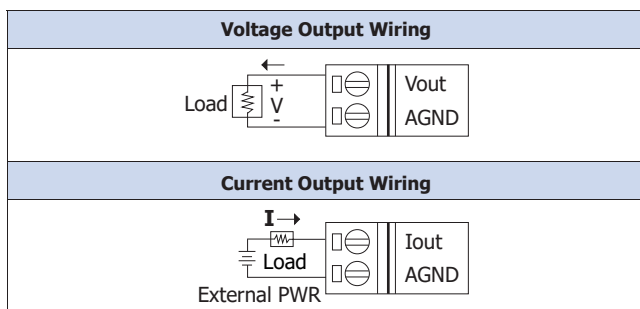


Pin Assignments

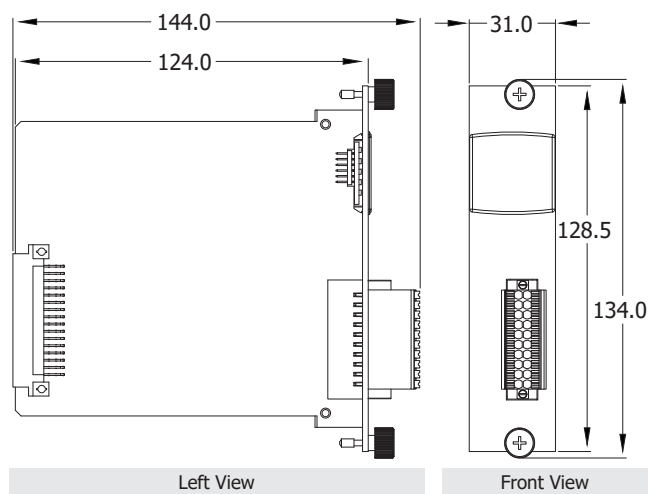


Pin Assignment	Terminal No.	Pin Assignment
VO0	01	I0
AGND	02	AGND
VO1	03	I1
AGND	04	AGND
VO2	05	I2
AGND	06	AGND
VO3	07	I3
AGND	08	AGND
-	09	-
F.G.	10	F.G.

Wire Connections



Dimensions (Units: mm)



Ordering Information

I-9024 CR	4-channel 14-bit Analog Output Module (RoHS)
------------------	--