



I-87063

4-ch Isolated DI and 4-ch Power Relay Module

I-87063-G

Features

- 4-channel Digital Input and 4-channel Relay Output
- Form C Power Relay Output
- Sink- and Source-type Digital Input Channels
- Digital Input Channels can be used as 16-bit Counters
- Configurable Power-on Value
- Configurable Safe Value
- 4 kV ESD Protection
- 3750 Vdc Intra-module Isolation



Introduction

The I-87063 module provides 4 isolated Digital Input channels and 4 Form C Relay Output channels. All Digital Input channels can be used as 16-bit counters. In addition, either sink- or source-type Digital Input can be selected via the wire connections. The I-87063 includes 8 LED indicators that can be used to monitor the status of the Digital Input and Relay Output, and options are available for configuring power-on and safe values. 4 kV ESD protection and 3750 V_{DC} intra-module isolation are also provided to enhance the noise protection capabilities of the module in harsh industrial environments.

Applications

- Building Automation
- Factory Automation
- Machine Automation
- Remote Maintenance
- Remote Diagnosis
- Testing Equipment

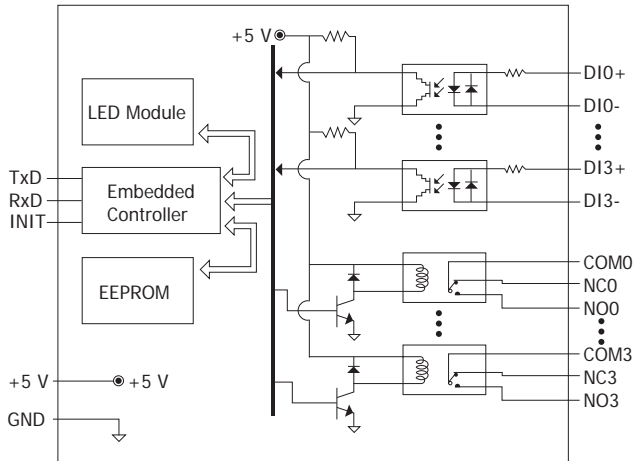
System Specifications

CPU Module	
Watchdog Timer	Yes, Module (1.6 Seconds), Communication (Programmable)
Isolation	
Intra-module Isolation	3750 V _{rms}
LED Indicators	
Status	1 x Power and Communication 8 x I/O
COM Ports	
Baud Rate	115200 bps
Data Format	N, 8, 1
Protocol	DCON
Power	
Power Consumption	1.0 W Max.
Mechanical	
Dimensions (W x L x H)	31 mm x 116 mm x 88 mm
Environment	
Operating Temperature	-25 ~ +75 °C
Storage Temperature	-30 ~ +75 °C
Humidity	5 ~ 95% RH, Non-condensing

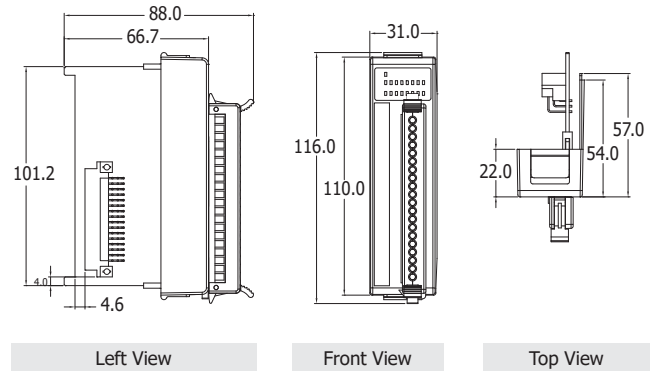
I/O Specifications

Digital Input	
Low Pass Filter	Yes
Digital Input/Counter	
Channels	4
Type	Wet Contact
Sink/Source (NPN/PNP)	Sink, Source
Wet Contact, ON Voltage Level	+3.5 V _{DC} ~ +30 V _{DC}
Wet Contact, OFF Voltage Level	+1 V _{DC} Max.
Max. Counts	16-bit (65535)
Frequency	100 Hz
Min. Pulse Width	5 ms
Input Impedance	3 kΩ, 0.25 W
Relay Output	
Channels	4 (Form C)
Type	Signal Relay
Contact Rating	Form C: 2 A @ 30 V _{DC} (Resistive Load) 0.6 A @ 125 V _{AC} (Resistive Load)
Operate Time	10 ms (Max.)
Release Time	5 ms (Max.)
Electrical Endurance	1 x 10 ⁵ ops.
Mechanical Endurance	5 x 10 ⁶ ops.
Power on Value	Yes
Safe Value	Yes

Internal I/O Structure



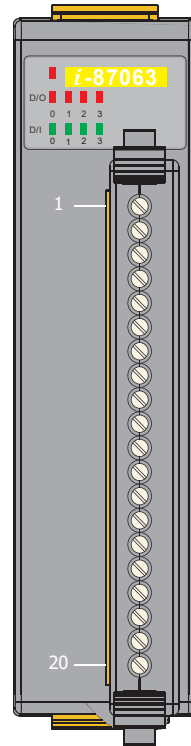
Dimensions (Units: mm)



Wire Connections

Digital Input/Counter	ON State Readback as 1	OFF State Readback as 0
Sink	OPEN or < +1 VDC	+4 ~ +30 VDC
Source	OPEN or < +1 VDC	+4 ~ +30 VDC
Output Type	ON State Readback as 1	OFF State Readback as 0
Relay Output		

Pin Assignments



Terminal No.	Pin Assignment
01	DI0+
02	DI0-
03	DI1+
04	DI1-
05	DI2+
06	DI2-
07	DI3+
08	DI3-
09	NO0
10	NC0
11	COM0
12	NO1
13	NC1
14	COM1
15	NO2
16	NC2
17	COM2
18	NO3
19	NC3
20	COM3

Ordering Information

I-87063 CR	4-ch Isolated DI (Wet) and 4-ch Form C Power Relay Module (Blue Cover) (RoHS)
I-87063-G CR	4-ch Isolated DI (Wet) and 4-ch Form C Power Relay Module (Gray Cover) (RoHS)