



I-8058

8-ch Isolated DI (80 ~ 250 VAC) Module

I-8058-G

Features

- 8-channel AC Digital Input
- Photocouple Isolation
- ±4 kV ESD Protection
- 3750 VDC Intra-module Isolation



Introduction

The I-8058 is an 8-channel AC Digital Input module with high voltage isolation. The ON voltage level for the module range can be between 80 ~ 250 VAC. The I-8058 include 8 LED indicators that can be used monitor DI channel status. 4 kV ESD protection and 3750 VDC intra-module isolation are standard.

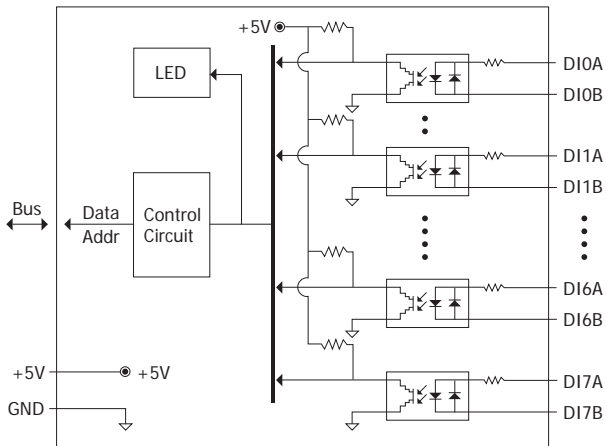
System Specifications

LED Indicators/Display	
System LED Indictors	1 LED as Power Indicator
I/O LED Indicators	8 LEDs as Digital Input Indicators
Isolation	
Intra-module Isolation, Field-to-Logic	3750 Vdc
EMS Protection	
ESD (IEC 61000-4-2)	±4 kV Contact for each Terminal
Power	
Power Consumption	0.6 W max.
Mechanical	
Dimensions (W x L x H)	31 mm x 116 mm x 88 mm
Environment	
Operating Temperature	-25 ~ +75 °C
Storage Temperature	-40 ~ +85 °C
Humidity	10 ~ 90% RH, Non-condensing

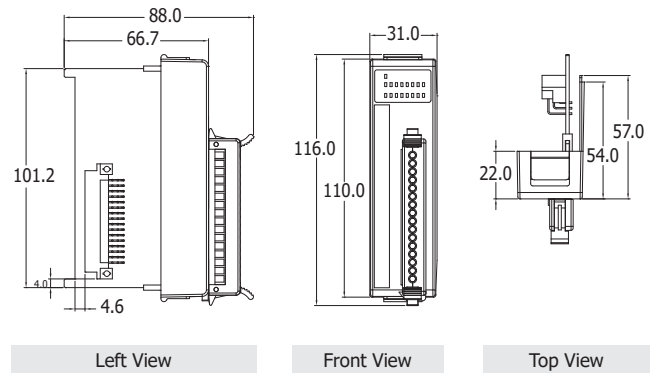
I/O Specifications

Digital Input	
Channels	8 AC (Differential)
Type	Wet Contact
On Voltage Level	80 ~ 250 VAC
Off Voltage Level	30 VAC max.
AC Frequency	50 ~ 400 Hz
Input Impedance	68 KΩ, 1 W

Internal I/O Structure



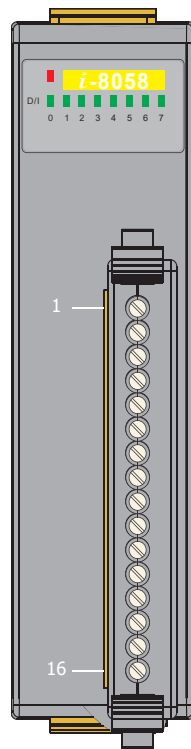
Dimensions (Units: mm)



Wire Connections

Input Type	ON State LED ON Readback as 1	OFF State LED OFF Readback as 0
	Voltage > 80 VAC	Voltage < 30 VAC
Relay Contact		

Pin Assignments



Terminal No.	Pin Assignment
01	DI0A
02	DI0B
03	DI1A
04	DI1B
05	DI2A
06	DI2B
07	DI3A
08	DI3B
09	DI4A
10	DI4B
11	DI5A
12	DI5B
13	DI6A
14	DI6B
15	DI7A
16	DI7B

Ordering Information

I-8058 CR	8-ch Isolated DI (80 ~ 250 VAC) Module (Blue Cover) (RoHS)
I-8058-G CR	8-ch Isolated DI (80 ~ 250 VAC) Module (Gray Cover) (RoHS)