



I-8060

I-8060-G

6-ch Power Relay Module

Features

- 6-channel Relay Output
- ±4 kV ESD Protection
- 1500 V_{rms} Intra-module Isolation



Introduction

The I-8060 module provides 6 Form C Relay Output channels. The I-8060 includes 6 LED indicators that can be used to monitor the status of the Relay Output. ±4 kV ESD protection and 1500 V_{rms} intra-module isolation are also provided to enhance the noise protection capabilities of the module in harsh industrial environments.

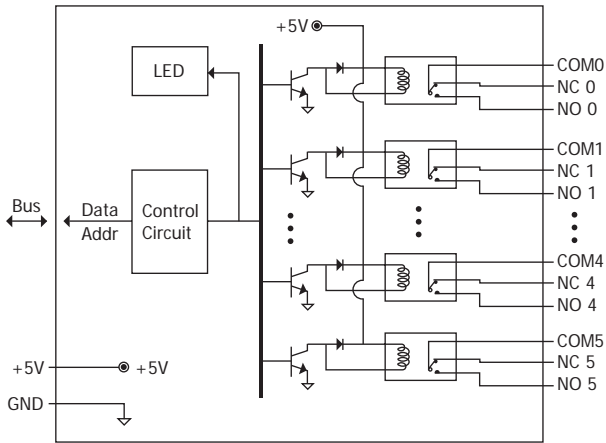
System Specifications

LED Indicators	
Power LED Indicator	1 LED as Power Indicator
I/O LED Indicator	6 LEDs as Relay Output Indicators
Isolation	
Intra-module Isolation, Field-to-Logic	1500 V _{rms}
EMS Protection	
ESD (IEC 61000-4-2)	±4 kV Contact for each Terminal
Power	
Power Consumption	1 W max.
Mechanical	
Dimensions (W x L x H)	31 mm x 116 mm x 88 mm
Environment	
Operating Temperature	-25 ~ +75 °C
Storage Temperature	-40 ~ +85 °C
Humidity	10 ~ 90% RH, Non-condensing

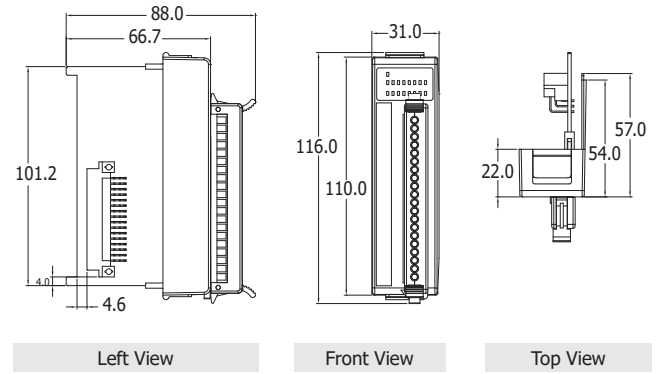
I/O Specifications

Relay Output	
Channels	6 (Form C)
Type	Power Relay
Contact Rating	0.5 A @ 125 VAC; 0.25 A @ 250 VAC; 2 A @ 30 VDC
Max. Operate Time	10 ms max.
Max. Release Time	5 ms max.
Relay Life	Electrical Endurance: 500,000 Min. @ 30 VDC @ 2 A, Resistive Mechanical Endurance: 100,000,000 Min.
Surge Strength	Between Open Contacts: 1000 V _{rms} (at 1 Minute) Between Coil and Contacts: 1500 V _{rms} (at 1 Minute)

Internal I/O Structure



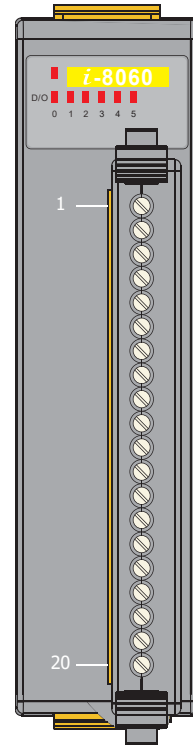
Dimensions (Units: mm)



Wire Connections

Output Type	ON State Readback as 1	OFF State Readback as 0
	Relay ON	Relay OFF
Relay Contact		

Pin Assignments



Terminal No.	Pin Assignment
01	NO0
02	NC0
03	COM0
04	NO1
05	NC1
06	COM1
07	NO2
08	NC2
09	COM2
10	NO3
11	NC3
12	COM3
13	NO4
14	NC4
15	COM4
16	NO5
17	NC5
18	COM5
19	-
20	-

Ordering Information

I-8060 CR	6-ch Form C Power Relay Module (Blue Cover) (RoHS)
I-8060-G CR	6-ch Form C Power Relay Module (Gray Cover) (RoHS)