



**I-8053PV-220VDC**  
16-channel Isolated Digital Input Module

### Features

- 16-channel Digital Inputs
- Photocouple Isolation
- LED indicators for power and digital inputs
- 4 kV ESD Protection
- 3750 Vrms Intra-module Isolation



### Introduction

The I-8053PV offers 16 channels for digital input, all channels feature photocouple isolation. 16 LED indicators are provided to monitor the DI channel status. 4 kV ESD protection and 3750 Vrms intra-module isolation are also provided to enhance noise immunity capabilities in industrial environments.

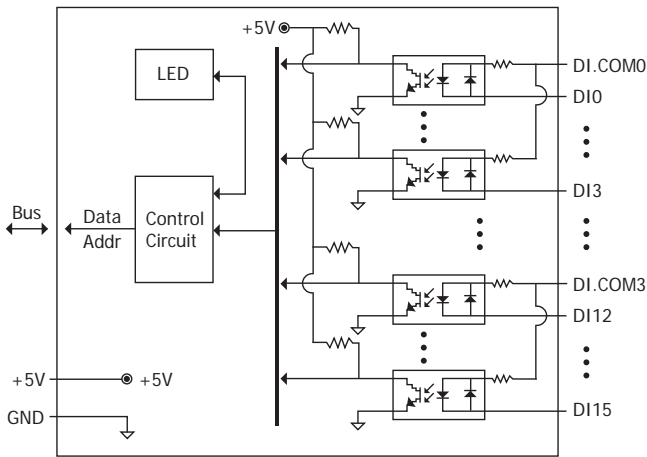
### System Specifications

Model	I-8053PV-220VDC
<b>LED Indicators/Display</b>	
System LED Indicators	1 LED as Power Indicator
I/O LED Indicators	16 LEDs as Digital Input Indicators
<b>Isolation</b>	
Intra-module Isolation, Field-to-Logic	3750 Vrms
<b>EMS Protection</b>	
ESD (IEC 61000-4-2)	±4 kV Contact for Each Terminal
<b>Power</b>	
Power Consumption	0.08 A @ 5 V = 0.4 W
<b>Mechanical</b>	
Dimensions (L x W x H)	102 mm x 30 mm x 115 mm
<b>Environment</b>	
Storage Temperature	-30 to +80°C
Humidity	10 to 90% RH, Non-condensing

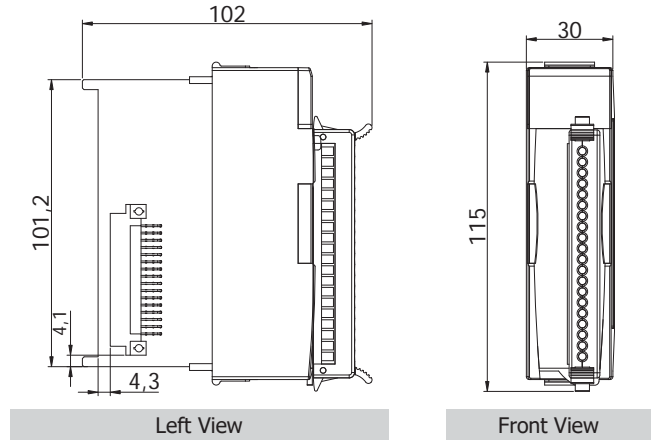
### I/O Specifications

Model	I-8053PV-220VDC
<b>Digital Input</b>	
Input Channels	16 (Sink/Source)
Input Type	Four Commons for All Inputs
Sink/Source (NPN/PNP)	Sink, Source
ON Voltage Level	+180 V ~ +220 V
OFF Voltage Level	+120 V Max.
Input Impedance	56 KΩ, 2 W

### Internal I/O Structure



### Dimensions (Units: mm)



### Wire Connections

Input Type	ON State LED ON Readback as 1	OFF State LED OFF Readback as 0
Relay Contact	Relay ON 	Relay OFF 
	Open Collector ON 	Open Collector OFF 
NPN Output	Open Collector ON 	Open Collector OFF 
	Open Collector ON 	Open Collector OFF 
PNP Output	Open Collector ON 	Open Collector OFF 

### Pin Assignments

Terminal No.	Pin Assignment
01	DI.COM0
02	DI0
03	DI1
04	DI2
05	DI3
06	DI.COM1
07	DI4
08	DI5
09	DI6
10	DI7
11	DI.COM2
12	DI8
13	DI9
14	DI10
15	IN11
16	DI.COM3
17	DI12
18	DI13
19	DI14
20	DI15

### Ordering Information

<b>I-8053PV-220VDC</b>	16-channel Isolated Digital Input Module
------------------------	--