



## I-87066W

8-channel DC SSR Output Module

### Introduction

The I-87066W module provides 8 DC Solid State Relay (SSR) Output channels. In comparison to electromechanical relays, SSR technology provides a faster response time and greater electrical endurance. The integration of DC SSR technology also eliminates the potential for arcing, bouncing, and switching noise. The I-87066W includes 8 LED indicators that can be used to monitor the status of the SSR output, and options are available for configuring power-on and safe values. 4 kV ESD protection and 3000 Vdc intra-module isolation are also provided to enhance noise protection capabilities of the module in harsh industrial environments.

### System Specifications

Communication	
Interface	RS-485
Format	N, 8, 1
Baud Rate	1200 to 115200 bps
Protocol	DCON
Dual Watchdog	Yes, Module (1.6 Seconds), Communication (Programmable)
LED Indicators/Display	
System LED Indicators	Yes, 1 as Power/Communication Indicator
I/O LED Indicators	8 as DC-SSR Output Indicators
Isolation	
Intra-module Isolation, Field-to-Logic	3000 Vdc
EMS Protection	
ESD (IEC 61000-4-2)	±4 kV Contact for each Terminal
	±8 kV Air for Random Point
Power	
Power Consumption	0.6 W Max.
Mechanical	
Dimensions (W × L × H)	30 mm × 115 mm × 102 mm
Environment	
Operating Temperature	-25 to +75°C
Storage Temperature	-40 to +85°C
Humidity	10 to 95% RH, Non-condensing

### Features

- 8-channel DC SSR Output
- Form A DC Solid State Relay Output
- Fast Operating/Release Time
- No Arcing, Bouncing, or Switching Noise
- 3000 VDC Intra-module Isolation
- Configurable Power-on Value
- Configurable Safe Value
- Unlimited Relay Lifetime
- 4 kV ESD Protection



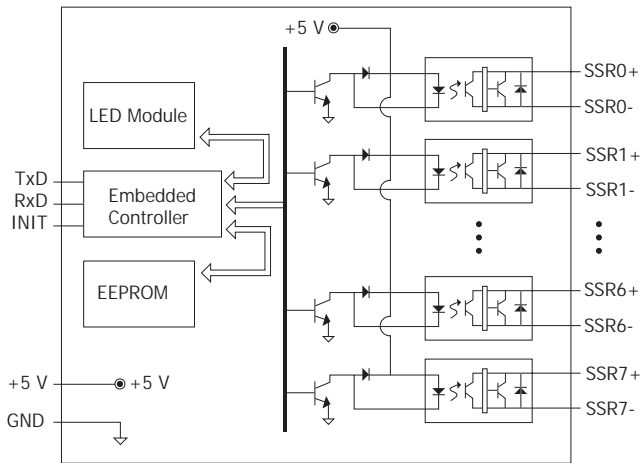
### Applications

- Building Automation
- Factory Automation
- Machine Automation
- Remote Maintenance
- Remote Diagnosis
- Testing Equipment

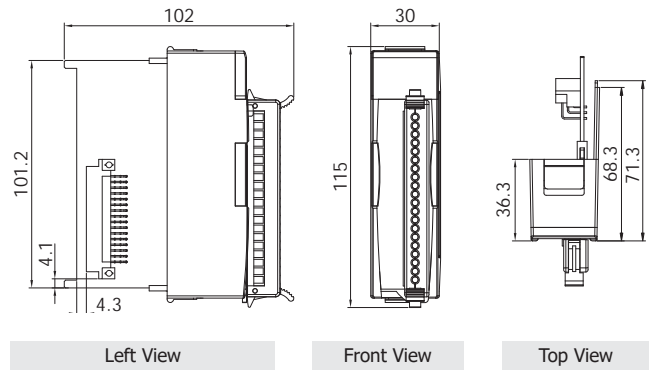
### I/O Specifications

DC Solid State Relay Output		
Channels	8	
Type	DC SSR (Form A)	
Form A	Operating Voltage Range	+3 ~ +30 VDC
	Max. Load Current	1 A
	Leakage Current	0.1 mA
	Min. Operate Time	1 ms
	Min. Release Time	1 ms
	Dielectric Strength	3500 VDC
Electrical Endurance	Long Life, No Arcing, No Bounce, No Switching Noise	
Power-on Value	Yes	
Safe Value	Yes	

## Internal I/O Structure



## Dimensions (Units: mm)



## Wire Connections

Output Type	ON State Readback as 1	OFF State Readback as 0
DC-SSR Output		

## Pin Assignments

Terminal No.	Pin Assignment
01	SSR0+
02	SSR0-
03	SSR1+
04	SSR1-
05	-
06	SSR2+
07	SSR2-
08	SSR3+
09	SSR3-
10	-
11	SSR4+
12	SSR4-
13	SSR5+
14	SSR5-
15	-
16	SSR6+
17	SSR6-
18	SSR7+
19	SSR7-
20	-

## Ordering Information

<b>I-87066W-G CR</b>	8-channel DC SSR Output Module using the DCON Protocol (Gray Cover) (RoHS)
----------------------	--