

SG-770 Hardware User Guide *Ver 1.0*

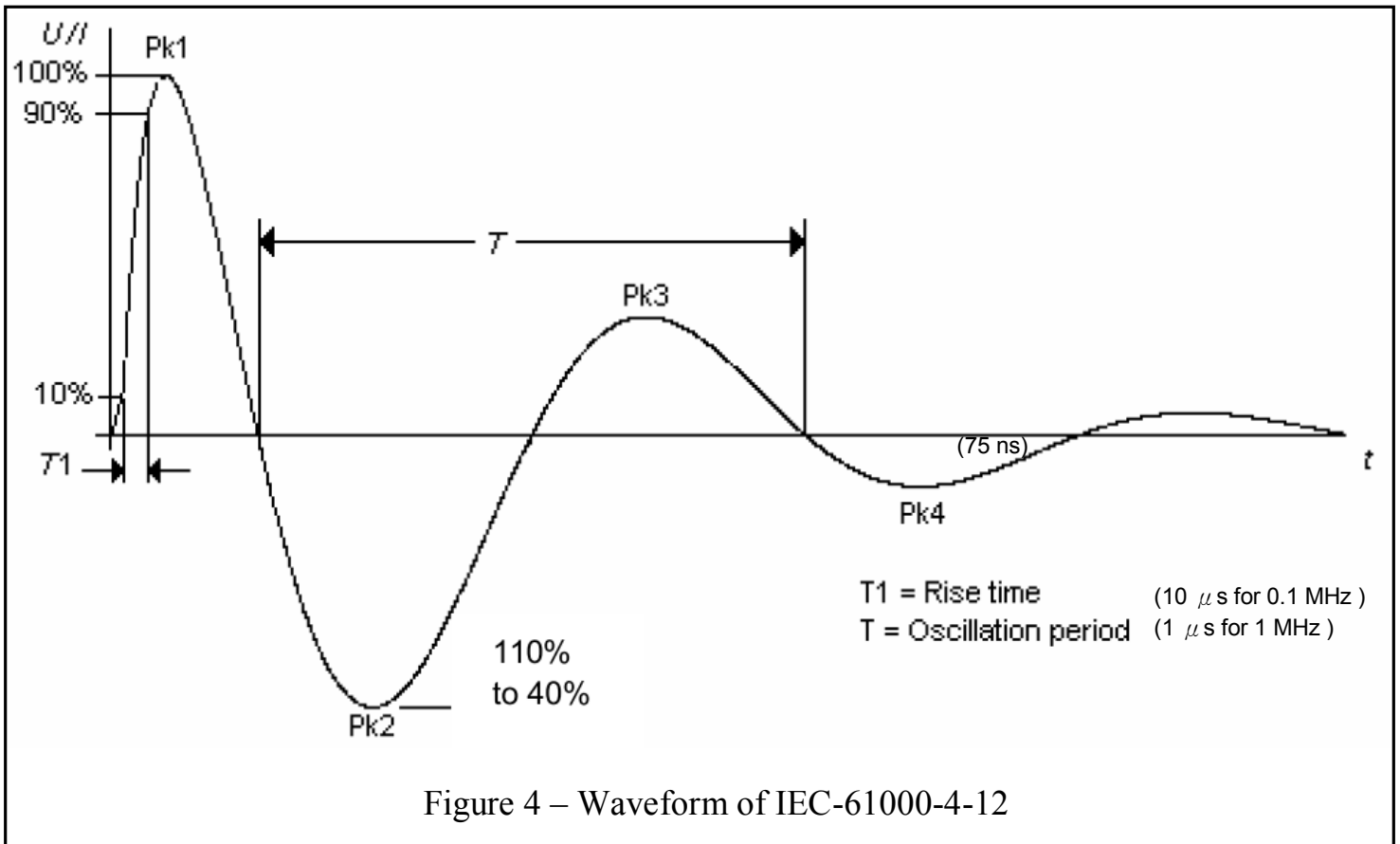
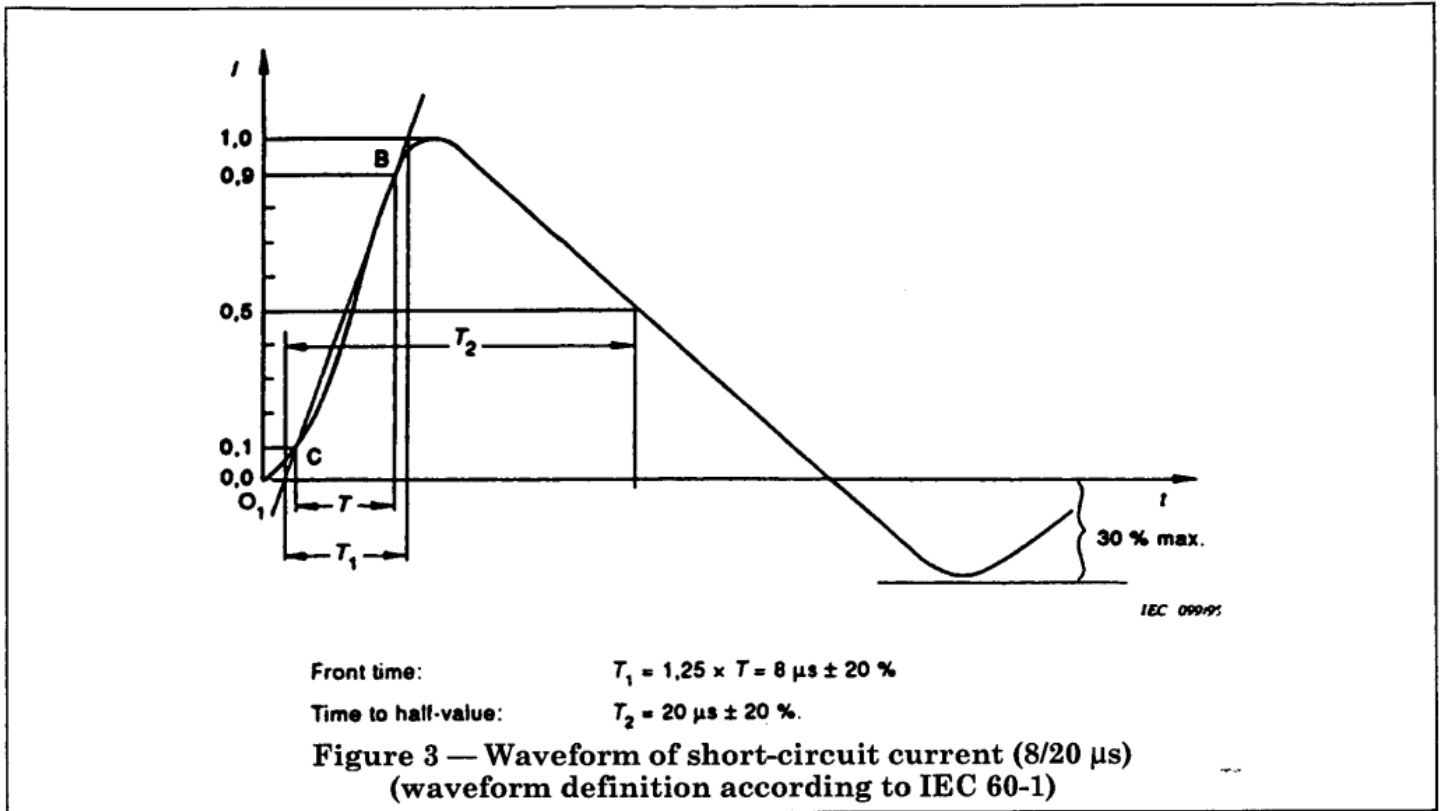
Last Modified 18/03/2009

SG-770 Specifications

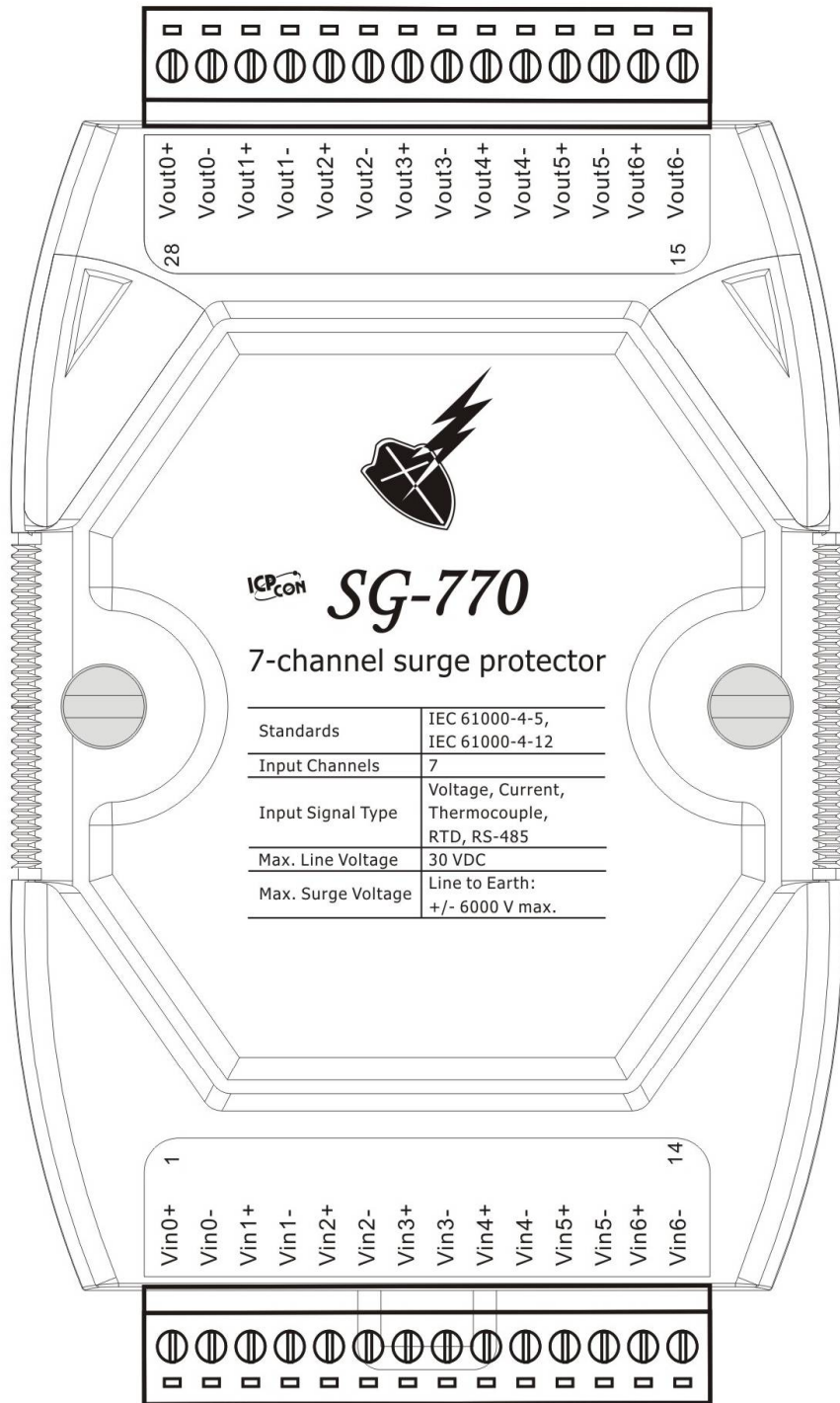
Specifications

| General | |
|------------------------|---|
| Standards | IEC 61000-4-5, IEC 61000-4-12 |
| Input Channels | 7 |
| Input Signal Type | Voltage, Current, Thermocouple, RTD, RS-485 |
| Max. Line Voltage | 30 VDC |
| Protection Performance | |
| Surge Waveform | IEC 61000-4-5 <i>ref. Figure 3</i> IEC 61000-4-12 <i>ref. Figure 4</i> |
| Max. Surge Voltage | Line to Earth: +/- 6000 V max. |
| Environment | |
| Operating temperature | -25 °C ~ 75 °C |
| Storage temperature | -30 °C ~ 75 °C |
| Humidity | 5 to 95% RH, non-condensing |

Surge Waveform Type



SG-770 Pin Assignment



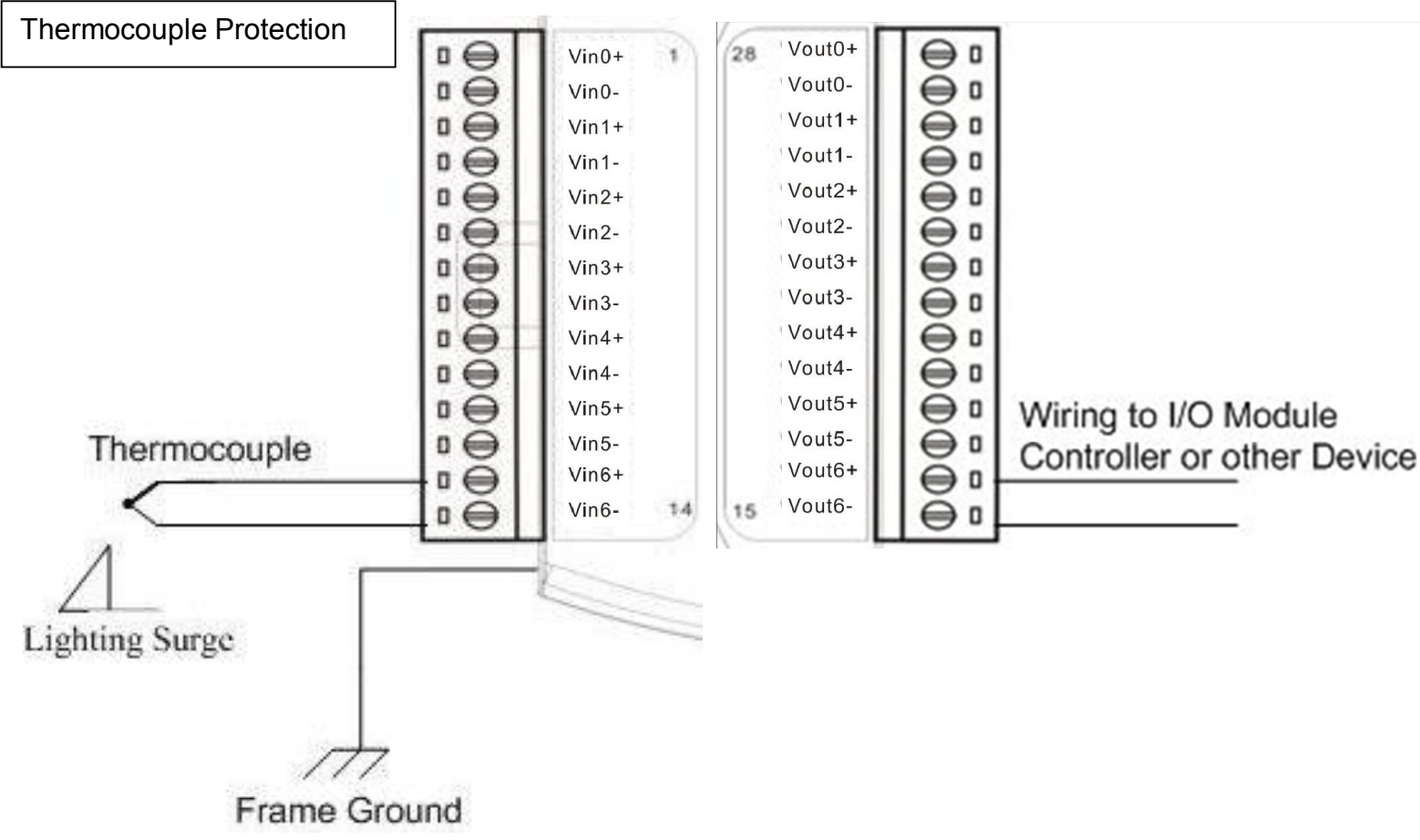
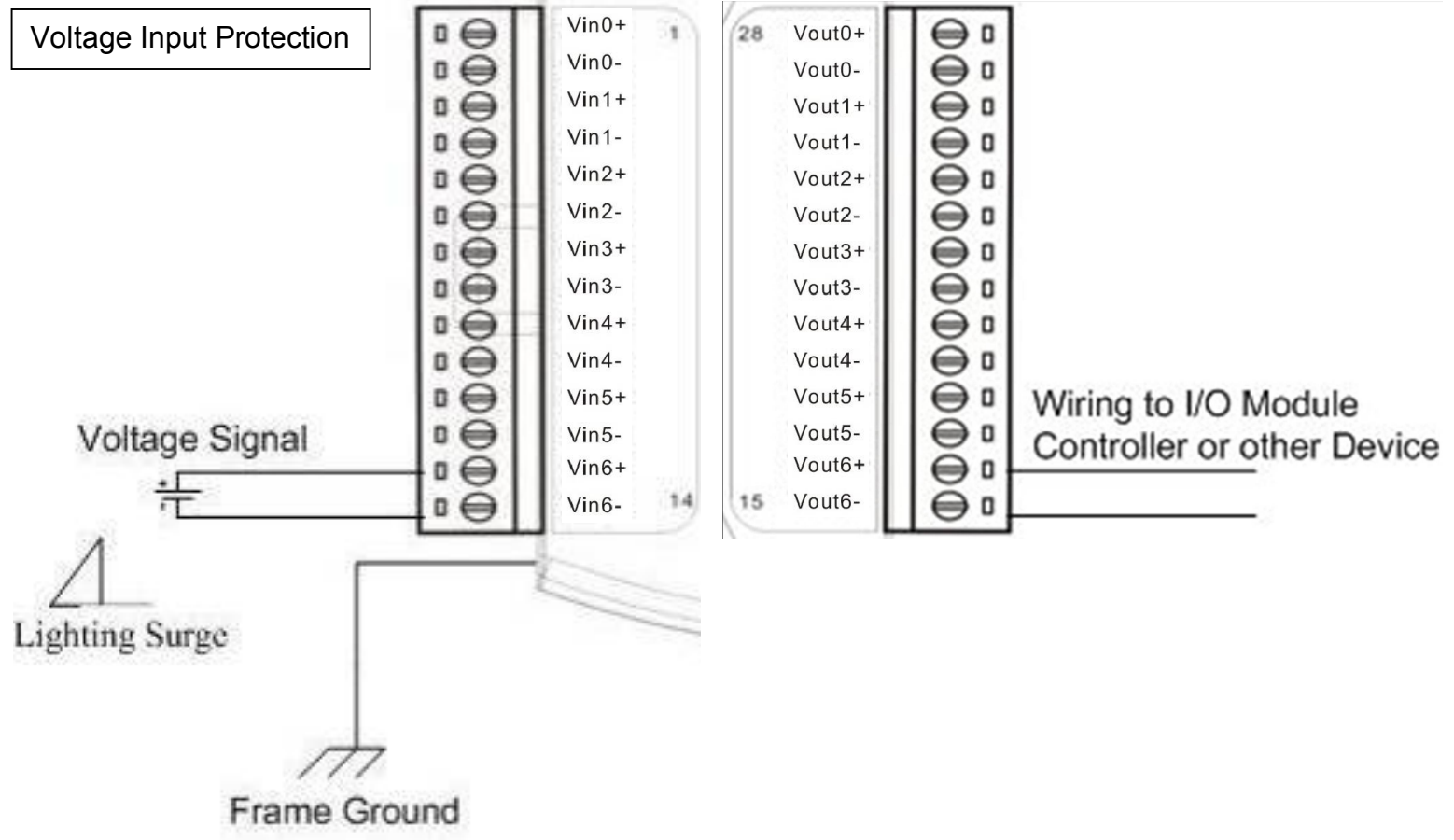
| | |
|-------|----|
| Vin0+ | 1 |
| Vin0- | |
| Vin1+ | |
| Vin1- | |
| Vin2+ | |
| Vin2- | |
| Vin3+ | |
| Vin3- | |
| Vin4+ | |
| Vin4- | |
| Vin5+ | |
| Vin5- | |
| Vin6+ | |
| Vin6- | 14 |

| | |
|----|--------|
| 28 | Vout0+ |
| | Vout0- |
| | Vout1+ |
| | Vout1- |
| | Vout2+ |
| | Vout2- |
| | Vout3+ |
| | Vout3- |
| | Vout4+ |
| | Vout4- |
| | Vout5+ |
| | Vout5- |
| | Vout6+ |
| 15 | Vout6- |

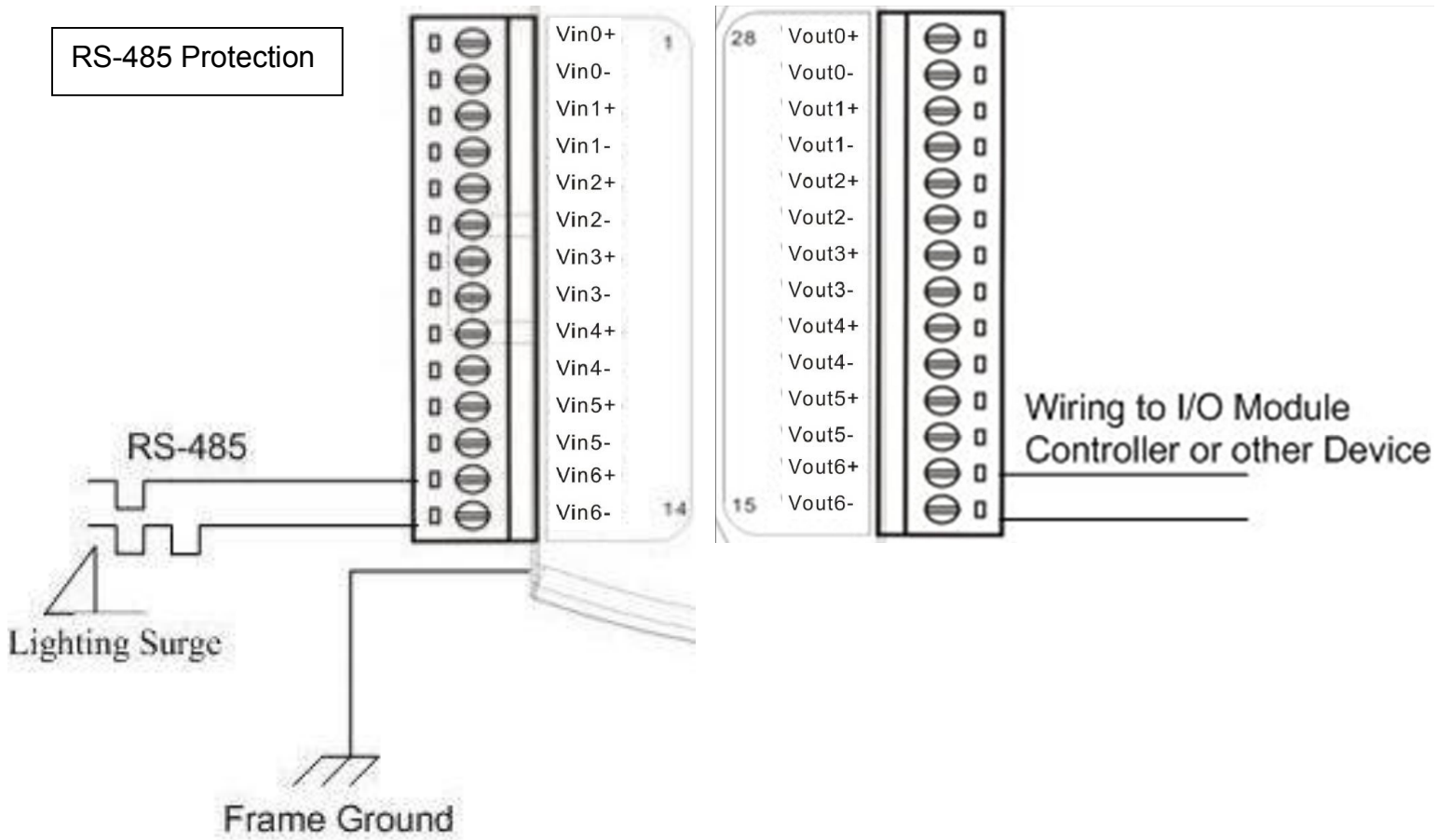
ICP CON SG-770 7-channel surge protector

| | |
|--------------------|---|
| Standards | IEC 61000-4-5, IEC 61000-4-12 |
| Input Channels | 7 |
| Input Signal Type | Voltage, Current, Thermocouple, RTD, RS-485 |
| Max. Line Voltage | 30 VDC |
| Max. Surge Voltage | Line to Earth: +/- 6000 V max. |

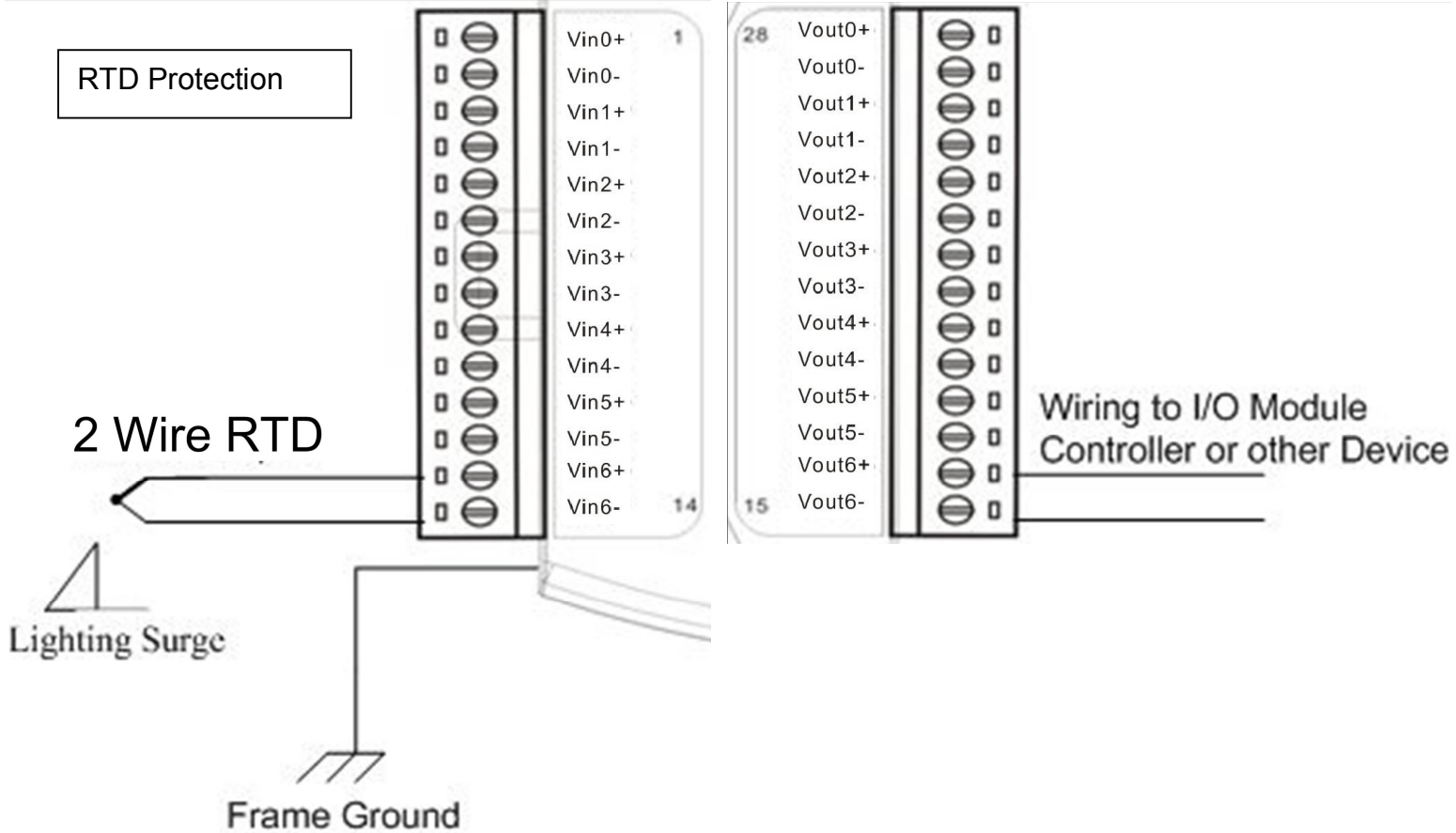
SG-770 Wire Connection Type



RS-485 Protection



RTD Protection



Current Input Protection

