



## I-9053PV

### 16-channel Isolated Digital Input Module

#### Features

- 16-channel Digital Input
- Channel Status LED Indicators
- Long Distance Measurement
- 3750 VDC Intra-module Isolation
- Wide Operating Temperature Range: -25 ~ +75 °C



#### Introduction

The I-9053PV offers 16 channels for digital input, catering for wet contact, All channels feature photocouple isolation.

The I-9053PV provides 16 LED indicators that can be used to monitor the DI channel status. 4 kV ESD protection and 3750 VDC intra-module isolation are also provided to enhance noise immunity capabilities in industrial environments.

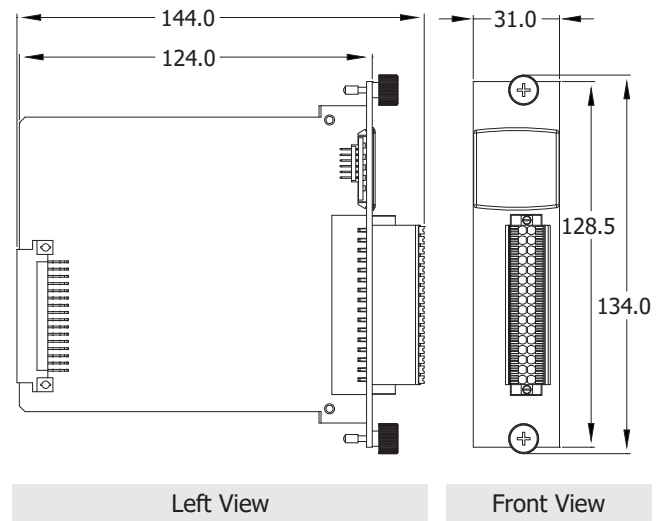
#### Specifications

| LED Display                            |   |
|--|---|
| System LED Indicator                   | 1 LED as Power Indicator  |
| I/O LED Indicator                      | 16 LEDs as Digital Input Indicators   |
| Isolation                              |   |
| Intra-module Isolation, Field-to-Logic | 3750 VDC  |
| EMS Protection                         |   |
| ESD (IEC 61000-4-2)                    | ±4 kV Contact for each Terminal; ±8 kV Air for Random Point   |
| Digital Input                          |   |
| Channels                               | 16  |
| Sink/Source (NPN/PNP)                  | Sink/Source   |
| Input Type                             | Wet   |
| Wet Contact                            | On Voltage Level: +165 VDC ~ +275 VDC; Off Voltage Level: +33 VDC Max.                                    |
| Input Impedance                        | 150 KΩ, 2W  |
| Low Pass Filter                        | 1 ms/5 ms/10 ms/20 ms/40 ms/70 ms (by Jumper select) or CPU parameter setting; Default Setting is Disable |
| Power                                  |   |
| Power Consumption                      | 1 W Max.  |
| Mechanical                             |   |
| Dimensions (W x L x H)                 | 31 mm x 134 mm x 144 mm   |
| Environment                            |   |
| Operating Temperature                  | -25 ~ +75 °C  |
| Storage Temperature                    | -40 ~ +85 °C  |
| Humidity                               | 10 ~ 90% RH, Non-condensing   |

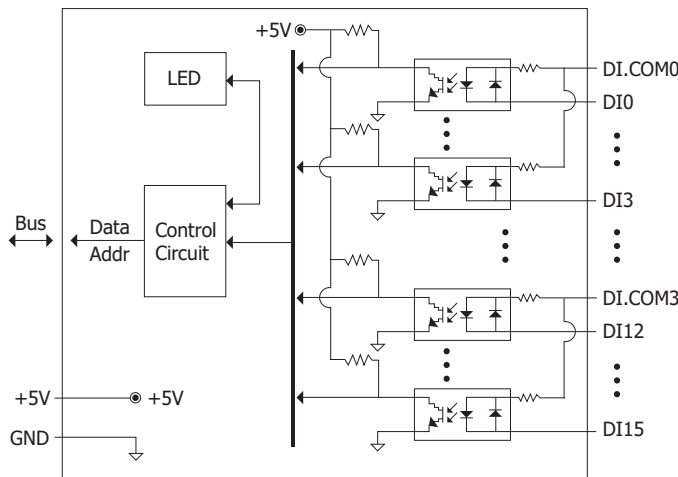
## Pin Assignments

| Pin Assignment | Terminal No. | Pin Assignment |
|----------------|--------------|----------------|
| DI0            | 01           | 17 DI.COM0     |
| DI1            | 02           | 18 -           |
| DI2            | 03           | 19 DI.COM0     |
| DI3            | 04           | 20 -           |
| DI4            | 05           | 21 DI.COM1     |
| DI5            | 06           | 22 -           |
| DI6            | 07           | 23 DI.COM1     |
| DI7            | 08           | 24 -           |
| DI8            | 09           | 25 DI.COM2     |
| DI9            | 10           | 26 -           |
| DI10           | 11           | 27 DI.COM2     |
| DI11           | 12           | 28 -           |
| DI12           | 13           | 29 DI.COM3     |
| DI13           | 14           | 30 -           |
| DI14           | 15           | 31 DI.COM3     |
| DI15           | 16           | 32 -           |

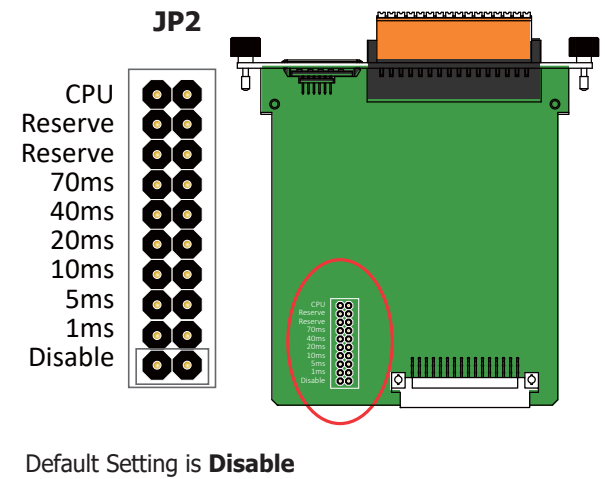
## Dimensions (Units: mm)



## Internal I/O Structure



## Jumpers for Low Pass Filter Selection



## Wire Connections

| Input Type           | ON State LED ON<br>Readback as 1 | ON State LED OFF<br>Readback as 0 |
|----------------------|----------------------------------|-----------------------------------|
| Wet Contact (Sink)   |                                  |                                   |
| Wet Contact (Source) |                                  |                                   |

## Ordering Information

|                           |   |
|---------------------------|---|
| <b>I-9053PV-220VDC CR</b> | 16-channel Isolated Digital Input Module (RoHS) |
|---------------------------|---|