



iWSN-930R-LK-AC-IP33

iWSN 3-channel Liquid Leak Detection Module (Asia Only)

Features

- Supports 3-channel Liquid Leak Detection
- Detection sensitivity adjustable
- Three LED indicators to display the status of the power, wireless communication and the alarm
- Relay Output and Buzzer Alarm for Liquid Leakage Alarm
- A mute junction to silence the Buzzer Alarm
- Liquid Leak Detection Cable and Extended Cable can be up to 500 meters
- Uses 433 MHz radio frequency for communication
- 16 RF Channels and 4 Group ID, consist of maximum 64 RF sub-networks
- Support AC power supply without external power transformer



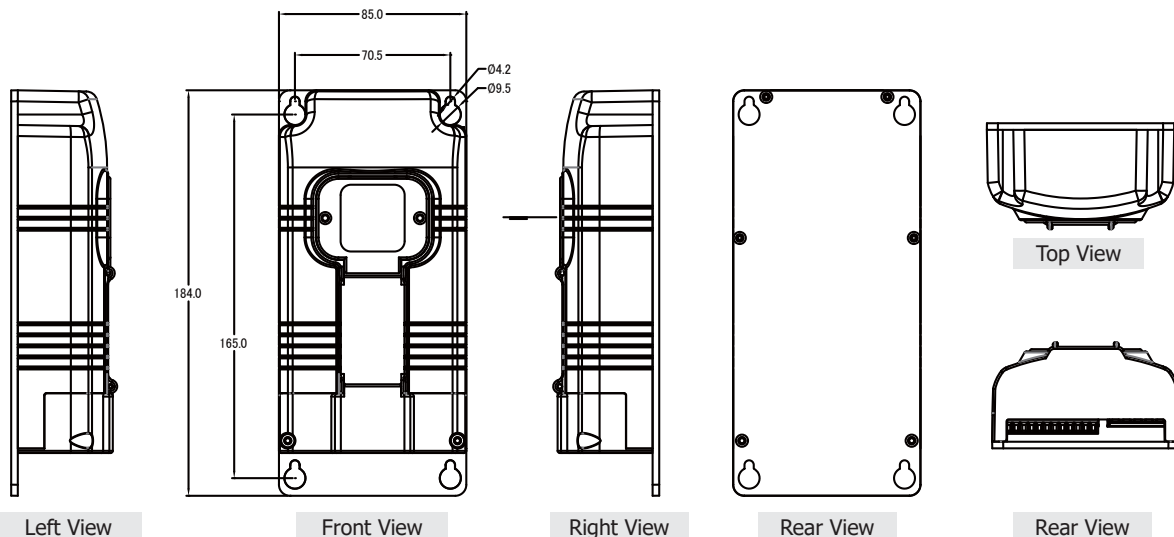
Introduction

The iWSN-930R-LK-AC-IP33 module is a wireless liquid leakage detection module that supports AC power supply. It provides 3-channel liquid leakage detection and Buzzer Alarm, and periodically report the detection status to the iWSN-200 series module through the Sub-1GHz RF communication interface, and the user can read back the detection status from the iWSN-200 series module through the Modbus protocol.

Applications



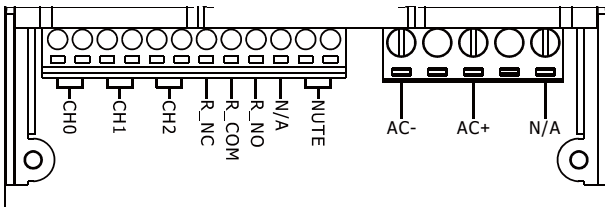
Dimensions (Units: mm)



System Specifications

EMS Protection	
EFT (IEC 61000-4-4)	± 500 V ± 1 kV for power liner
ESD (IEC 61000-4-2)	± 4 kV Contact
Surge (IEC 61000-4-5)	± 1 kV
LED Indicators	
Status	1 x Power 1 x Tx 1 x Error
System	
Alarm	For both liquid leak detection and cable-break detection.
Buzzer	Yes. Can be muted by shorting circuit mute junction.
Relay Output	Signal Relay, Form C x 1, SPDT 0.5 A @ 125 VAC 2 A @ 30 VDC
Liquid Leak Detection	
Channels	3
Liquid Type	Water, 2 uS/cm
Sensor Type	Probe for point detection or Cable for line detection
Max. Cable Length	500 meters Include Liquid Leak Detection Cable and Extended Cables.
Sensitivity Range	25 segments (adjustable by rotary switch)
Cable-break Detection	Yes. For Liquids Leak Detection Cable CA-LLD-DC100X-Lxxx only.

Wire Connections



Name of Pin		Name
Terminal block at Left side	CH0	Liquid Leakage detection channel 0, wiring is not divided into positive and negative.
	CH1	Liquid Leakage detection channel 1, wiring is not divided into positive and negative.
	CH2	Liquid Leakage detection channel 2, wiring is not divided into positive and negative.
	R_NC	Relay output, NC contact.
	R_COM	Relay output, COM contact.
	R_NO	Relay output, NO contact.
	MUTE	Mute contacts. It can mute the buzzer after a short circuit.
Terminal block at Right side	AC-	AC power input, neutral wire contact.
	AC+	AC power input, live wire contact.

Antenna	
Type	Built-in Omni-directional antenna
RF	
Channels	0 ~ 15 configured by DIP switch
Group ID	0 ~ 3 configured by DIP switch
Radio Frequency	433.1000 ~ 434.6000 MHz
Transmission Distance (LoS)	100 m
Node ID	1 ~ 31 configured by DIP switch
Working Duty	1 sec, 10 sec, 30 sec and 60 sec configured by DIP switch
Power	
Consumption	110 VAC @ 60 Hz , 28 mA , 3.08 W
Input Type	100 ~ 240 VAC 50/60 Hz
Mechanical	
Dimensions (mm)	85 x 184 x 47 (W x L x H)
Installation	Wall-mount
Ingress Protection Rating	IP33
Environment	
Operating Temperature	-30 °C ~ +50 °C
Storage Temperature	-40 °C ~ +55 °C
Humidity	10 ~ 90% RH, Non-condensing

Wire Connections



Ordering Information

iWSN-930R-LK-AC-IP33 CR	iWSN 3-channel Liquid Leak Detection Module (RoHS) (Asia Only)
--------------------------------	--

Accessories

CA-LLD-DC100-L010 CR	Liquids Leak Detection, Water Detection Cable w/o Position, 1M (RoHS)
CA-LLD-DC100-L030 CR	Liquids Leak Detection, Water Detection Cable w/o Position, 3M (RoHS)
CA-LLD-DC100-L100 CR	Liquids Leak Detection, Water Detection Cable w/o Position, 10M (RoHS)
CA-LLD-DC100-L300 CR	Liquids Leak Detection, Water Detection Cable w/o Position, 30M (RoHS)
CA-LLD-DC100-L500 CR	Liquids Leak Detection, Water Detection Cable w/o Position, 50M (RoHS)
CA-LLD-DC100X-L010 CR	Liquids Leak Detection Cable, with cable-break detection and can be connected in series, 1M (RoHS)
CA-LLD-DC100X-L030 CR	Liquids Leak Detection Cable, with cable-break detection and can be connected in series, 3M (RoHS)
CA-LLD-DC100X-L100 CR	Liquids Leak Detection Cable, with cable-break detection and can be connected in series, 10M (RoHS)
CA-LLD-DC100X-L300 CR	Liquids Leak Detection Cable, with cable-break detection and can be connected in series, 30M (RoHS)
CA-LLD-DC100X-L500 CR	Liquids Leak Detection Cable, with cable-break detection and can be connected in series, 50M (RoHS)
CA-LLD-DC100X-TR CR	Terminal Resistor, 2M Ω (RoHS)
CA-LLD-EC-L030 CR	Leader Cable, 3M (RoHS)
CA-LLD-DP100 CR	Leakage Probe (RoHS)
ASO-0051 CR	180° Hold-Down Clip (include 50 pcs) (RoHS)
ASO-0052 CR	90° Hold-Down Clip (include 50 pcs) (RoHS)

Related Products

iWSN-200U CR	iWSN data concentrator with RS-232/RS-485 serial port (RoHS)
iWSN-200R CR	iWSN Data Concentrator with 1-port RS-485 and 1-Channel Relay Output (RoHS) (Asia Only)
iWSN-200E CR	iWSN data concentrator with PoE Ethernet port (RoHS) (Asia Only)