

P8R8DIO / P16R16DIO

User's Manual

Warranty

All products manufactured by ICP DAS are warranted against defective materials for a period of one year from the date of delivery to the original purchaser.

Warning

ICP DAS assume no liability for damages consequent to the use of this product. ICP DAS reserves the right to change this manual at any time without notice. The information furnished by ICP DAS is believed to be accurate and reliable. However, no responsibility is assumed by ICP DAS for its use, nor for any infringements of patents or other rights of third parties resulting from its use.

Copyright

Copyright 1997 by ICP DAS. All rights are reserved.

Trademark

The names used for identification only maybe registered trademarks of their respective companies.

License

The user can use, modify and backup this software **on a single machine.**

The user may not reproduce, transfer or distribute this software, or any copy, in whole or in part.

Contents :

1. INTRODUCTION	P8R8DIO	3
1.1. FEATURES AND APPLICATIONS		3
1.1.1. FEATURES		3
1.1.2. APPLICATIONS		3
1.2. SPECIFICATIONS		4
2. INSTALLATION		5
2.1. UNPACKING		5
2.2. LAYOUT		6
2.3. ADDRESS & JUMPER SETTING		6
2.3.1. ADDRESS SETTING		6
2.3.2. JUMPER SETTING		8
2.4. PIN ASSIGNMENTS		9
3.PROGRAMMING		10
3.1. ADDRESS MAP		10
3.2. RELAY OUTPUT		11
3.2.1. OUTPUT REGISTER		11
3.2.2. USING RELAY OUTPUT		12
3.3. ISOLATED INPUT		13
3.3.1. INPUT REGISTER		13
3.3.2. USING ISOLATED INPUT		14
4.SPECIFICATIONS	P16R16DIO	15
5. INSTALLATION		16
5.1. UNPACKING		16
5.2. LAYOUT		17
5.3. ADDRESS & JUMPER SETTING		17
5.3.1. ADDRESS SETTING		17
5.3.2. JUMPER SETTING		19

5.3.3. PIN-ASSIGNMENTS	21
6. PROGRAMMING	24
6.1. ADDRESS MAP	24
6.2. RELAY OUTPUT	25
6.2.1. OUTPUT REGISTER	25
6.3. RELAY OUTPUT	27
6.3.1. OUTPUT REGISTER	27
6.3.2. USING RELAY OUTPUT	28
6.4. ISOLATED INPUT	29
6.4.1. INPUT REGISTER	29
6.4.2. USING ISOLATED INPUT	30
7. TROUBLESHOOTING	31
7.1. PROBLEM ISOLATION	31

1. Introduction

The P8R8DIO / P16R16DIO is a isolated input / output interface board for control and sensing operations.

The P8R8DIO / P16R16DIO installs in any IBM PC XT/AT or compatible computer.

1.1. Features and Applications

1.1.1. Features

P8R8DIO / P16R16DIO

- 8/16 Electromechanical Relay Outputs
- 8/16 Optically Isolated Inputs
- For IBM PC XT/AT
- AC/DC Signals Input
- AC Signal Input With Filter

1.1.2. Applications

- Factory Automation
- Laboratory Automation
- Annunciation
- Security Control
- Product Test
- Energy Management

P8R8DIO

1.2. Specifications

INPUT	Channels	8
	Photo-coupler	PC-814
	Input-Current	60mA Max.
	Input-Voltage	AC/DC 5 - 24 V (AC 50 - 1K HZ)
	Input Impedance	1.2 K Ω
	Withstanding Voltage	1KV
	Response Time	Without Filter 20 μ S With Filter 2.2mS
OUTPUT	Relay Output Channels	8
	Relay Type	4 SPDT / 4 SPST
	Contact Rating	120 V AC/DC 0.3 A 30 V DC 1 A
	Breakdown Voltage	1KV
	Operate Time	5 m Sec
	Release Time	5 m Sec
	Insulation Resistance	100 M Ω
	Expected life Electrical at 30V /1A	> 100,000 Times
	Relay Input Current	16mA
etc.	Dimensions	173 mm X 115 mm
	Temperature	0 ~ 50
	Power Consumption	+5V 160mA MAX. +12V 150mA MAX.

2. Installation

This chapter describes how to install the P8R8DIO . the unpacking information that you should be careful is described. the jumpers and switches setting for the P8R8DIO configuration.

2.1. Unpacking

CAUTION :

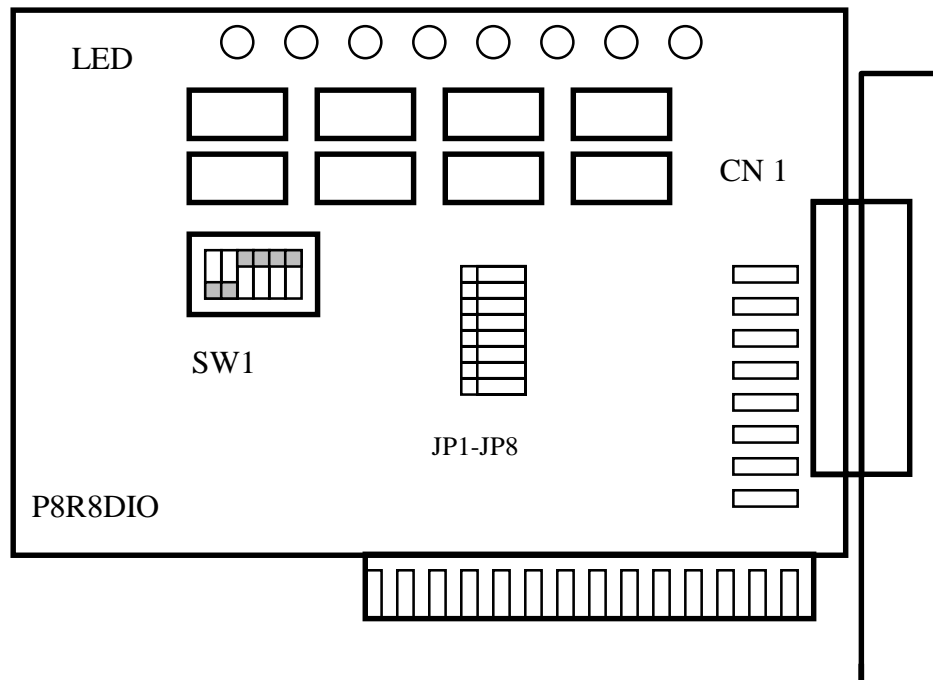
Your P8R8 D/I/O Card contains sensitive electronic components can be easily damaged by static electricity.

1. The P8R8DIO should be done on a grounded anti-static mat.
2. The user should wear an anti-static wristband, grounded at the same point as the anti-static mat.
3. Inspect the carton for obvious damage. shipping & handing may cause damage to the board . Be sure there are no shipping and handling damages on the board before using.
4. After opening the carton, exact the system board and place it on a grounded anti-static surface & component side up.

CAUTION : Do not Apply Power to the Board if it has been damaged.

You are now ready to install your P8R8DIO .

2.2. Layout



P8R8DIO layout

2.3. Address & Jumper Setting

You can change the P8R8DIO configuration by setting jumper & switches on the board. The board's jumpers are set at the factory. Under normal circumstances, you should not need to change the jumper settings.

2.3.1. Address Setting

The P8R8DIO requires two consecutive I/O addresses, one for output & read back and the other for input. You can set the base address on any 4-byte boundary using the DIP switch(SW1). If you install one more P8R8DIO boards, you must set a different base address for each board.

The base address switch is preset at 300H (see Figure 2-1).

S 1 : Default Address 300 Hex

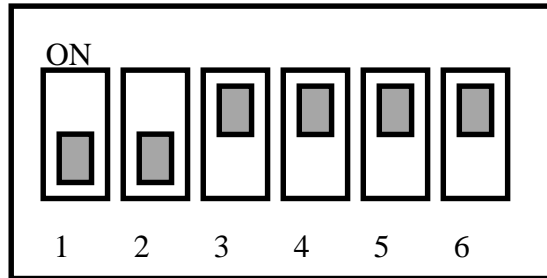


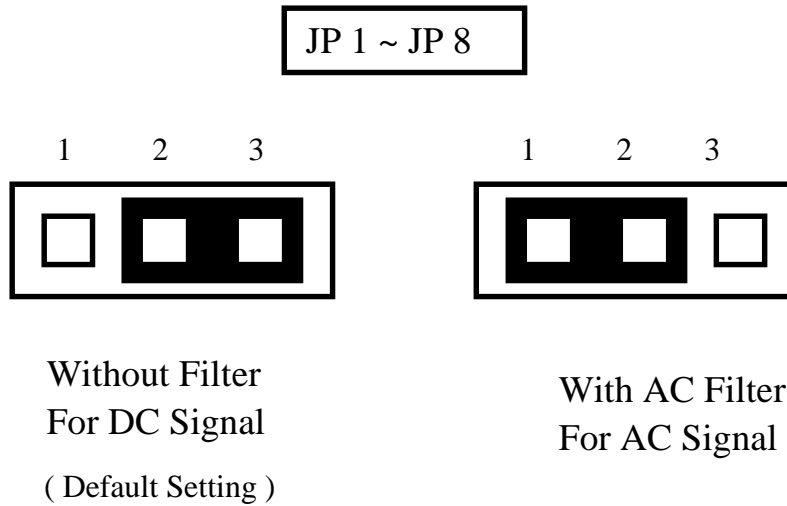
Figure 2-1

S1 Dip Switch	1	2	3	4	5	6
Address (Hex)	A9	A8	A7	A6	A5	A4
200	OFF	ON	ON	ON	ON	ON
210	OFF	ON	ON	ON	ON	OFF
220	OFF	ON	ON	ON	OFF	ON
:	:	:	:	:	:	:
2A0	OFF	ON	OFF	ON	OFF	ON
:	:	:	:	:	:	:
2F0	OFF	ON	OFF	OFF	OFF	OFF
(*)300	OFF	OFF	ON	ON	ON	ON
310	OFF	OFF	ON	ON	ON	OFF
320	OFF	OFF	ON	ON	OFF	ON
330	OFF	OFF	ON	ON	OFF	OFF
340	OFF	OFF	ON	OFF	ON	ON
350	OFF	OFF	ON	OFF	ON	OFF
360	OFF	OFF	ON	OFF	OFF	ON
:	:	:	:	:	:	:
3F0	OFF	OFF	OFF	OFF	OFF	ON

(*) Default Setting Table 2-1

2.3.2. Jumper Setting

Each digital input channel can be jumper selected, single-pole ,RC filter with a time constant of 1.2 ms. Refer to Figure 2-2 to see which response jumper . correspond to which digital input channel.



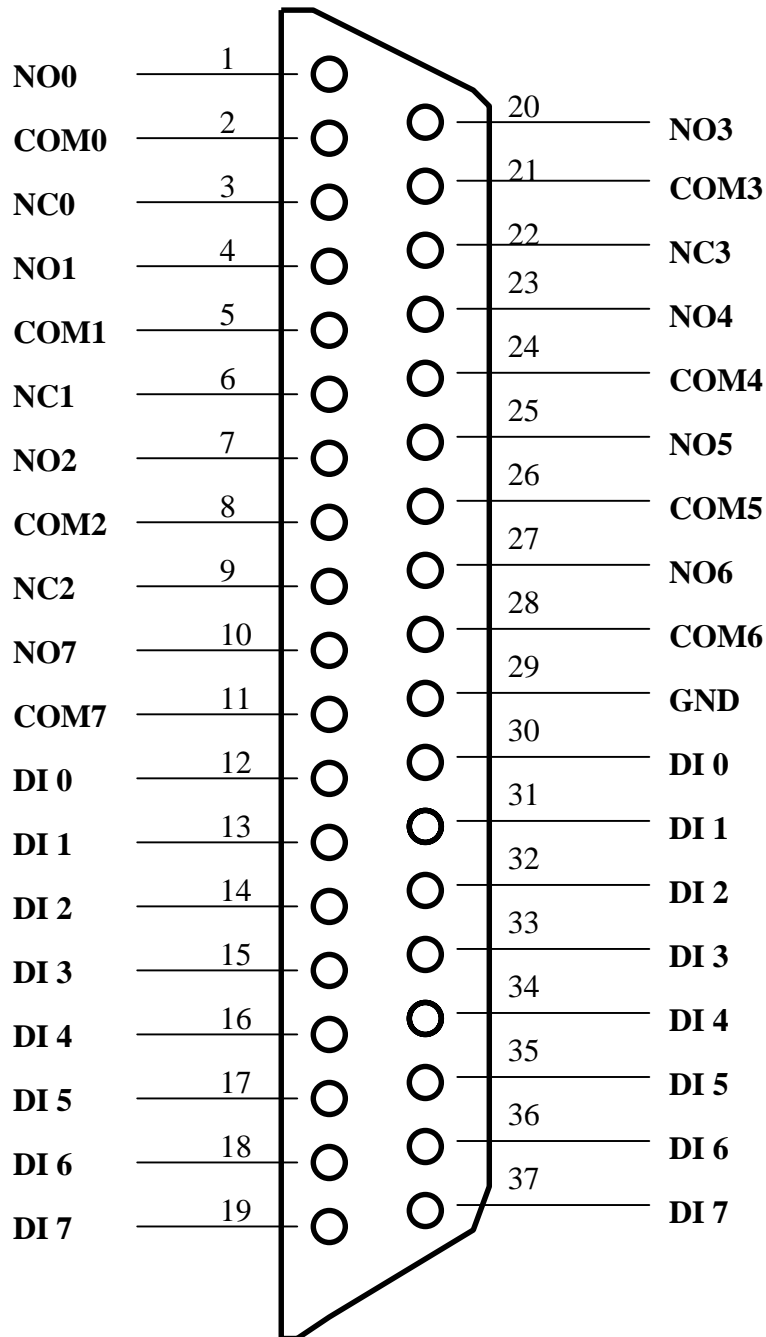
Jumper	Input Channels
JP1	DI 0
JP2	DI 1
JP3	DI 2
JP4	DI 3
JP5	DI 4
JP6	DI 5
JP7	DI 6
JP8	DI 7

Table 2-2

If you are using AC input signals , you must short the AC FILTER jumper 1-2 .
 If you are using DC input signals , the AC FILTER is optional. If the DC input signals response less than 20 us, set the filter off. If you want a slow response (about 5 to 10 ms)for rejecting noise or contact bouncing , short the AC FILTER jumper 1-2.7

2.4. Pin Assignments

.Figure 2-3 are CN 1 pin assignments of the P8R8DIO connector.



NO n : normally open

COM n : common

NC n : normally close

DI n : Digital input channel n

3. Programming

This chapter provides the I/O map of P8R8DIO registers. Example programs and programming information are also included.

3.1. Address Map

The P8R8DIO boards occupy two consecutive addresses in the computer's I/O space. The base address is selected by DIP switch, The I/O map are shown in Table 3-1.

Base Address at 300 Hex

Address	Write	Read
Base + 0	Relay Output (CH 0 ~ CH 7)	Read Back The Output Status
Base + 1	NO FUNCTION	DIGITAL INPUT (CH0~CH7)

Table 3-1 I/O Map

3.2. Relay Output

You write data to relays (CH0 - CH 7) as a single Byte. Each of the eight bits within a byte controls a single relay. A high bit(equal to1) energizes (closes the contacts of)a relay while a low bit (equal to 0) turns the relay off.

3.2.1. Output Register

Relay Output register bits are assigned as shown in Table 3-2

Base Address at 300 Hex

Base+0	D7	D6	D5	D4	D3	D2	D1	D0
Output Channel	7	6	5	4	3	2	1	0

Table 3-2 Relay Addresses in the Relay Output Register

For Example (Basic Language)

REM : Set all relay output is ON , (Output data FFh)

Base=&h300 ‘ Set Base Address at 300 (Hex)
Out Base , &hFF ‘ Set Relay Output (Ch 0 ~ Ch 7) On
RB= Inp(Base) ‘ Read Back Relay Output Ch 0 ~ Ch 7

REM : Set relay output CH 3 is ON ,Output data 8h (00001000 BIN)
Out Base,&h8 ‘ Set relay output CH 3 ON

(For C Language)

```
outportb(0x300,0xFF);        /* Set all relay output is On*/  
outportb(0x300,0x0);        /* Set all relay output is Off*/
```

3.2.2. Using Relay Output

Basic Circuitry : (Current Rating < 0.3 A) , Refer to Fig. 3-1

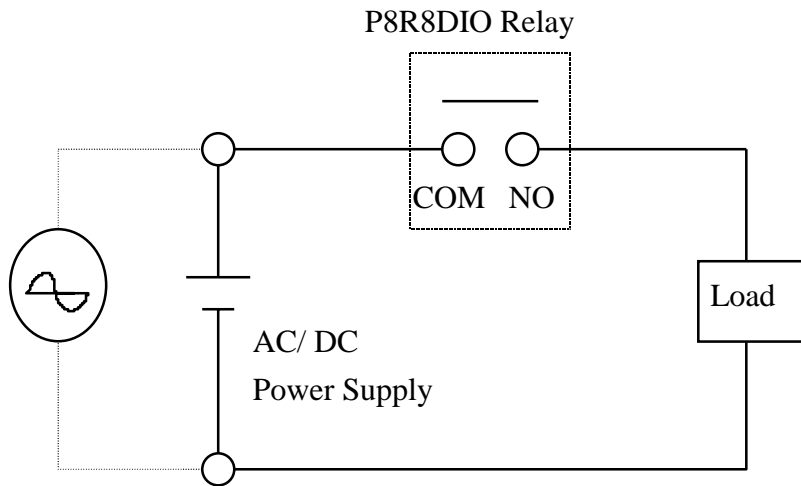


Figure 3-1

Heavy Loading Application (> 0.3 A) , Refer to Fig.3-2

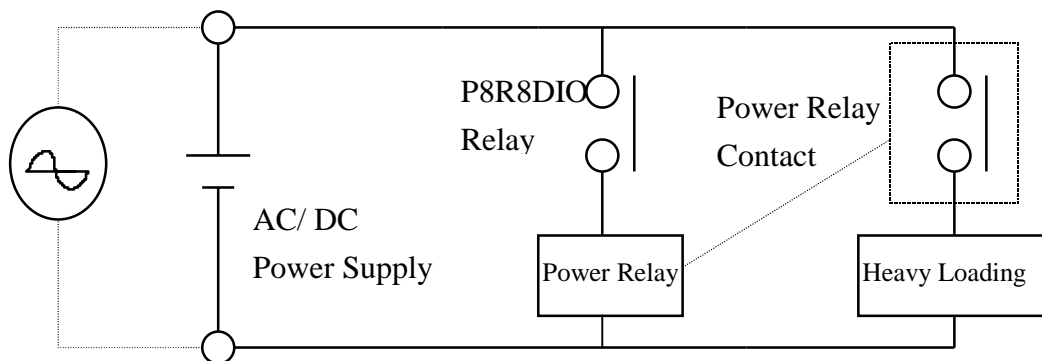


Figure 3-2

3.3. Isolated Input

The digital input state are read as a single byte from the port at base address+1 . Each of the eight bits within the byte corresponds to a particular digital input so that a high bit (equal to 1) represent a high state while a low bit (equal to 0) represent a low state . Register bits are assigned as shown in Table 3-3

3.3.1. Input Register

Base Address at 300 Hex

Base + 1	D7	D6	D5	D4	D3	D2	D1	D0
Input Channel	7	6	5	4	3	2	1	0

Table 3-3 input addresses in the isolated control input Register

For Example (Basic Language)

```
Base=&h300          ' Set Base Address at 300 (Hex)
RIH=INP(Base+1)    ' Read Isolated Input Ch 0 ~ Ch 7
```

(C Language)

```
int rih;
rih=inportb(0x301);
```

3.3.2. Using Isolated Input

Basic Circuit

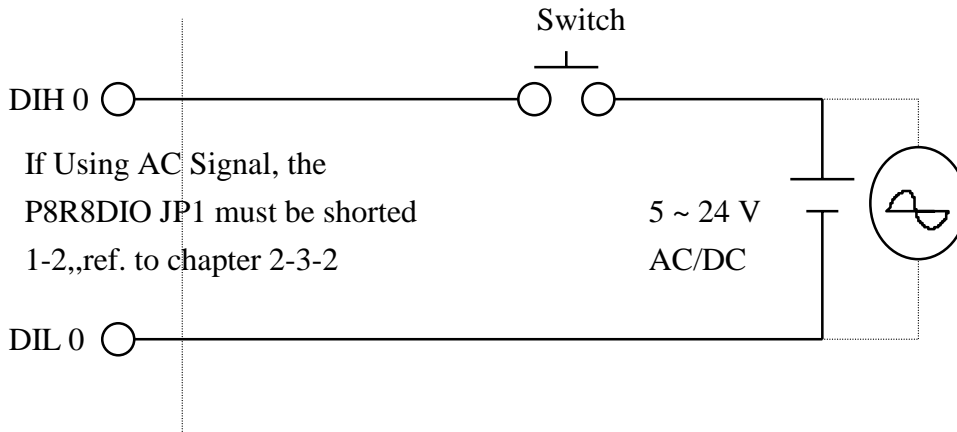
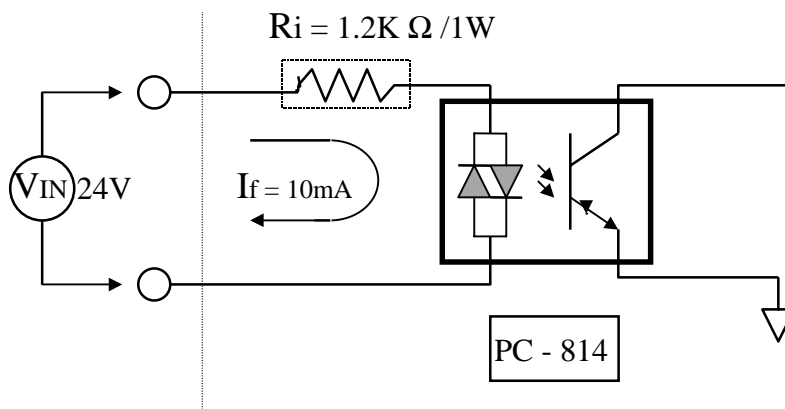


Figure 3-3

The normal input voltage range is 5 to 24V AC or DC . The normal input range can be changed by choosing suitable resistor to limit the current through the opto-isolator to about 10 mA(I_f). The default resistor is 1.2 K Ω / 1 W .



$$R_i = V_{in} / I_f$$

$$P_w = V_{in} \times I_f$$

Figure 3-4

Calculation Example :

If $V_{in} = 120 V$ Then $R_i = 120 (V) / 0.01 (A) = 12 K \Omega$

$P_w = 120 (V) \times 0.01 (A) = 1.2 W$

The R_i Must Replace By 12K Ω / 2 W (1.2W)

P16R16 DIO

4. Specifications

INPUT	Channels	16
	Photo-coupler	PC-814
	Input-Current	60 mA Max.
	Input-Voltage	AC/DC 5 - 24 V (AC 50 - 1K HZ)
	Input Impedance	1.2 K
	Withstanding Voltage	1KV
	Response Time	Without Filter 20 μ S With Filter 2.2mS
OUTPUT	Relay Output Channels	16
	Relay Type	8 SPDT 8 SPST
	Contact Rating	120 V AC/DC 0.3 A 30 V DC 1 A
	Breakdown Voltage	1KV
	Operate Time	5 m Sec
	Release Time	5 m Sec
	Insulation Resistance	100 M Ω
	Expected life Electrical at 30V /1A	> 100,000 Times
	Relay Input Current	16mA
etc.	Dimensions	173 mm X 115 mm
	Temperature	0 ~ 50
	Power Consumption	+5V 200mA MAX. +12V 260mA MAX.

5.Installation

This chapter describes how to install the P16R16DIO . the unpacking information that you should be careful is described. the jumpers and switches setting for the P16R16DIO configuration.

5.1.Unpacking

CAUTION :

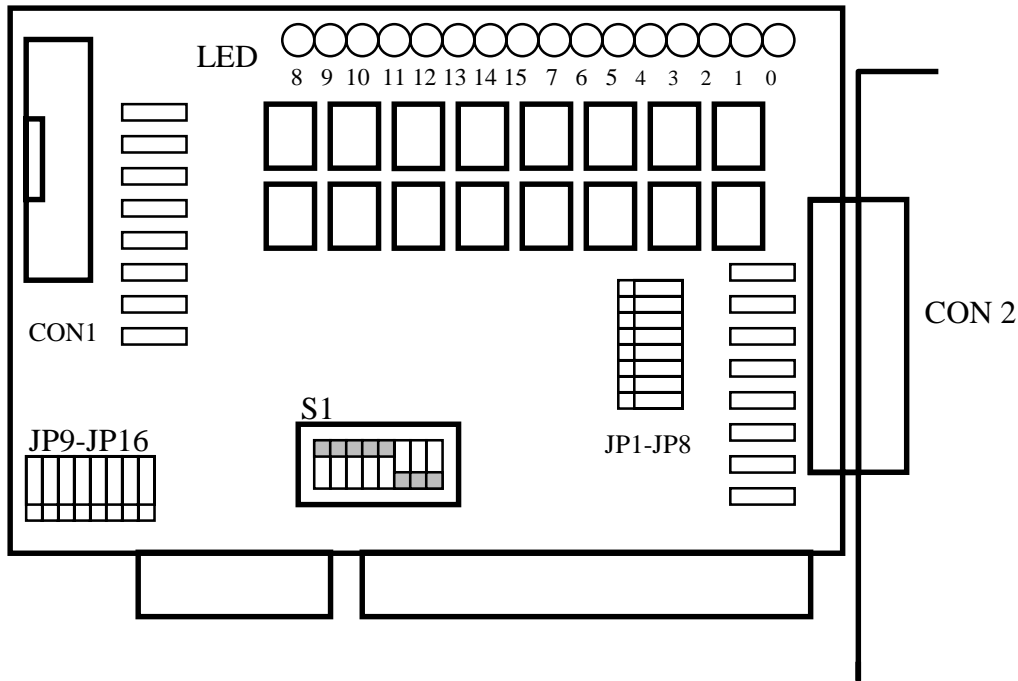
Your P16R16DIO D/I/O Card contains sensitive electronic components can be easily damaged by static electricity.

1. The P16R16DIO should be done on a grounded anti-static mat.
2. The user should wear an anti-static wristband, grounded at the same point as the anti-static mat.
3. Inspect the carton for obvious damage. shipping & handing may cause damage to the board . Be sure there are no shipping and handing damages on the board before using.
4. After opening the carton, Place the system board handle place on a grounded anti-static surface & component side up.

CAUTION : Do not Apply Power to the Board if it has been damaged.

You are now ready to install your P16R16DIO .

5.2. Layout



P16R16DIO layout

5.3. Address & Jumper Setting

You can change the P16R16DIO configuration by setting jumper & switches on the board . The board's jumpers are set at the factory . Under normal circumstances , you should not need to change the jumper settings.

5.3.1.Address Setting

The P16R16DIO requires four consecutive I/O addresses, two is for output & read back and the other's is for input. You can set the base address on any 4-byte boundary using the DIP switch(S1). If you install one more P16R16DIO boards, you must set a different base address for each board.

The base address switch is preset at 300H (see Figure 2-1).

S 1 : Default Address 300 Hex

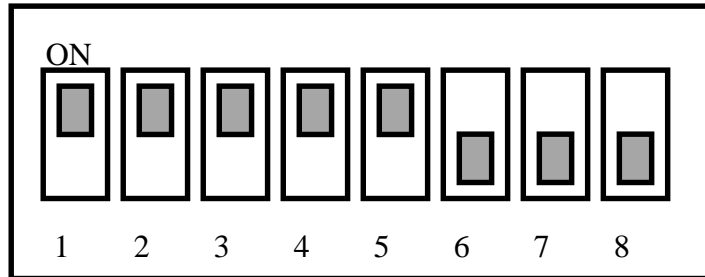


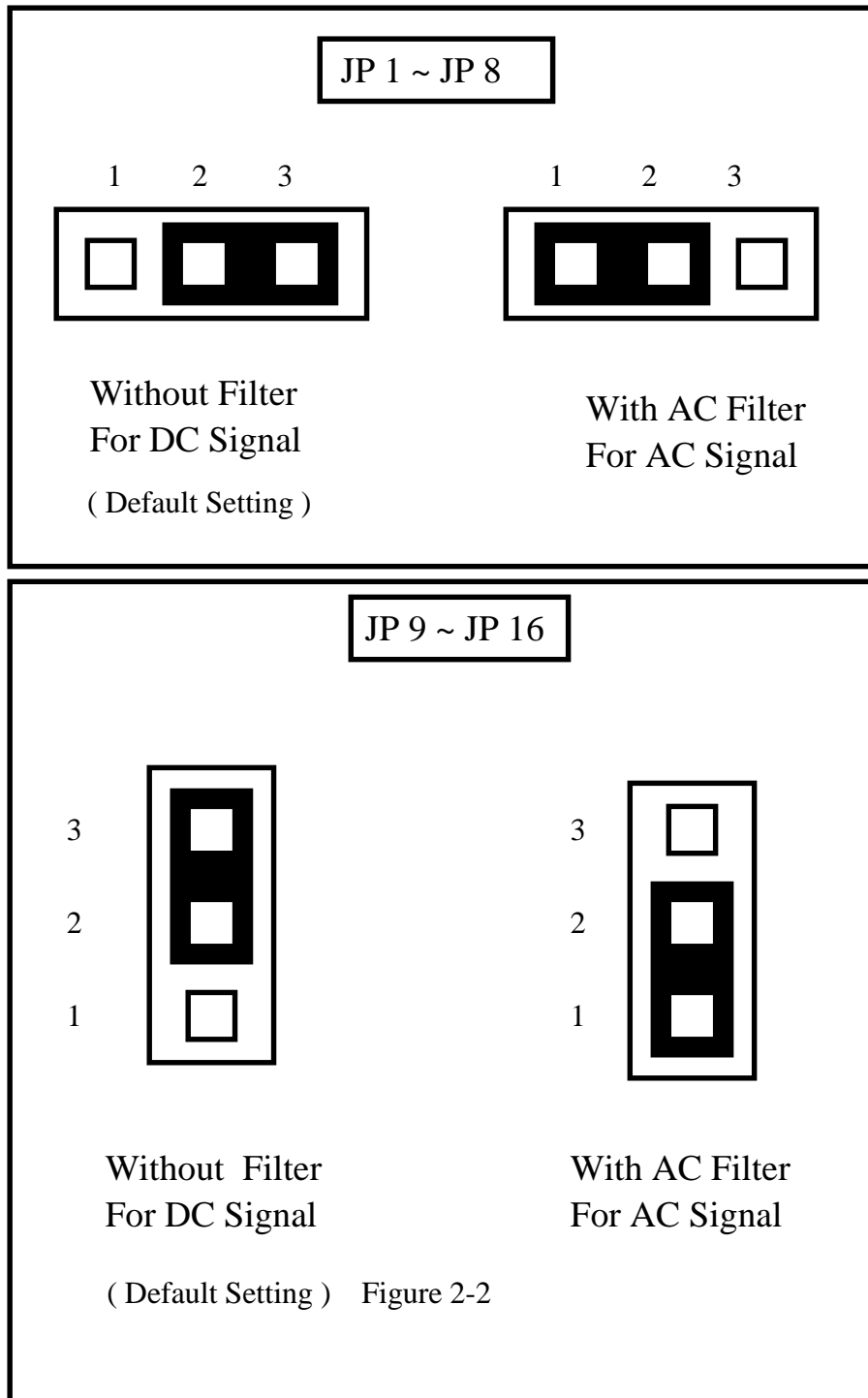
Figure 2-1

S1 Dip Switch	8	7	6	5	4	3	2	1
Address (Hex)	X	A9	A8	A7	A6	A5	A4	A3
200		OFF	ON	ON	ON	ON	ON	ON
:		:	:	:	:	:	:	:
2A0		OFF	ON	OFF	ON	OFF	ON	ON
:		:	:	:	:	:	:	:
(*) 300		OFF	OFF	ON	ON	ON	ON	ON
308		OFF	OFF	ON	ON	ON	ON	OFF
310		OFF	OFF	ON	ON	ON	OFF	ON
318		OFF	OFF	ON	ON	ON	OFF	OFF
:		:	:	:	:	:	:	:
3E8		OFF	OFF	OFF	OFF	OFF	ON	OFF
3F0		OFF	OFF	OFF	OFF	OFF	OFF	ON
3F8		OFF	OFF	OFF	OFF	OFF	OFF	OFF

(*) Default Setting Table 2-1

5.3.2. Jumper Setting

Each digital input channel can be jumper selected, single-pole ,RC filter with a time constant of 1.2 ms. Refer to Figure 2-2 to see which response jumper . correspond to which digital input channel.



Jumper	Input Channels
JP1	DI 0
JP2	DI 1
JP3	DI 2
JP4	DI 3
:	:
JP13	DI 12
JP14	DI 13
JP15	DI 14
JP16	DI 15

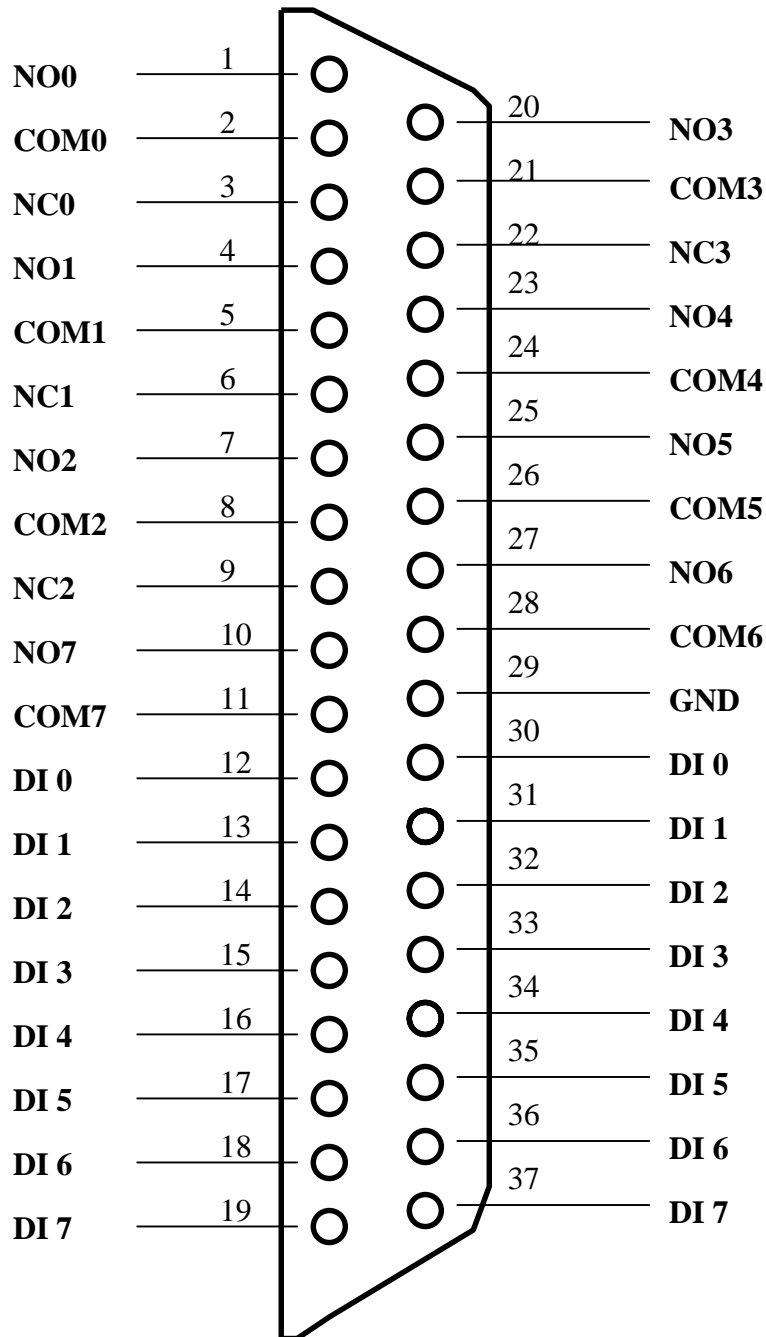
Table 2-2

If you are using AC input signals , you must short the AC FILTER jumper 1-2

If you are using DC input signals , the AC FILTER is optional. If the DC input signals response less than 20 us, set the filter off. If you want a slow response (about 5 to 10 ms)for rejecting noise or contact bouncing , short the AC FILTER jumper 1-2.

5.3.3.Pin-assignments

.Figure 2-3 are CN 2 pin assignments of the P16R16DIO connector.



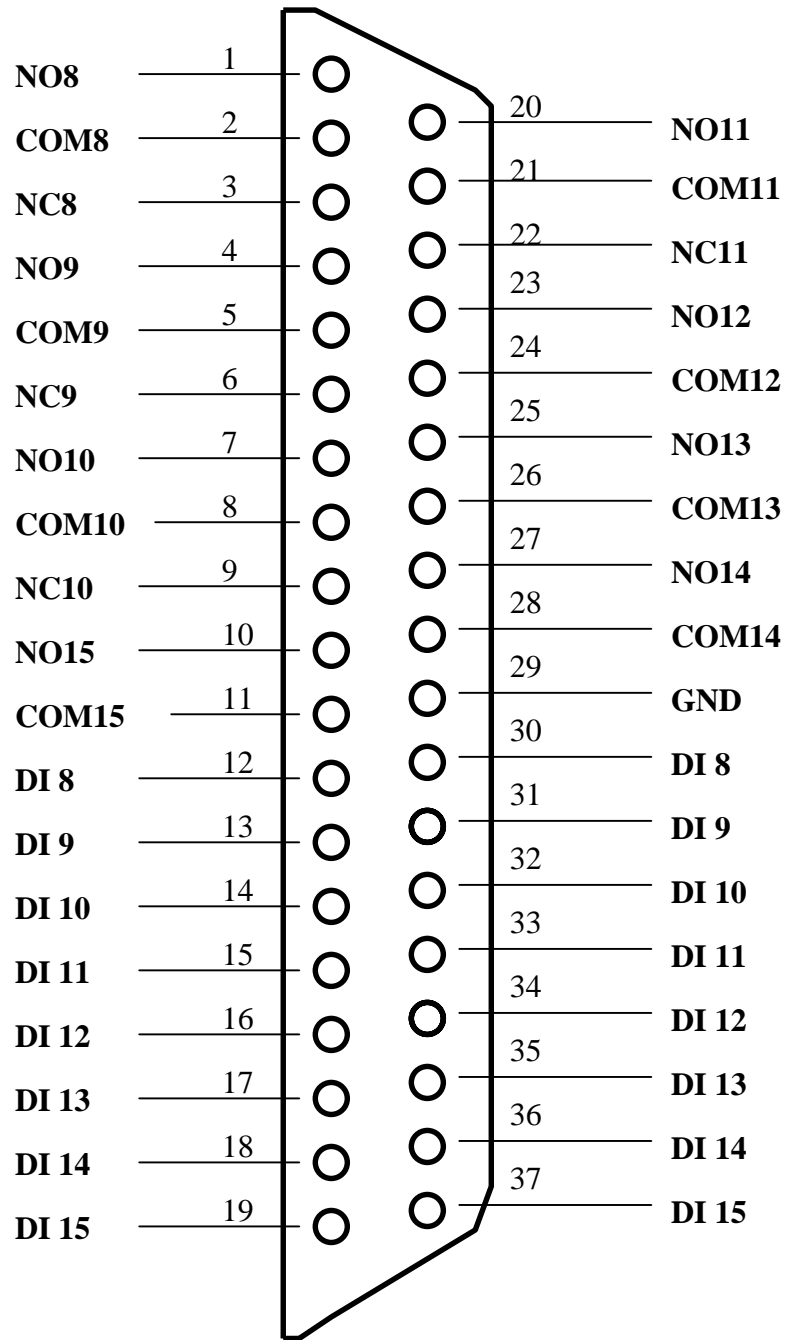
NO n : normally open

COM n : common

NC n : normally close

DI n : Digital input channel n

.Figure 2-4 are the CN1 linked to 37 pin D-sub connector pin assignment.

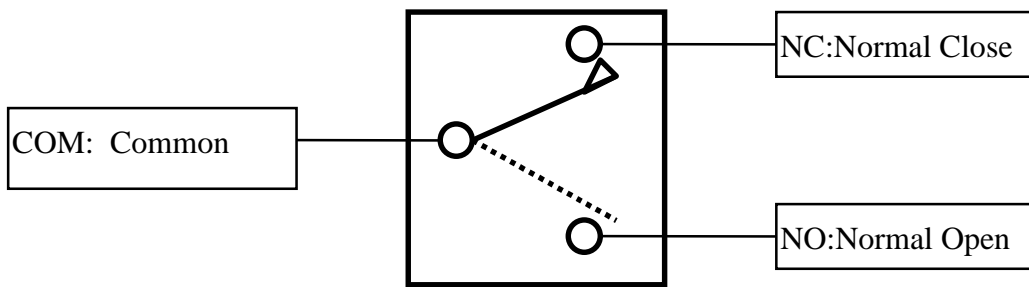


NO n : normally open

COM n : common

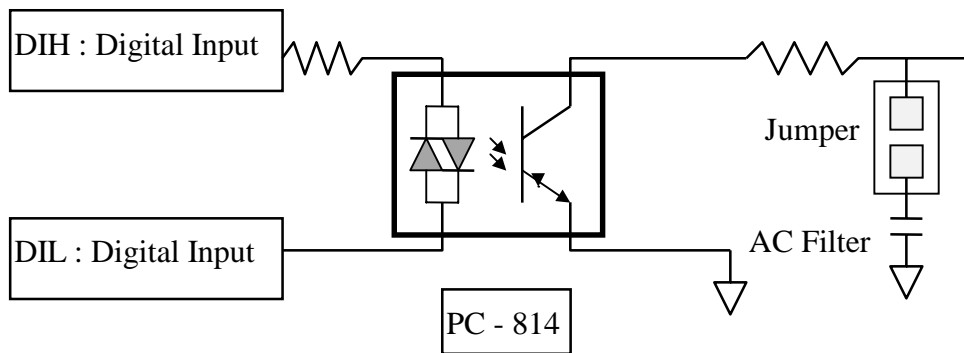
NC n : normally close

DI n : Digital input channel n



SPDT RELAY : Single Pole Double Throw

Figure 3-4



Isolated Input

Figure 3-5

6. Programming

This chapter provides the I/O map of P8R8DIO / P16R16DIO registers. Example programs and programming information are also included.

6.1. Address Map

The P16R16DIO boards occupy four consecutive addresses in the computer's I/O space. The base address is selected by DIP switch, The I/O map are shown in Table 3-1.

P16R16DIO Base Address at 300 Hex

Address	Write	Read
Base + 0	Relay Output (CH 0 ~ CH 7)	Read Back The Output Status
Base + 1	Relay Output (CH 8 ~ CH15)	Read Back The Output Status
Base + 2	No Function	Digital Input (CH0~CH7)
Base + 3	No Function	Digital Input (CH8~CH18)

Table 3-1 P16R16DIO I/O Map

6.2. Relay Output

You write data to relays as a single Byte. Each of the eight bits within a byte controls a single relay. A high bit (equal to 1) energizes (closes the contacts of) a relay while a low bit (equal to 0) turns the relay off.

6.2.1. Output Register

Relay Output register bits are assigned as shown in Table 3-2

P16R16DIO Base Address at 300 Hex

Base+0	D7	D6	D5	D4	D3	D2	D1	D0
Output Channel	7	6	5	4	3	2	1	0
Base+1	D7	D6	D5	D4	D3	D2	D1	D0
Output Channel	15	14	13	12	11	10	9	8

Table 3-2 P16R16DIO Relay Addresses in the Relay Output Register

Base+0	D7	D6	D5	D4	D3	D2	D1	D0
Read back channel	7	6	5	4	3	2	1	0
Base+1	D7	D6	D5	D4	D3	D2	D1	D0
Read back channel	15	14	13	12	11	10	9	8

Table 3-3 Relay output read back register

For Example (Basic Language)

REM : Set all relay output is ON , (Output data FFh)

Base=&h300 ‘ Set Base Address at 300 (Hex)

Out Base , &hFF ‘ Set Relay Output (Ch 0 ~ Ch 7) On

Out Base +1, &hFF ‘ Set Relay Output (Ch 8 ~ Ch 15) On

RBL= Inp(Base) ‘ Read Back Relay Output Ch 0 ~ Ch 7

RBH= Inp(Base+1) ‘ Read Back Relay Output Ch 8 ~ Ch 15

REM : Set relay output CH 3 is ON ,Output data 8h (00001000 BIN)

Out Base,&h8 ‘ Set relay output CN2 D3 ON



6.3. Relay Output

You write data to relays (CH0 - CH 7) as a single Byte. Each of the eight bits within a byte controls a single relay. A high bit(equal to1) energizes (closes the contacts of)a relay while a low bit (equal to 0) turns the relay off.

6.3.1. Output Register

Relay Output register bits are assigned as shown in Table 3-2

Base Address at 300 Hex

Base+0	D7	D6	D5	D4	D3	D2	D1	D0
Output Channel	7	6	5	4	3	2	1	0

Table 3-2 Relay Addresses in the Relay Output Register

For Example (Basic Language)

REM : Set all relay output is ON , (Output data FFh)

Base=&h300 ‘ Set Base Address at 300 (Hex)
Out Base , &hFF ‘ Set Relay Output (Ch 0 ~ Ch 7) On

RB= Inp(Base) ‘ Read Back Relay Output Ch 0 ~ Ch 7

REM : Set relay output CH 3 is ON ,Output data 8h (00001000 BIN)

Out Base,&h8 ‘ Set relay output CH 3 ON

6.3.2. Using Relay Output

Basic Circuitry : (Current Rating < 0.3 A) , Refer to Fig. 3-1

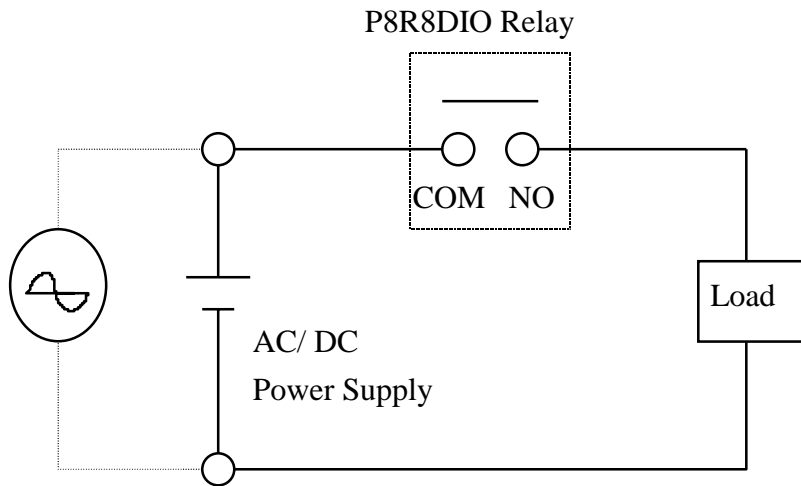


Figure 3-1

Heavy Loading Application (> 0.3 A) , Refer to Fig.3-2

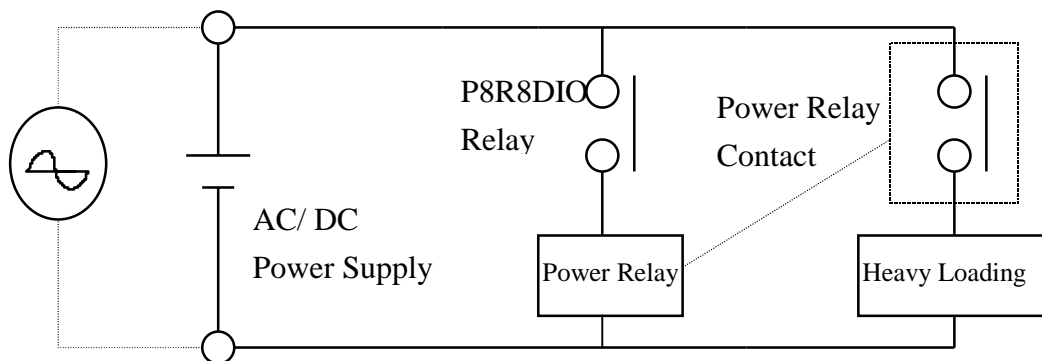


Figure 3-2

6.4. Isolated Input

The digital input state are read as a single byte from the port at base address+1 . Each of the eight bits within the byte corresponds to a particular digital input so that a high bit (equal to 1) represent a high state while a low bit (equal to 0) represent a low state . Register bits are assigned as shown in Table 3-3

6.4.1. Input Register

Base Address at 300 Hex

Base + 1	D7	D6	D5	D4	D3	D2	D1	D0
Input Channel	7	6	5	4	3	2	1	0

Table 3-3 input addresses in the isolated control input Register

For Example (Basic Language)

Base=&h300 ‘ Set Base Address at 300 (Hex)

RIH=Inp(Base+1) ‘ Read Isolated Input Ch 0 ~ Ch 7

6.4.2. Using Isolated Input

Basic Circuit

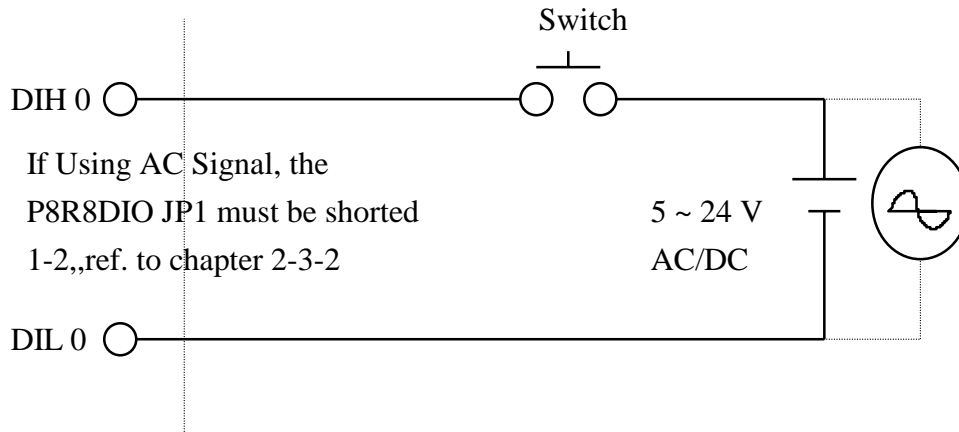
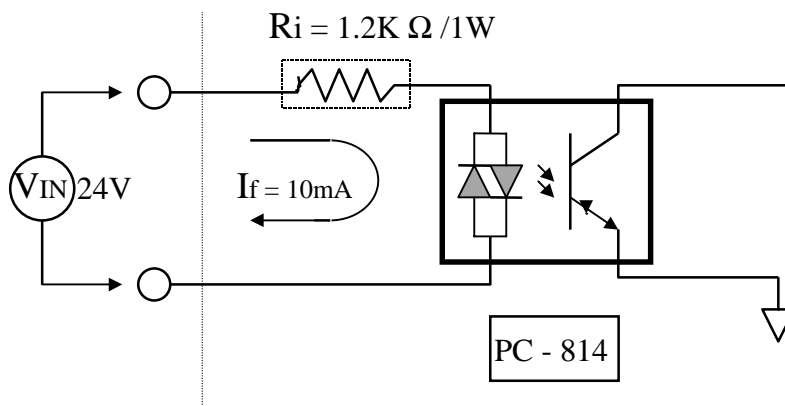


Figure 3-3

The normal input voltage range is 5 to 24V AC or DC . The normal input range can be changed by choosing suitable resistor to limit the current through the opto-isolator to about 10 mA(I_f). The default resistor is 1.2 K Ω / 1 W .



$$R_i = V_{in} / I_f$$

$$P_w = V_{in} \times I_f$$

Figure 3-4

Calculation Example :

If $V_{in} = 120 V$ Then $R_i = 120 (V) / 0.01 (A) = 12 K \Omega$

$P_w = 120 (V) \times 0.01 (A) = 1.2 W$

The R_i Must Replace By 12K Ω / 2 W (1.2W)

7. Troubleshooting

If your P8R8DIO board is not operating properly, use the information in this chapter to isolate the problem.

7.1. Problem Isolation

You can use an ohmmeter to check operation of the relay outputs and a low voltage power supply to check the isolated inputs. You can use DOS DEBUG program to exercise relay outputs or read the input ports, or you can use the INP and OUT commands of the BASIC language. For example, using DEBUG for a P8R8DIO at a base address set to &H300 is as follows:

O	300 FF	'Turn On all Relays.
O	300 0	'Turn Off all Relays.
O	300 08	'Turn On Bit D3 Relay.
I	300	'Read back Relay status
I	301	'Read Digital Input Data

