



I/O CARD QUICK START GUIDE

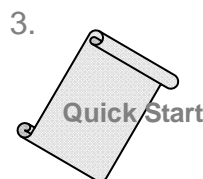
for **PCI-822LU/826LU**

Language	English
Version	V1.0
Update	Oct.2009

1

What's on your package?

- One PCI-822LU/PCI-826LU series card
- One companion PCI CD (V4.7 or later)
- One Quick Start Guide(This document)
- One CA-4002 D-Sub connector



2

Installing Windows Driver

Follow these steps:

1. Setup the Windows driver.




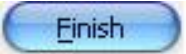
The driver is located at:

CD:\NAPDOS\PCI\UniDAQ\DLL\

<http://ftp.icpdas.com/pub/cd/iocard/pci/napdos/pci/unidaq/dll/>



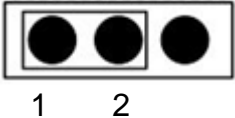
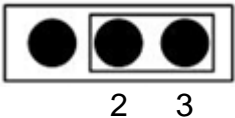
The Windows driver only supports Windows 98/NT/2000/XP/2003/Vista 32-bit and 32-bit Windows 7 versions.

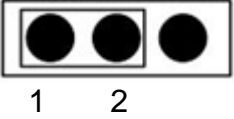
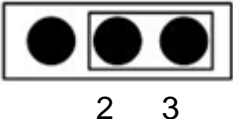
2. Click the  button to start the installation.
3. Click the  button to install the driver into the default folder.
4. Click the  button to continue the installation.
5. Select “**NO, I will restart my computer later**” and then click the  button.

3

Jumper Setting

- Set JP4 as “Soft Program” for **6. Self Test.**

JP4	Jumper Select (Default)	Software Programmable
DIO-S0		

JP4	DIO-S0 is Jumper Select Mode	
	DI (Default)	DO
DIO-S1 (Port A) DIO-S2 (Port B)		

- **Soft Program: Short the Pin 2 and 3 of DIO-S0** to set that the direction of DIO ports are controlled **by software.**
- **Jump Program: Short the Pin 1 and 2 of DIO-S0** to select Jump Program. The direction of I/O ports will be controlled by hardware.

Short the Pin 1 and 2 of DIO-S1, DIO-S2 to select the corresponding ports as DI port(s) or short the Pin 2 and 3 for setting as DO port(s).

4

Installing Hardware on PC

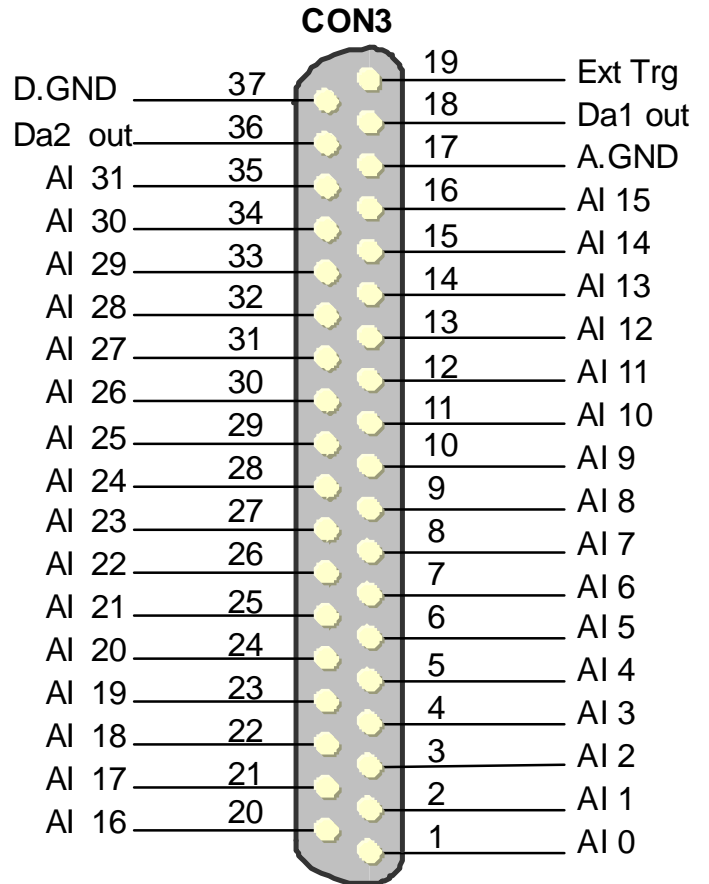
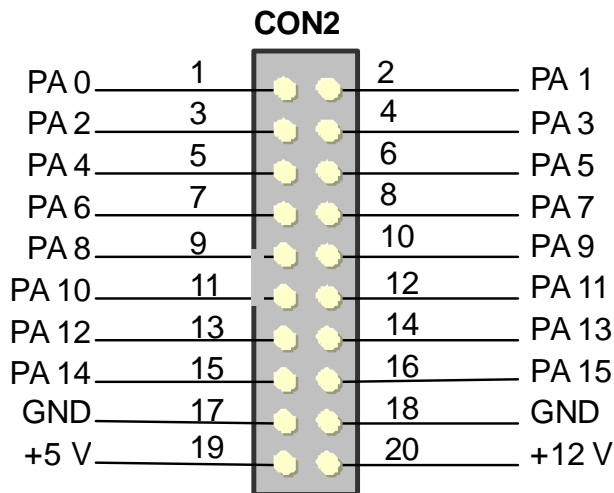
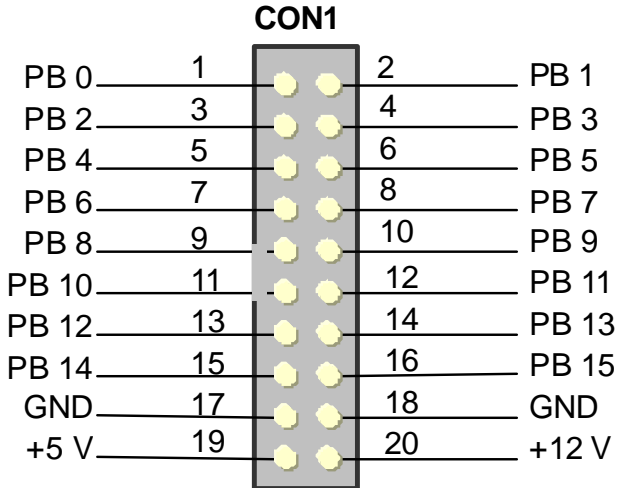
Follow these steps:

1. Shut down and power off your computer.
2. Remove the cover from the computer.
3. Select an unused PCI slot.
4. Carefully insert your I/O card into the PCI slot.
5. Replace the PC cover.
6. Power on the computer.

After powering-on the computer, please finish the Plug&Play steps according to the prompt message.

5

Pin Assignments



For detail jumper set and pin assignments information, please refer to:

CD:\NAPDOS\PCI\PCI-82x\Manual\PCI-82x User Manual_Eng_Beta.pdf
<http://ftp.icpdas.com/pub/cd/iocard/pci/napdos/pci/pci-82x/manual/>

6

Self Test

1. Use the CA-2002(Optional) to connect CON1 to CON2.



2. Execute the DIO sample program.

The sample program is contained in:

CD:\NAPDOS\PCI\UniDAQ\DLL\Demo\

<http://ftp.icpdas.com/pub/cd/iocard/pci/napdos/pci/unidaq/dll/demo/>

3. Select the board name of the PCI-822LU/826LU and select the port number of output/input then test DIO functions.

1: Select the board name of the PCI-822LU/ PCI-826LU.

2: Select the port number of output and input.

3: Click this button to do DIO function test.

4. Get DIO function test result.

4: Click the channel 0, 2, 4, 6 in the DO.

5: DI show to channel 0, 2, 4, 6 for high state. (Red light)

Complete

7

Additional Information

- ✓ PCI-822LU/826LU Series Card Product page:

http://www.icpdas.com/products/DAQ/pc_based/pci-822.htm

http://www.icpdas.com/products/DAQ/pc_based/pci-826.htm

- ✓ CA-2002(Optional) page:

http://www.icpdas.com/products/Accessories/cable/cable_selection.htm

- ✓ Documentation:

CD:\NAPDOS\PCI\PCI-82x\Manual

<http://ftp.icpdas.com/pub/cd/iocard/pci/napdos/pci/pci-82x/manual/>

- ✓ Software:

CD:\NAPDOS\PCI\UniDAQ\DLL

<http://ftp.icpdas.com/pub/cd/iocard/pci/napdos/pci/unidaq/dll/>

The ICP DAS Web Site

<http://www.icpdas.com>



Contact Us

Service@icpdas.com

- Technical support
- Supplies and ordering information
- Information related to upgrades, new technologies, products and solutions
- FAQ
- Application examples

Copyright ©2009 by ICP DAS Co., Ltd. All right are reserved