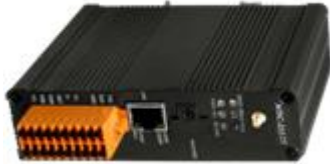


## What's in the Box?

The shipping package contains this document and the following items:



MDC-211-WF



ANT-225-05



CA-0910

## Resources

How to search for utility, manuals and spec information on ICPDAS website.

- Technical Support

[service@icpdas.com](mailto:service@icpdas.com)

[www.icpdas.com](http://www.icpdas.com)

- For Mobile Web

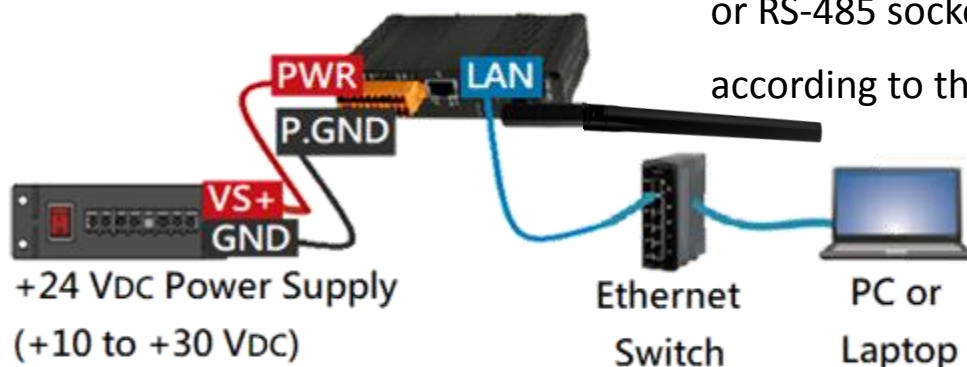


- For Desktop Web



## 1. Connecting to PC, Monitor and Power Supply

※ Connect the MDC-211-WF with RS-232 or RS-485 socket to the Modbus device according to the requirement.



## 2. Network Connection

MDC-211-WF Factory Defaults			
Network communication	IP	192.168.255.1	Please follow your case to modify the network settings.
	Mask	255.255.0.0	
	Gateway	192.168.0.1	
Web account password	Account	Admin	Case-insensitive
	Password	Admin	

1) If the MDC-211-WF and PC in different network domain, please change the PC's IP address, or use any of the following software to modify the MDC-211-WF IP address, detailed steps see the user manual.

- eSearch Utility

<http://ftp.icpdas.com/pub/cd/tinymodules/napdos/software/esearch/>

2) Open a PC side Browser (IE11/Chrome/Firefox, resolution: 800 x 600 or higher), type the MDC-211-WF's IP, and log in the web page by the default account and password.

## 3. Set Communication Port

Follow these steps to configure the communication port :

Click **【 Module Setting 】** → **【 Port Setting (Wi-Fi / Ethernet / Serial Port) 】** → **【 Modify 】** → **【 Save 】**

## 4. Set Modbus Master and Modbus Slave

Follow the steps to set up the Modbus related features:

Click **【Module Setting】** → **【Modbus RTU/TCP】** → **【Modify】** → **【Save】**

※ When the communication port is Modbus master, you can add polling information for the Modbus device.

**Modbus Data Concentrator MDC-211-WF**

System Information **Module Setting** I/O Information Other Information

**Port Setting**

- Wi-Fi
- Ethernet
- Serial Port

**Protocol Setting**

- Modbus RTU/TCP**

**Other**

- Import/Export
- Factory Default

**Modbus Configurations**

**Wi-Fi**

Modbus Mode: Modbus Slave  
Modbus ID: 1  
Modbus TCP Port: 502

**RS-232**

Modbus Mode: Modbus Slave  
Modbus ID: 1

**RS-485**

Modbus Mode: Modbus Master  
Modbus Timeout: 300  
Modbus Retry: 0  
Polling Interval: 1000

**Ethernet**

Modbus Mode: Modbus Slave  
Modbus ID: 1

Modify

**RS-485**

Modbus Mode: Modbus Master  
Modbus Timeout: 300 (ms)  
Modbus Retry: 0  
Polling Interval: 1000 (ms)

**Modbus Device**

Name	Address	0x	1x	3x	4x
+					

Save Cancel

**MBRTU Device**

**Module**

Module Name: (e.g.M-7060)  
Modbus Address: 1

**Modbus Register**

Enabled	Function Code	Start	Length	Range
<input checked="" type="checkbox"/>	01 Coils Output (0x)	0	4	[00000:00003]
<input checked="" type="checkbox"/>	02 Discrete Input (1x)	0	4	[10000:10003]
+				

OK Cancel

## 5. Confirm the Modbus Device Status

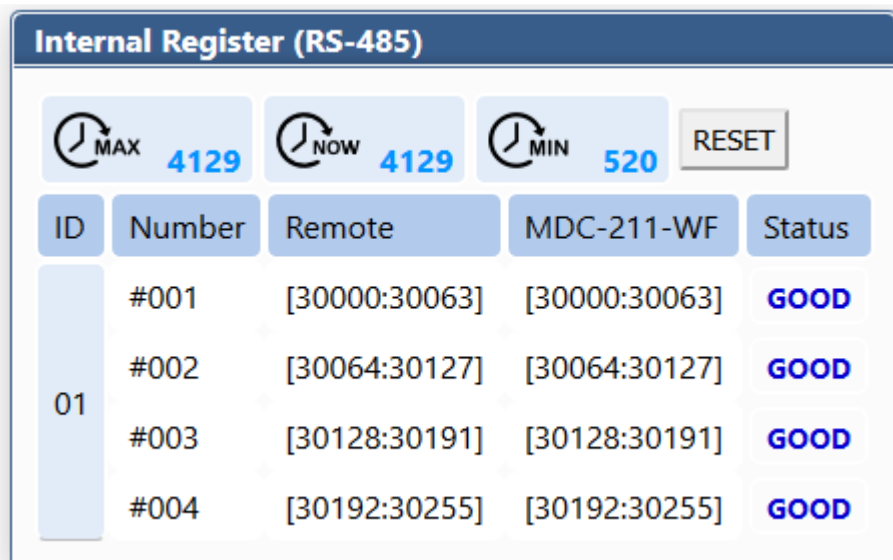
The polling status of each Modbus command and the address of the corresponding MDC-211-WF internal buffer (inner-register) can be viewed on the Web interface.

---

Click **【 I/O Information 】** → **【 Inner Register 】**

---

- 1) “Status” field displays the real-time polling status of Modbus command.
- 2) “MDC-211-WF” field shows the address of the internal buffer. The host computer (Modbus Master) can indirectly retrieve the real-time information of the Modbus device.



ID	Number	Remote	MDC-211-WF	Status
01	#001	[30000:30063]	[30000:30063]	GOOD
	#002	[30064:30127]	[30064:30127]	GOOD
	#003	[30128:30191]	[30128:30191]	GOOD
	#004	[30192:30255]	[30192:30255]	GOOD

## 6. Export and Import the System Setting

Users can import or export a \*.csv file for module setting or system backup.

- 1) Export:

---

Click **【 Module Setting 】** → **【 Import/Export 】** → **【 Export 】**

---

- 2) Import:

---

Click **【 Module Setting 】** → **【 Import/Export 】** → **【 Choose File 】** → **【 Import 】**

---