

## RS-232/485 to 433 MHz Radio Modem (For Russia Only)



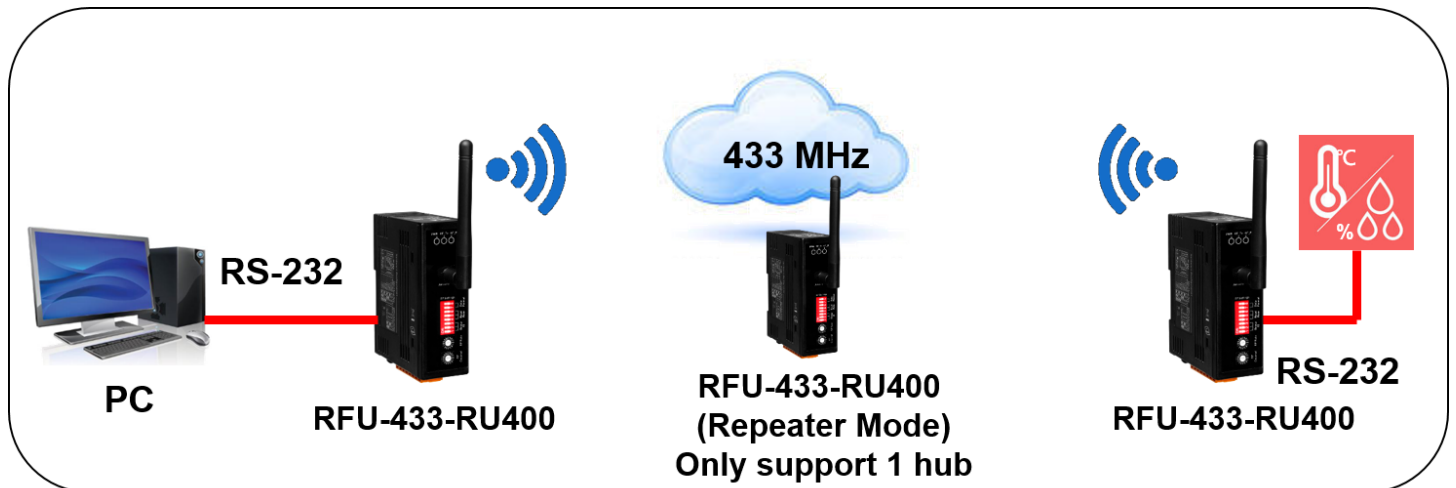
### Introduction / 簡介

The RFU-433-RU400 is an RS-232/RS-485 to 433 MHz radio modem that can be used to convert data from an RS-232/RS-485 device to an RF message that can then be transmitted in transparent mode via the 433 MHz ISM frequency band. The RFU-433-RU400 provides a maximum line of sight (LOS) transmission distance of 399 meters at an RF Baud Rate of 9600 bps. In order to overcome the interference that may be encountered in harsh environments, the RFU-433-RU400 allows the RF transmission Baud Rate to be configured to a minimum of 650 bps, enhancing the capability of the modem to resist noise and other interference. Additionally, the RF channels and Group IDs are adjustable, which is helpful when attempting to avoid interference encountered when two RFU-433-RU400 networks are adjacent. The 16 RF channels and 8 Group IDs can be configured in order to distinguish and control the different RFU-433-RU400 networks. The majority of these configuration parameters can be adjusted using a combination of the Rotary and DIP switches, thereby providing a simple method of maintaining the system if the RFU-433-RU400 modem needs to be replaced.

### Features / 特色

- 433MHz Radio Frequency
- Supports 16 RF Channels
- Supports 650 ~ 57600 bps Baud Rate for RF
- Transparent transmission mode
- Provides 1200 ~ 115200 bps Baud Rate for RS-232 and RS-485 interfaces
- DIN-Rail Mountable
- Operating Temperatures, -25 ° C ~ +75 ° C

## Applications / 應用領域

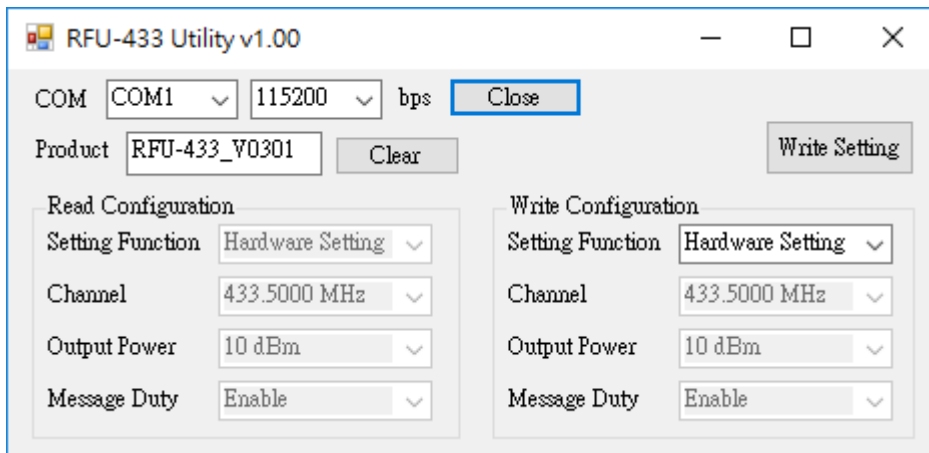


## Specifications / 規格

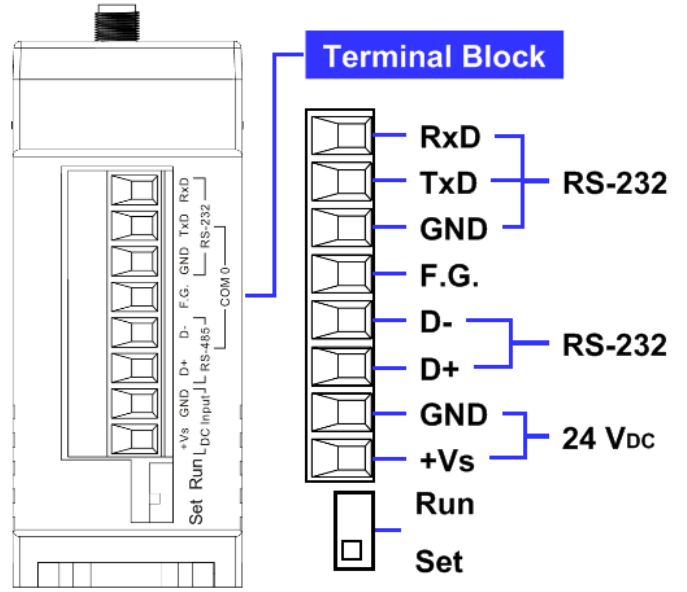
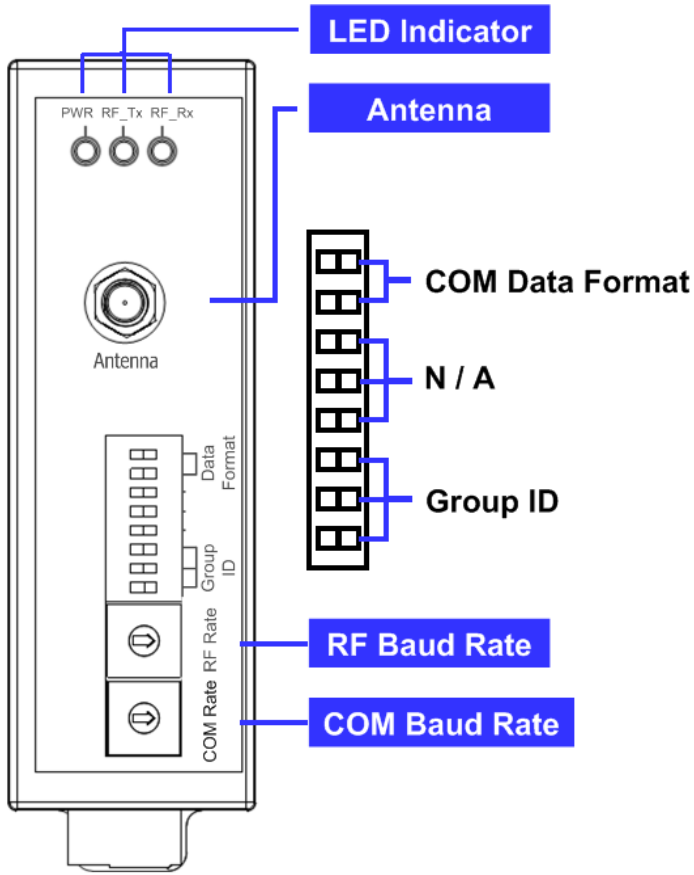
<b>RF Interface</b>	
Radio Frequency	433.1000 MHz ~ 434.6000 MHz
Baud Rate	57600, 38400, 19200, 9600, 4800, 2400, 1200, 650 bps
Transmission Power	Normal : 10 dBm , Max : 19 dBm
Antenna	0 dBi Omni directional, RPSMA connect
Transmission Distance (LoS)	399m (Max.)
Group ID	0 ~ 7
Protocols	Transparent transmit
Temporary Buffer Size	512 Bytes
Configuration	Rotary and DIP switch
Repeater Mode	Support 1 hub
<b>COM Port Interfaces</b>	
RS-232	TxD, RxD and GND
RS-485	D+, D- ; 3000 VDC for DC-to-DC
Baud Rate (bps)	1200 ~ 115200
Data Format	N81, E81, O81
<b>LED Indicators</b>	

RF_Tx	Green
RF_Rx	Yellow
PWR	Red
<b>Isolation</b>	
Intra-module Isolation	2500 Vrms by photocoupler ( RS-485 / RS-232 side )
<b>EMS Protection</b>	
ESD	+/- 4 kV Contact
EFT	+/- 1 kV
Surge	+/- 1 kV
<b>Power</b>	
Input Voltage Range	+10 VDC ~ +30 VDC
Power Consumption	1 W (Max.)
<b>Mechanism</b>	
Flammability	Fire Retardant Materials
Dimensions (L x W x H)	107 mm x 33 mm x 83.1 mm ( not include antenna )
Antenna Dimensions (L x Ø)	108 mm x 10 mm
Installation	DIN-Rail
<b>Environment</b>	
Operating Temperature	-25° C ~ +75° C
Storage Temperature	-30° C ~ +80° C
Relative Humidity	10 ~ 90% RH (non-condensing)

## Utility / 工具軟體



## Appearance / 外觀配置圖



Dimensions / 尺寸

