



## iCAM-MR6422X

Vari-Focal IR Dome IP Camera  
2MP, IP67



### Features

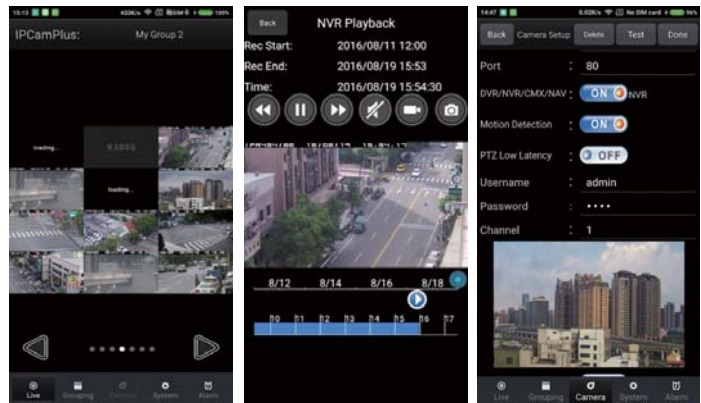
- Full HD 2 megapixel CMOS image sensor
- 1080P True H.264 AVC High Profile video compression
- H.264 and Motion JPEG multi-profile video streaming
- Smart H.264 supported
- 3D noise reduction (MCTF)
- 2D WDR function
- HDR function up to 100dB
- High efficiency IR LED, radiant distance up to 30m
- Day & Night (IR cut removable)
- ONVIF Profile S supported
- IP67 rain and dust resistant

### Introduction

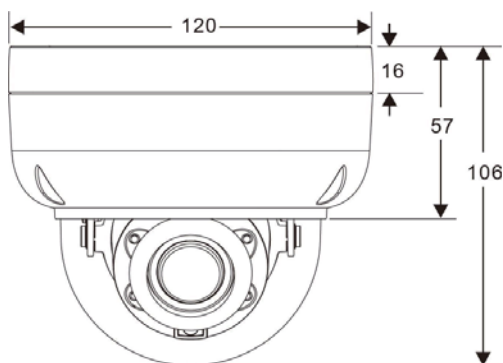
**iCAM-MR6422X** is an HD 30M-Range IR Varifocal Dome IP Camera in the M series features 1080p at 30 frames per second, built-in Sense up+ technology to deliver stunning video in low-light conditions, and intelligent video surveillance (IVS) functions. Utilizing intelligent image signal processing, HDR, AGC control, and 3D Noise Reduction, the combination successfully delivers the ultimate low-light image without motion blur. The support of PoE, privacy masking, white balance, as well as the minimum illumination 0.117 Lux at F1.4 can certainly satisfy multiple applications.

### Android/iOS Mobile APP: IPCamPlus

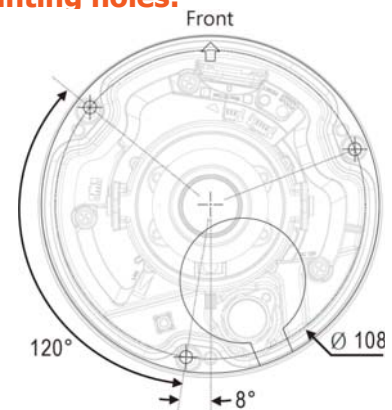
provide smart phone APP for Android and iOS platform. Apps allow you to catch the firsthand notifications and to take over all event situations in real-time. Furthermore, using the App can also allow you to reward the recorded video remotely. While the alarm is triggered, App will send a notification message to the user immediately.



### Dimensions: (Ø 120 × 106 mm)



### Diagram of mounting holes: (unit in mm)



## Specifications

Model	iCAM-MR6422X
<b>Video Performance</b>	
Min. Illumination	Color : 0.117 Lux at F1.4 ; B/W : 0.023 Lux at F1.4 ; 0 Lux with IR LED ON
<b>Lens / Night vision (infrared LED)</b>	
Focal Length	2.8 – 12mm
Iris	F1.4
Angle of View	102° (W) – 34° (T) (H) 54° (W) – 20° (T) (V) 122° (W) –39° (T) (D)
Peak Wavelength	850nm
Beam Spread	60°, 90°
Radiant Distance	30M
<b>Sensor</b>	
Pick Up Element	1/2.7" CMOS image sensor
Effective Pixels	1920 (H) × 1080 (V) = 2,073,600 (pixels)
<b>Video Streaming</b>	
Video Compression	H.264 main and high profile, Motion JPEG RTP/HTTP, RTP/TCP, RTP/UDP, Multicast 4
Video Streaming	configurable streams in H.264 and Motion JPEG, configurable frame rate and bandwidth
Number of streams	4
Video Bitrate	128Kbps – 12Mbps; Frame rate and bit rate controllable on-the-fly; VBR / CBR / GOP supported; Fixed bitrate; Smart H.264
<b>Network Security</b>	
Encryption	Base 64 HTTP encryption
Authentication	Digest HTTP authentication, RTSP authentication
Address Filter	IP address filter
Access	Multiple user access levels with password protection
Users	10 simultaneous users
Multi IP address	Yes
<b>Video Resolutions (H x V)</b>	
Resolution	2MP(1920 × 1080), 1.3MP(1280 × 960), 1MP(1280 × 720), D1(720 × 480, 720 × 576), VGA(640 × 480), CIF(352 × 240)
Maximum Frame Rate	H.264 / MJPEG : up to 30 fps @ 1920 × 1080
<b>Network</b>	
Ethernet	10/100 Mbps Base-T, RJ-45
OSD	Text overlay for date, time, and camera name
CPU, Memory	Embedded SoC ARM Cortex-A9, 600MHz, 256MB DDR3, 256MB flash memory
OS	Embedded Linux 3.10
Network Protocols	IPv4, IPv6, TCP, UDP, HTTP, HTTPS, SMTP, MQTT, QoS, SNMP, SNMP Trap, NTP, DDNS, UPnP, FTP, ARP, DHCP, PPPoE, DNS, RTSP, RTCP, Telnet, ICMP, IGMP, ONVIF Profile S, SDDP, Bonjour, 802.1x, SSL/TLS
User accounts	10 user accounts available
Video Display	Universal ActiveX, Java Applet & HTML5

Model	iCAM-MR6422X
<b>Video Functions</b>	
Scanning System	Progressive Scan
Infrared Cut Filter	Auto / Day (Color) / Night (Mono) / Schedule
White Balance	Auto / Tungsten / Indoor / Fluorescents1 / Fluorescents2 / Outdoor1 / Outdoor2
Back Light Compensation	On / Off
Electrical Shutter	1/30(1/25)s – 1/30000s
Sense Up	Off / 1 Frame / 2 Frames
Sense Up+	Yes
Auto Gain Control	42 dB Variable Gain
3D Noise Reduction	Off / 1 – 32 Selectable
2D WDR	Off / Auto / x2 / x3 / x4 (by normal mode)
High Dynamic Range	Up to 100dB (in HDR mode, 2 shutter line interleave)
Privacy Masking	Off / On (4 zones)
Image Effects	Brightness, Contrast, Hue, Saturation, Sharpness, Mirror, Flip, Corridor
Lens distortion correction(LDC)	Yes
<b>Integration</b>	
Mobile Application	Integrated to mobile app (IPCamPlus), iPhone, iPad, Android support
Video Management	ONVIF Profile S, Navigator Enterprise 2.0, Third party VMS through HTTP API
SD Card Recording	Support (128GB) Micro SD/SDHC/SDXC card for circular recording (card is not included)
Maintenance	Firmware update via HTTP and IP Scan; Firmware available at web site
IVS Basic	Motion Detection, Tampering Detection, Advanced Motion Detection, Tripwire, Traffic Light Detection, Object Counting
Event Triggers Event actions	Motion / Tamper / Network lost detection FTP / SMTP / HTTP post / SD card / SAMBA
Alarm weighted mode	Yes
Languages	English, Traditional Chinese, Simplified Chinese, Spanish, Italian, Turkish, Russian, Korean, French, Arabic, Hungarian, Japanese
<b>Normal</b>	
Power Supply	DC12V ±10% / PoE (IEEE 802.3af compliant)
Consumption	DC12V, 5.4W / PoE, 7W
Dimension	Ø 120 × 106 mm
Weight	700g approx
Certifications	CE, FCC(EMI CLASS B)
IP Rating Vandal Resistant	IP67
Operating Temperature	-40°C – +50°C (-40°F – 122°F)
Humidity	10% – 90% RH
<b>PC Requirements</b>	
CPU	Intel® Core™ i3 or higher grade
OS	Windows 7 or above
RAM	4GB or above, Dedicated Graphics Card
Web browser	Microsoft® Internet Explorer® 9 or above

## Ordering Information

<b>iCAM-MR6422X</b>	Vari-Focal IR Dome IP Camera, with 2MP and IP67 Resistant
---------------------	---