



iWSN-3020-TC-BT-IP65 iWSN-3020-TCF-BT-IP65

iWSN temperature measurement module with two K-Type Thermocouple input channels (Asia Only)

Features

- Two K-Type Thermocouple input channels
- Uses 433 MHz radio frequency for communication
- 16 RF Channels and 4 Group ID, consist of maximum 64 RF sub-networks
- Built-in disposable lithium battery
- Supports wall-mount or DIN-Rail or magnet adsorption for installation



Introduction

iWSN-3020-TC-BT-IP65 and iWSN-3020-TCF-BT-IP65 are wireless temperature sensing modules in the iWSN series. It provides IP65 grade of dust-proof and water-proof, 433 MHz wireless communication interface, and supports 2-channel K-Type thermocouple temperature measurement. It will actively periodically response the measured temperature to the iWSN wireless data concentrator. This module has a built-in disposable lithium battery for power supply, additional power supply is not required. It is suitable for environments with extremely thick dust, no power supply, and difficult wiring restrictions. That is contribute to real wireless deployment. Furthermore, this module can set 16 wireless channels and 4 Group ID, which is helpful for distinguishing and controlling 433 MHz wireless networks. Users only need to uses the DIP switch for configuration to complete the settings, that let the modules to be adjusted and maintained even simpler.

Applications

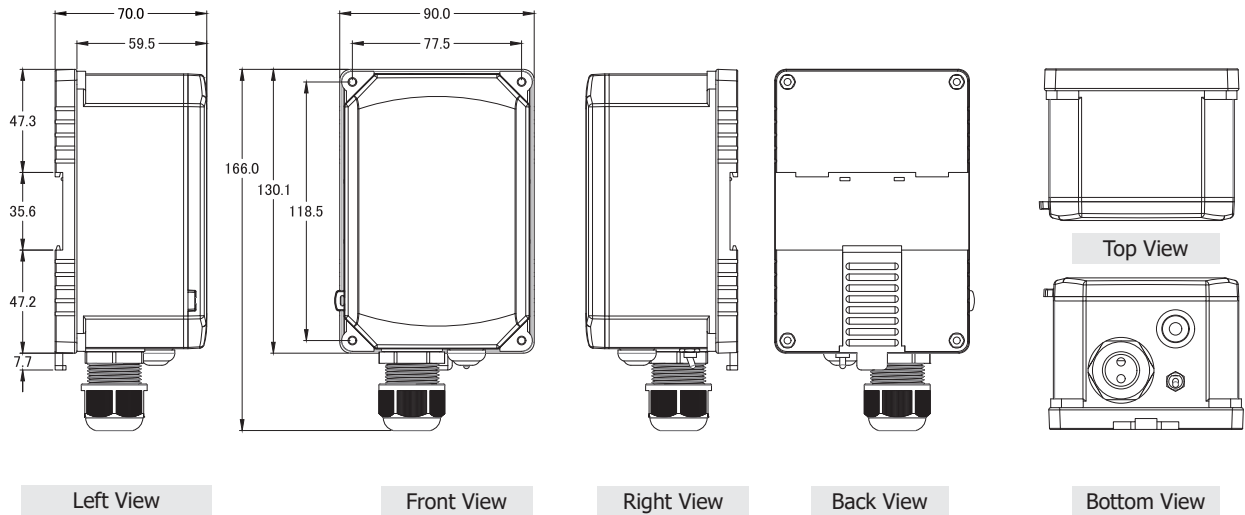


System Specifications

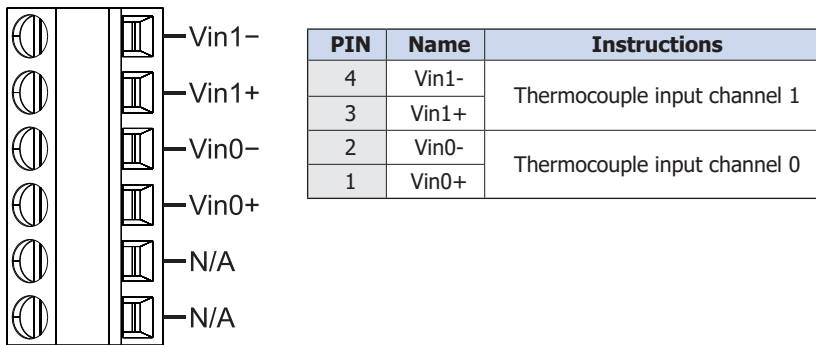
Model	iWSN-3020-TC-BT-IP65	iWSN-3020-TCF-BT-IP65
LED Indicators		
System LED Indicator	1 x STA	
Temperature Measurement		
Sensor Type	Thermocouple K-Type	
Channels	2	
Range	0 °C ~ +150 °C	0 °C ~ +1300 °C
Accuracy	±2 °C	±1 °C
RF		
Channels	0 ~ 15 configured by DIP switch	
Group ID	0 ~ 3 configured by DIP switch	
Radio Frequency	433MHz	
Transmission Distance (LoS)	100 m	
Node ID	1 ~ 31 configured by DIP switch	
Working Duty	1 sec, 10 sec, 30 sec and 60 sec (configured by DIP switch)	

Model	iWSN-3020-TC-BT-IP65	iWSN-3020-TCF-BT-IP65
Power		
Battery	CR123A (3.0 V, 1700mAh) x 2 Battery Life: 1 year (Working Duty: 10 sec) 3 years (Working Duty: 30 sec) 5 years (Working Duty: 60 sec)	
Mechanical		
Dimensions (mm)	95 x 165 x 75 (W x L x H)	
Installation	Wall-mount or DIN-Rail or magnet adsorption	
Ingress Protection Rating	IP65	
Environment		
Operating Temperature	0 °C ~ +60 °C	
Storage Temperature	-20 °C ~ +45 °C	
Humidity	20 ~ 65% RH, Non-condensing	

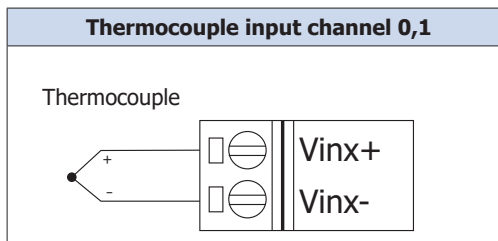
Dimensions (Units: mm)



Pin Assignments



Wire Connections



Ordering Information

iWSN-3020-TC-BT-IP65 CR	iWSN temperature measurement module with two K-Type Thermocouple input channels (RoHS) (Asia Only)
iWSN-3020-TCF-BT-IP65 CR	iWSN temperature measurement module with two K-Type Thermocouple input channels (RoHS) (Asia Only)