



GRP-500M

Ethernet/Serial/CAN to Ethernet/4G Gateway

Features

- Intelligent multiport serial gateway
- Intelligent Remote Terminal Unit (RTU)
- Support Ethernet, Serial port and CAN bus.
- Support Modbus RTU/TCP protocol
- Provide NAT and port forwarding function
- 4G / NB Modem (option)
- GPS function (option)
- High reliability in harsh environments.
- DIN-Rail mountable.



Introduction

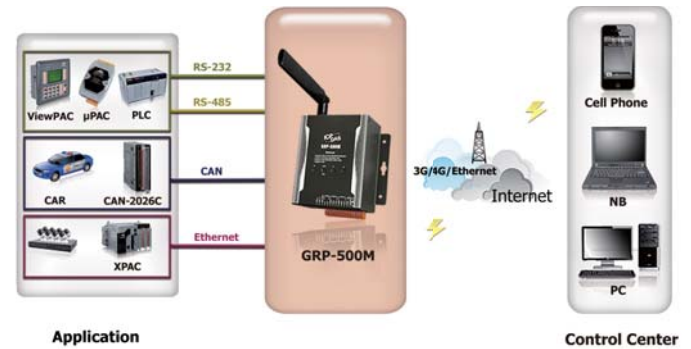
The GRP-500M provided by ICP DAS is a gateway for Ethernet, serial port and CAN. The GRP-500M can be used for wireless data transmission and other functions through its optional 4G / NB communication module. With the optional GPS module, the GRP-500M can also be used as a GPS tracking system for vehicle management or maritime system. It can be used in M2M application to transmit remote I/O, Modbus data or camera video. Within the high-performance CPU, the GRP-500M can process large amounts of data in a high-performance CPU and is suitable for harsh industrial environments.

System Specifications

CPU Module	
CPU	ARM CPU
EEPROM	16 KB (Data Retention: 40 years; 1,000,000 erase/write cycles)
Storage Expansion	SD Card (Max. 32GB SDHC)
Watchdog Timer	Yes
LED Indicators	
Status	1 x RUN/PWR 1 x L1 1 x L2 1 x L3
COM Ports	
COM Ports	1 x RS-232 (Console, Debug)
Ports	1 x RS-232 1 x RS-485 (3000VDC Isolated)
Ethernet	
Ports	1 x RJ-45, 10/100Base-T(X)
CAN	
Signal Line	CAN Bus (CAN_H, CAN_L)
Power	
Consumption	4.8W (200 mA @ 24 VDC)
Mechanical	
Casing	Metal
Dimensions (mm)	117 x 126 x 58 (W x L x H)
Installation	DIN-Rail / Screw
Environment	
Operating Temperature	-25 ~ +75 °C
Storage Temperature	-30 ~ +80 °C
Humidity	10 ~ 95% RH, Non-condensing

Applications

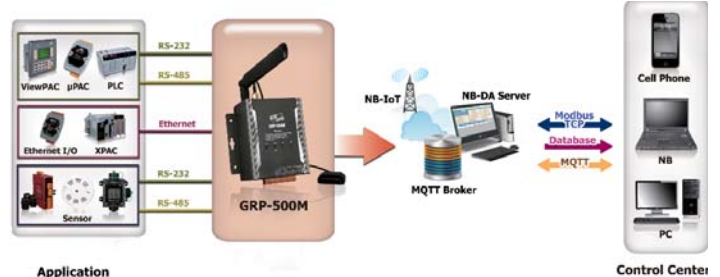
4G / Ethernet Gateway



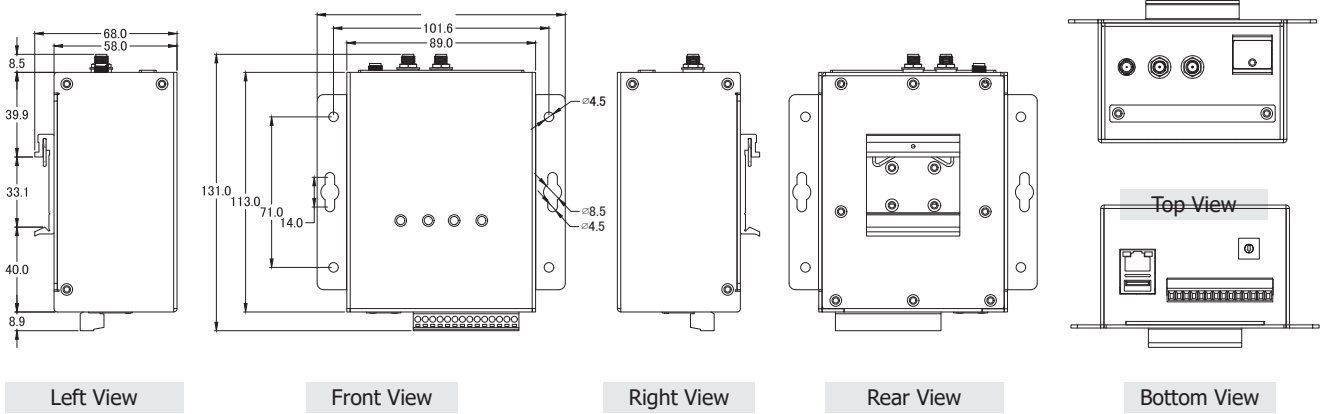
Remote Video Monitor



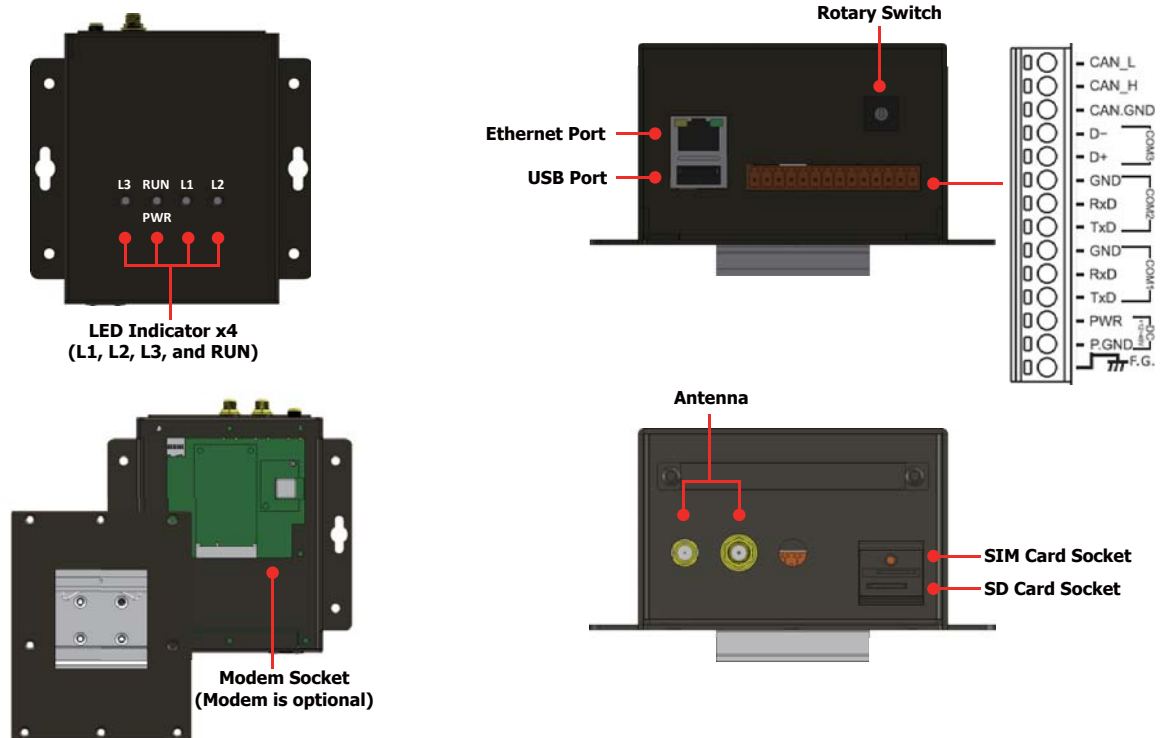
NB-IoT Gateway



Dimensions (Units: mm)







Wire Connections



Ordering Information

GRP-500M CR	Ethernet/Serial/CAN to Ethernet/4G Gateway (RoHS)
--------------------	---

Accessories

	ANT-124-05 CR	5 dBi, 2.4 GHz omni-directional antenna (RP SMA Male Plug) (RoHS)
	ANT-115-03 CR	GPS magnetic mount antenna with 5 meters cable (SMA Male Plug) (RoHS)
	EC25-E CR	3G/4G Communication LTE category 4 module
	BG96 CR	NB1/M1/EGPRS Communication LPWA module