



## NMC-9181

Network Management Controller with E3845 CPU and 64GB SSD

### Features

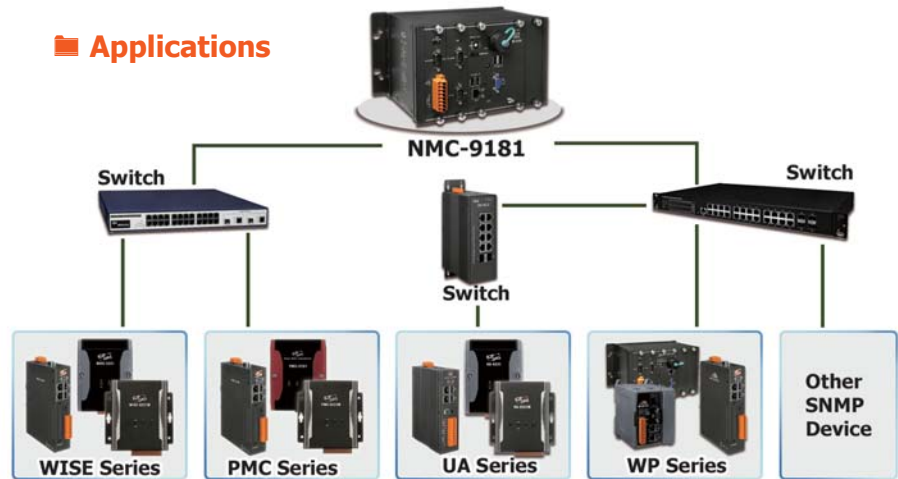
- Ubuntu 20.04 LTS (64-bit)
- Linux Kernel 5.11.0-40
- Built-in LibreNMS Software
- Intel® Atom™ E3845 1.91 GHz
- 4 GB DDR3 SDRAM
- 64 GB SSD
- VGA / HDMI Display Output
- 2 10/100/1000M Ethernet Ports
- Redundant Power Input



### Introduction

The NMC-9181 is a simple and easy-to-use network management controller that can be operated without professional skills, and can manage network devices without additional software installation. It is equipped with an Intel E3845 CPU and multiple interfaces, including dual Gigabit Ethernet, HDMI, VGA, USB ports, RS-232 and RS-485 interfaces. The NMC-9181 built-in LibreNMS software package, users can easily complete network device management tasks through LibreNMS.

### Applications

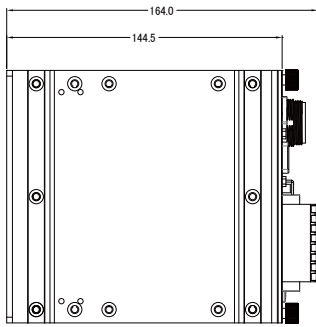


### System Specifications

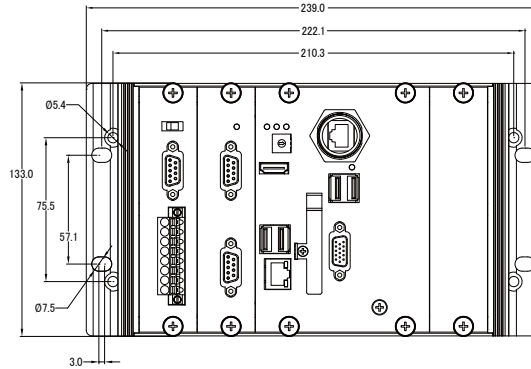
| Software                      |   |
|-------------------------------|---|
| OS                            | Linux Kernel 5.11.0-40  |
| Service                       | SSH , XRDP, Web Server and LibreNMS   |
| Main Unit                     |   |
| CPU                           | E3845, 1.91 GHz, 64-bit quad core   |
| 64-bit Hardware Serial Number | Yes   |
| System Memory                 | 4 GB DDR3 SDRAM   |
| Storage                       | 64 GB SSD, 32 GB CF card  |
| Non-Volatile Memory           | 128 KB MRAM, 16 KB EEPROM   |
| Real Time Clock               | Provide seconds, minutes, hours, dates, day of week, month, year  |
| Watchdog Timer                | Dual Watchdog Timer   |
| Display                       |   |
| Signal                        | VGA, HDMI   |
| LED Indicators                |   |
| Status                        | PWR, RUN, L1, L2  |
| I/O Expansion                 |   |
| I/O Type                      | I-9K, I-97K series  |
| Slots                         | 1   |
| COM Ports                     |   |
| Ports                         | 1 x RS-232 (3000 VDC Isolated),<br>1 x RS-485 (3000 VDC Isolated),<br>2 x RS-232/RS-485 (3000 VDC Isolated) |

| HMI                    |                                |
|------------------------|--------------------------------|
| Buzzer                 | Yes                            |
| Rotary Switch          | 1 x 10 Position (0 ~ 9)        |
| Ethernet               |                                |
| Ports                  | 2 x RJ-45, 10/100/1000 Base-TX |
| USB                    |                                |
| Ports                  | 4 x USB 2.0                    |
| Power                  |                                |
| Input Range            | +10 ~ 30 VDC (1 kV Isolated )  |
| Redundant Power Inputs | Yes                            |
| Consumption            | 18.5 W                         |
| Mechanical             |                                |
| Casing                 | Metal                          |
| Dimensions (mm)        | 239 x 164 x 133 mm             |
| Installation           | DIN-Rail, Wall mounting        |
| Environment            |                                |
| Operating Temperature  | -25 ~ +60 °C                   |
| Storage Temperature    | -30 ~ +80 °C                   |
| Humidity               | 10 ~ 90% RH, (Non-condensing)  |

## Dimensions (Units: mm)

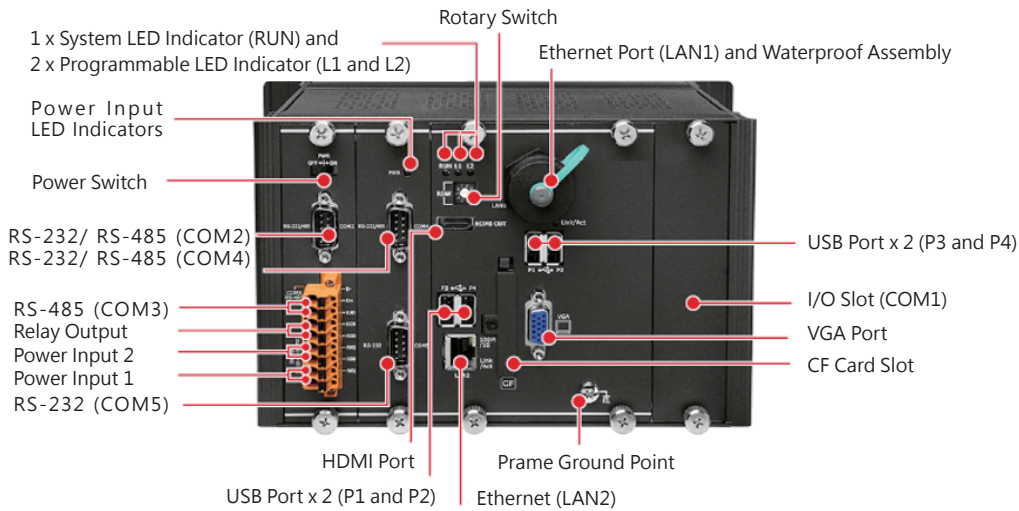


Left View



Front View

## Appearance



## Ordering Information

|                    |  |
|--------------------|--|
| <b>NMC-9181 CR</b> | Network Management Controller with E3845 CPU and 64GB SSD (RoHS) |
|--------------------|--|