

Packing List

In addition to this guide, the package includes the following items:



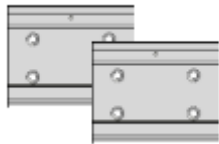
NMC-9181



CF slot with a CF card



Screw Driver



60 mm DIN-Rail Clip x 2



RJ-45 Waterproof Assembly



M3x6L Screw x 8

Technical Support

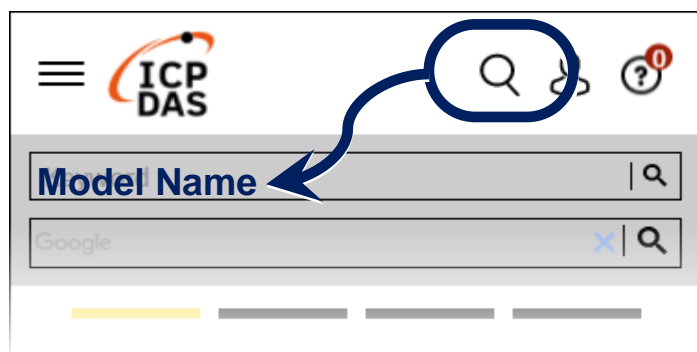
service@icpdas.com

www.icpdas.com

Resources

How to search for drivers, manuals and spec information on ICP DAS website.

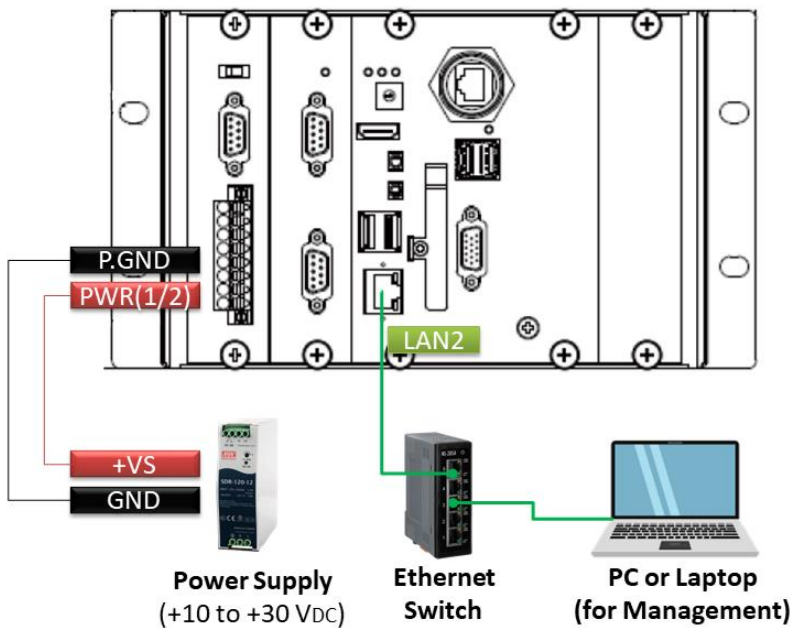
- For Mobile Web



- For Desktop Web

1. Connecting to PC and Power Supply

- 1) Connect PC to the LAN2 through an Ethernet switch.
- 2) Connect the power supply (+10 to +30 V_{DC}) to PWR and P.GND terminals.



2. Using eSearch Utility to Connect the PAC

eSearch Utility Website

http://www.icpdas.com/en/product/guide+Software+Utility_Driver+eSearch_Utility

- 1) Searching the ethernet device connected on the network
- 2) Select NMC-9181 (The default IP of LAN2 is: 192.168.255.1/255.255.0.0)
- 3) Connect to the web pages (The default login name is “librenms”, password is “D32fwefwf”).

