



I-7063

8-ch Isolated (Wet, 4~30 VDC) DI and 3-ch Power Relay Module



I-7063D



I-7065(D)

4-ch Isolated (Wet, 4~30 VDC) DI and 5-ch Power Relay Module



M-7065(D)

■ Features

- I-7063(D)
 - 8 Digital Inputs and 3 Relay Outputs
- I-7065(D) and M-7065(D)
 - 4 Digital Inputs and 5 Relay Outputs
- Sink- or Source-type Digital Input
- Form A Power Relay Output
- Digital Input Channels can be used as 16-bit Counters
- Configurable Power-on Value and Safe Value Settings
- Built-in Dual Watchdog



■ Introduction

The I-7063 module provides 8 digital input channels and 3 Form A relay output channels, and the 7065 series provides 4 digital input channels and 5 Form A relay output channels. All digital input channels can be used as 16-bit counters. In addition, the digital input channels can be selected either as sink- or source-type via wire connections. The I-7063D provides 11 LED indicators and the I-7065D/M-7065D provides 9 LED indicators that can be used to monitor the status of the digital input and relay output. The M-7065 supports both the Modbus RTU and DCON protocols, which can be configured via software. There are also options for configuring power-on and safe values. 4 kV ESD protection and 3750 V_{DC} intra-module isolation are also provided to enhance noise protection capabilities in industrial environments.

■ System Specifications

Model	I-7063	I-7065	M-7065
	I-7063D	I-7065D	M7065D
CPU Module			
Watchdog Timer	Module, Communication (Programmable)		
Display			
Type	7050D/50AD: I/O LED Indicator		
Isolation			
Intra-module Isolation	3750 VDC		
EMS Protection			
EFT (IEC 61000-4-4)	±2 kV for Power Line		
ESD (IEC 61000-4-2)	±4 kV Contact for Each Terminal ±8 kV Air for Random Point		
LED Indicators			
Status	1 x Power and Communication		
	7063D/65D: DI/Relay Output		
	11	9	
COM Ports			
Ports	1 x RS-485		
Baud Rate	1200 ~ 115200 bps		
Data Format	(N, 8, 1), (N, 8, 2), (E, 8, 1), (O, 8, 1)		
Protocol	I-7000: DCON M-7000: Modbus RTU, DCON		
Power			
Reverse Polarity Protection	Yes		
Input Range	+10 ~ +30 VDC		
Consumption	0.9 W	1.3 W	
	1.4 W	1.8 W	
Mechanical			
Dimensions (mm)	72 x 123 x 35 (W x L x H)		
Installation	DIN-Rail Mounting		

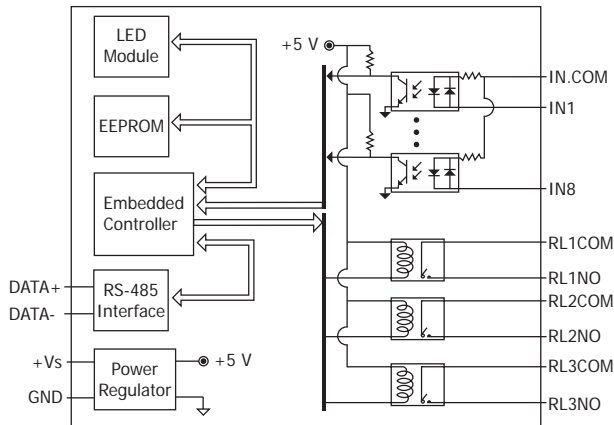
■ I/O Specifications

Model	I-7063	I-7065	M-7065
	I-7063D	I-7065D	M7065D
Digital Input/Counter			
Channels	8	4	
Type	Wet Contact		
Sink/Source (NPN/PNP)	Sink/Source		
ON Voltage Level	+1 VDC Max.		
OFF Voltage Level	+4 ~ +30 VDC		
Max. Counts	65535 (16-bit)		
Frequency	100 Hz		
Min. Pulse Width	5 ms		
Input Impedance	3 kΩ		
Overvoltage Protection	±35 VDC		
Relay Output			
Channels	3 (Form A)	5 (Form A)	
Type	Power Relay		
Contact Material	Gold-plated Silver Cadmium Alloy		
Contact Rating	5 A @ 250 VAC 5 A @ 30 VDC		
Operate Time	6 ms		
Release Time	3 ms		
Electrical Endurance	1 x 10 ⁵ ops.		
Mechanical Endurance	2 x 10 ⁷ ops.		
Power on Value	Programmable		
Safe Value	Programmable		

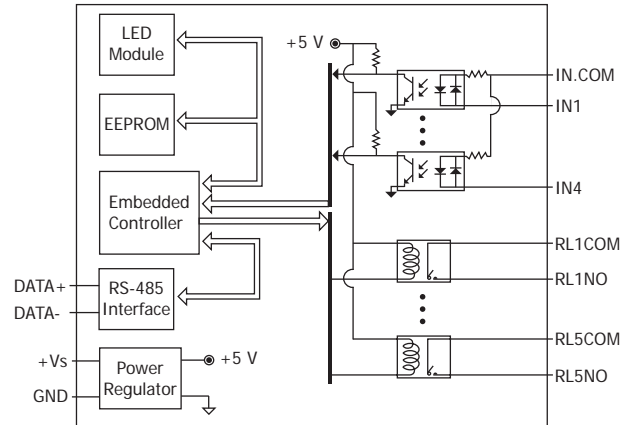
Environment	
Operating Temperature	-25 ~ +75°C
Storage Temperature	-40 ~ +85°C
Humidity	10 ~ 95% RH, Non-condensing

Internal I/O Structure

I-7063(D)

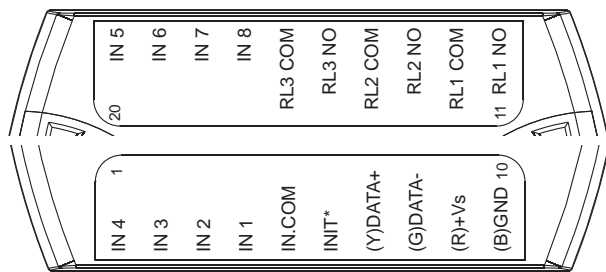


I-7065(D)/M-7065(D)

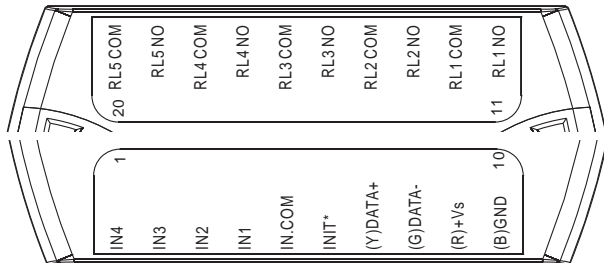


Pin Assignments

I-7063(D)



I-7065(D)/M-7065(D)



Wire Connections

DI/Counter	ON State Readback as 1	OFF State Readback as 0
Sink	OPEN or <1 VDC	+4 ~ +30 VDC
Source	OPEN or <1 VDC	+4 ~ +30 VDC
Output Type	ON State Readback as 1	OFF State Readback as 0
Relay Output		

Ordering Information

I-7063 CR	8-ch Isolated (Wet, 4~30 VDC) DI and 3-ch Power Relay Module using DCON Protocol (Blue Cover) (RoHS)
I-7063D CR	8-ch Isolated (Wet, 4~30 VDC) DI and 3-ch Power Relay Module with LED Display using DCON Protocol (Blue Cover) (RoHS)
I-7065 CR	4-ch Isolated (Wet, 4~30 VDC) DI and 5-ch Power Relay Module using DCON Protocol (Blue Cover) (RoHS)
I-7065-G CR	4-ch Isolated (Wet, 4~30 VDC) DI and 5-ch Power Relay Module using DCON Protocol (Gray Cover) (RoHS)
I-7065D CR	4-ch Isolated (Wet, 4~30 VDC) DI and 5-ch Power Relay Module with LED Display using DCON Protocol (Blue Cover) (RoHS)
I-7065D-G CR	4-ch Isolated (Wet, 4~30 VDC) DI and 5-ch Power Relay Module with LED Display using DCON Protocol (Gray Cover) (RoHS)
M-7065-G CR	4-ch Isolated (Wet, 4~30 VDC) DI and 5-ch Power Relay Module using DCON and Modbus Protocols (Gray Cover) (RoHS)
M-7065D-G CR	4-ch Isolated (Wet, 4~30 VDC) DI and 5-ch Power Relay Module with LED Display, using DCON and Modbus Protocols (Gray Cover) (RoHS)

Accessories

tM-7520U CR	tM-7561 CR	tM-SG4 CR	I-7514U CR	SG-770 CR
RS-232 to RS-485 Converter (RoHS)	USB to RS-485 Converter (RoHS)	RS-485 Bias and Termination Resistor Module (RoHS)	4-channel RS-485 Hub (RoHS)	7/14 channel Surge Protector (RoHS)
SG-3000 Series	Signal Conditioning Modules for Thermocouple, RTD, DC Voltage, DC Current and Power Input Transformers			