



## EC4-P16

EtherCAT SubDevice Slim Module with Isolated 16-ch DI

### Introduction

The EC4-P16 is an industrial I/O module with 16 isolated digital inputs, based on the slim-type design. It features the EtherCAT protocol, providing a system with higher scalability and fewer cables. Users can obtain input status through data and LED indicator lights. Having passed consistency tests and verification, the EC4-P16 can be easily operated by compatible EtherCAT MainDevice, facilitating the implementation of various applications.

### Specifications

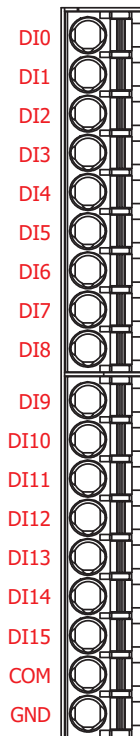
EMS Protection		
EFT (IEC 61000-4-4)	Signal: 1 KV Class B; Power: 1 KV Class B	
ESD (IEC 61000-4-2)	±4 KV Contact for Each Terminal	
Surge (IEC 61000-4-5)	± 1 KV Class A	
Digital Input		
Channels	16	
Input Type	Wet (Sink/Source) / Dry (Source)	
Wet Contact	ON Voltage Level	+5V~+24V
	OFF Voltage Level	+2V Max.
Dry Contact	ON Voltage Level	Close to GND
	OFF Voltage Level	Open
Isolation	3750VDC	
EtherCAT		
Cycle Time	100 μs	
Distributed Clocks	Yes	
Power		
Input Range	+24 VDC	
Consumption	2.5 W	
Mechanical		
Casing	Plastic	
Dimensions (mm)	17.5 x 100 x 73 (W x L x D)	
Installation	DIN-Rail or Wall Mounting	
Environment		
Operating Temperature	-25 ~ +75°C	
Storage Temperature	-30 ~ +80°C	
Humidity	10 ~ 90% RH, Non-condensing	

### Features

- On the fly processing: EtherCAT
- Removable terminal block connector
- LED indicators for the I/O status
- Built-In isolated 16-channel digital inputs
- Low Pass Filter



### Pin Assignments



### Wire Connections

Digital Input/Counter	Readback as 1	Readback as 0
Sink	+5 ~ +24V 	OPEN or < 2 Vdc 
	+5 ~ +24V 	OPEN or < 2 Vdc 
Dry Contact	Close to GND 	OPEN 

## Applications

# Create your own I/O module

Maximize your I/O system and applications in limited space



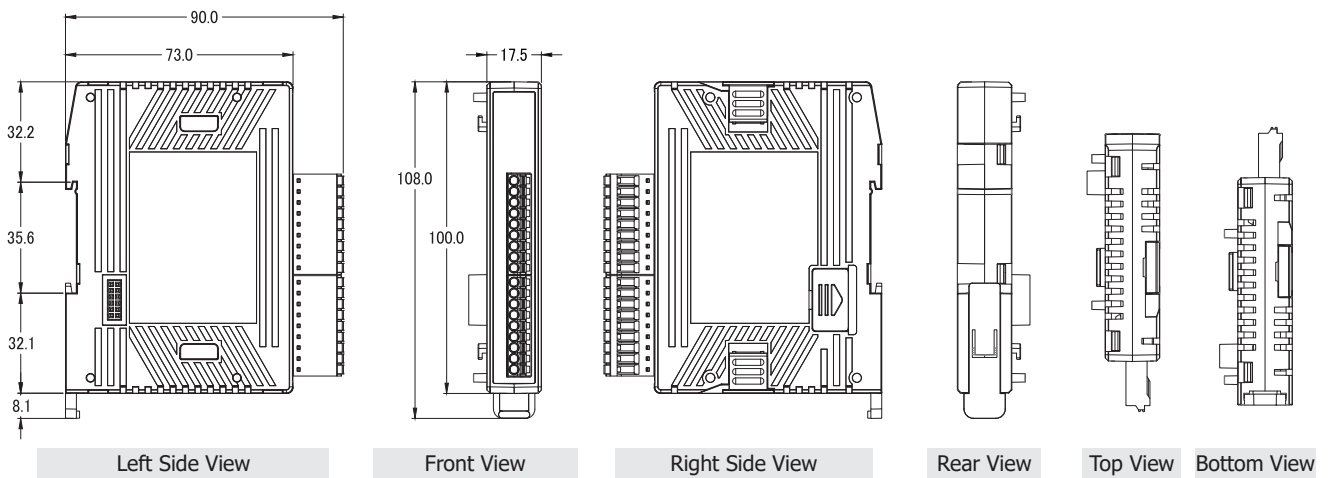
▲ PAC/PLC (EMP-905X)

EtherCAT

- Digital I/O
- Analog I/O
- Strain measurement
- Temperature measurement
- Motion Control
- Communication coupler



## Dimensions (Units: mm)



## Ordering Information

**EC4-P16 CR** EtherCAT SubDevice Slim Module with Isolated 16-ch DI (RoHS)