



R-9028CH

8-ch isolated Current Output Redundant Module
with HART Master Interface

Features

- 8 current output channels
- Power-on value & Safety value
- Built-in HART master interface
- 16-bit D/A Converter
- Channel disconnection detection
- Termination board disconnection detection
- Redundant switching time (<1 ms)
- Supports automatic detection of output current accuracy



Introduction

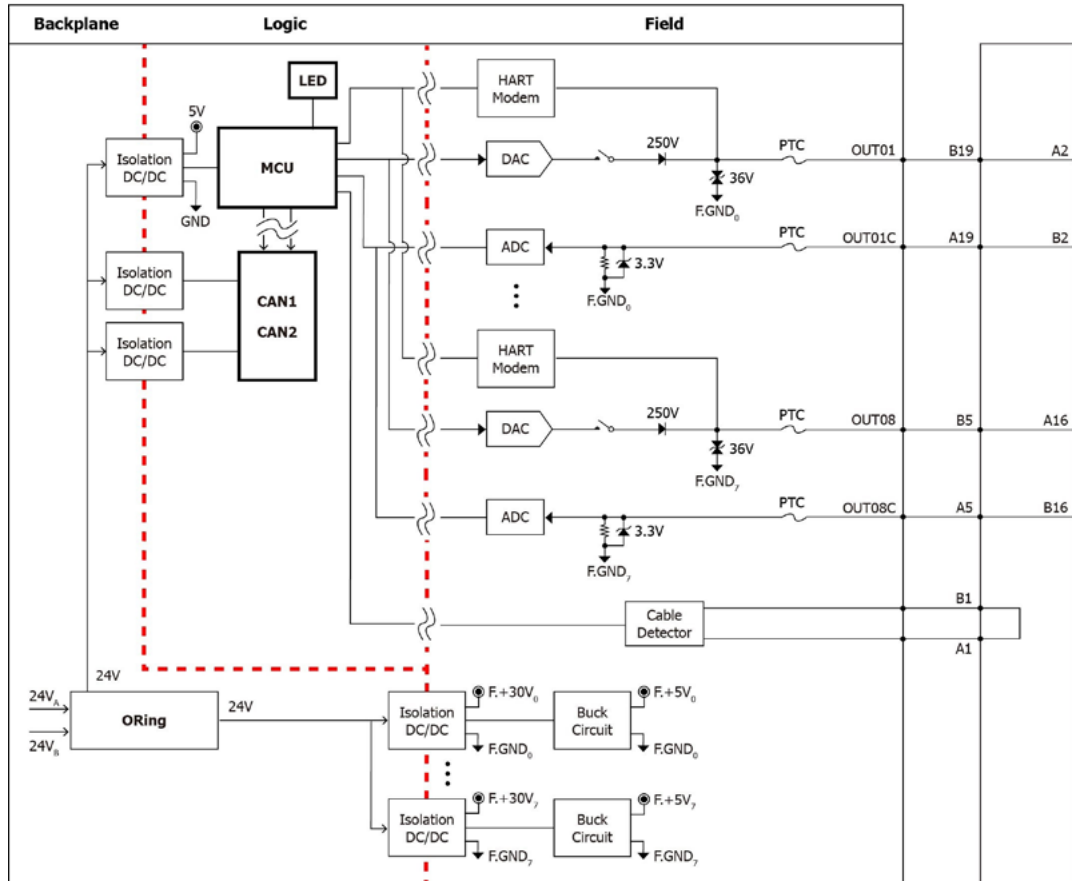
R-9028CH is a 16-bit 8-channel isolated current output module. Users can customize the power on value and safety value through the setting software. It has an error value of $\pm 0.05\%$ to achieve high accuracy application. It also has a built-in HART master interface, which can remotely maintain equipment through HART. It also provides 3000 VDC isolation between the channels and the backplane bus, making it better able to prevent noise interference in industrial environments without affecting the RIO-98x0 system.

Specifications

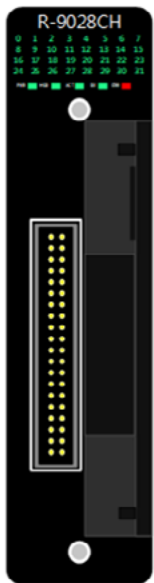
Features	
Redundant	Yes (Switching time < 1ms)
Disconnection Detection	Yes
Over-Current Protection	Yes
HART	Yes, supports HART master
Power-on Value	Yes
Safety Value	Yes
LED Indicator	1 PWR, 1 MOD, 1 ACT, 1 DX, 1 ERR LED 0~7 for CH Hi/Lo Alarm LED 16~23 for CH Break Line
Analog Output	
Number of Channels	8
Type	4~20 mA (Support $\pm 25\%$ overrange)
Max. Current	24 mA
Resolution	16 bit
Accuracy	$\pm 0.05\%$ FSR
Zero Drift	± 1.5 ppm/°C
Span Drift	± 3 ppm/°C
Output Capability	<1K Ω
Date Range	-2500~12500 (0~24 mA)
Isolation	3000 VDC

HART	
Mode	Master, Monodrop (Point-to-Point)
Certification	
EMC	EN 61000-6-2 (EMS) EN 61000-6-4 (EMI) IEC/EN 61000-4-2 (ESD) IEC/EN 61000-4-4 (EFT)
General	
Termination Board	RDB-S09 / RDB-D09
Max. Power Consumption	5.6 W
Operating Temp.	-25 ~ 70 °C
Storage Temp.	-30 ~ 75 °C
Humidity	5 ~ 95 % RH, Non-condensing
Weight	360 g
Dimensions (WxLxH)	33 mm x 129 mm x 130 mm

I/O Structure

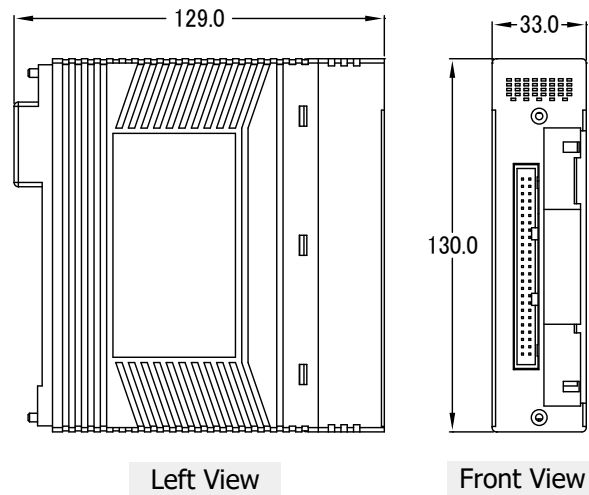


Pin Assignment



Pin Assignment Name	Terminal No.	Pin Assignment Name
X	A1	B1
OUT01	A2	B2
X	A3	B3
OUT02	A4	B4
X	A5	B5
OUT03	A6	B6
X	A7	B7
OUT04	A8	B8
X	A9	B9
OUT05	A10	B10
X	A11	B11
OUT06	A12	B12
X	A13	B13
OUT07	A14	B14
X	A15	B15
OUT08	A16	B16
X	A17	B17
X	A18	B18
X	A19	B19
BK	A20	B20

Dimensions (Units: mm)



Ordering Information

R-9028CH CR	8-ch isolated current output redundant module with HART master interface (RoHS)
--------------------	---

Accessories

RDB-S09 CR	Termination board for single isolated analog modules and single pulse input modules (RoHS)
RDB-D09 CR	Termination board for duplex isolated analog modules and duplex pulse input modules (RoHS)